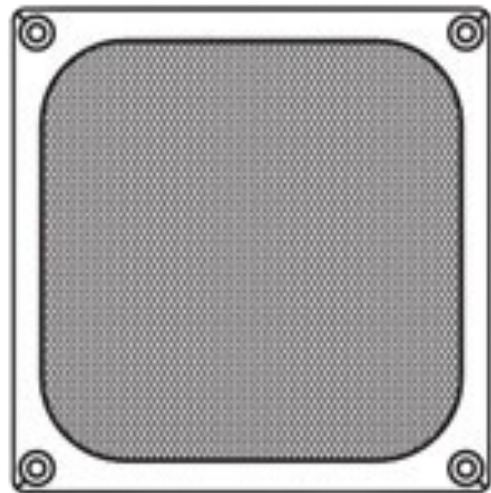
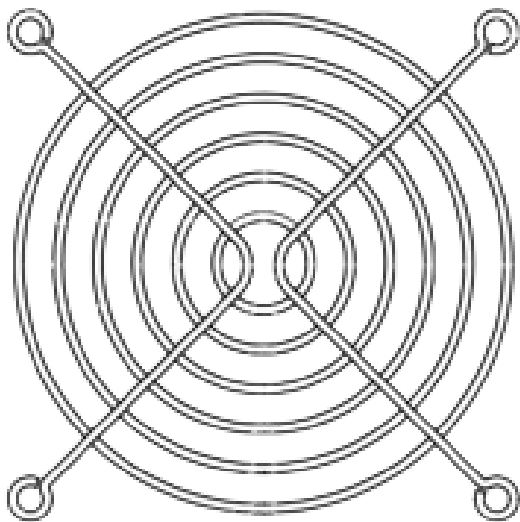


HIGHLAND

Finger Guards, Fan Filter Screens and Kits

motorsandfans.co.uk

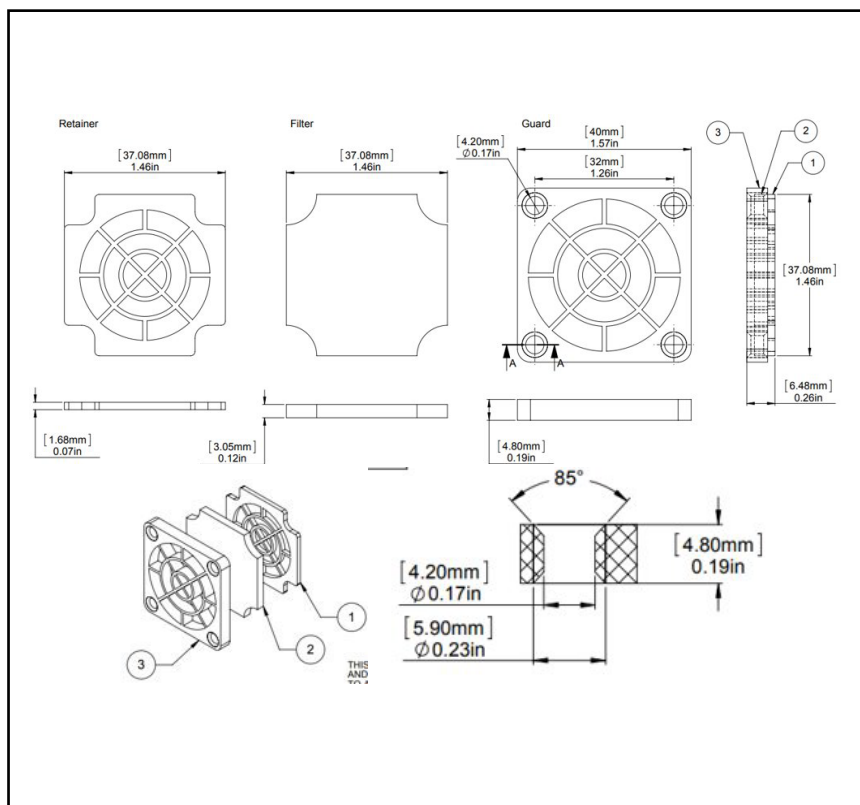


Features

- Protects users from harm
- Prevents dust contamination
- Fixing centres 32mm x 32mm for 40mm fan
- Fan Filter Kit
- Plastic UL94V-0 Retainer
- Polyurethane Foam UL94HF-1 30PPI Filter
- Plastic UL94V-0 Guard

Highland Fan Filter Kit

Part Number: HIG-PF40



Product Description

- Our 40mm Fan Filter Kit is designed to act as a finger guard and incorporates a filter.
- Filter made from Polyurethane Foam UL94HF-1 30PPI material for exceptional durability and longevity.
- Protects users from harm and equipment from damage.
- Designed to fit fans with a frame size of 40mm.
- Fixing centres 32mm x 32mm ± 0.5 mm, ensuring a perfect fit for your fan.
- Plastic UL94V-0 materials, RoHS compliant and free from hazardous materials.

General Specifications

Guard Type	40mm fan filter kit
Retainer Material	Plastic UL94V-0
Filter Material	Polyurethane Foam UL94HF-1 30PPI
Guard Material	Plastic UL94V-0
For Use With	40mm axial fans
Weight (g) per part:	8
Tariff Code:	84149000

Mechanical Specifications

Fan Size	40mm
Fixing centres	32mm X 32mm +/-0.5mm
Length	40mm
Width	40mm
Thickness	6.48mm
Mounting Hole Diameter	4.20mm

Approvals

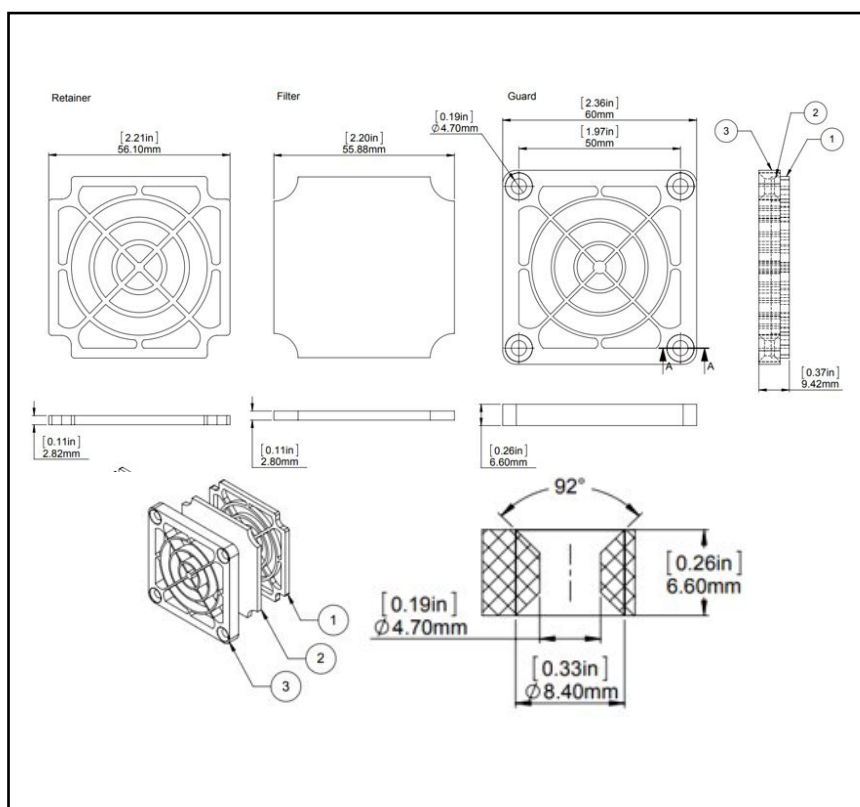
Compliance/Certifications	RoHS Compliant
---------------------------	----------------

Features

- Protects users from harm
- Prevents dust contamination
- Fixing centres 50mm x 50mm for 60mm fan
- Fan Filter Kit
- Plastic UL94V-0 Retainer
- Polyurethane Foam UL94HF-1 30PPI Filter
- Plastic UL94V-0 Guard

Highland Fan Filter kit

Part Number: HIG-PF60



Product Description

- Our 60mm Fan Filter Kit is designed to act as a finger guard and incorporates a filter.
- Filter made from Polyurethane Foam UL94HF-1 30PPI material for exceptional durability and longevity.
- Protects users from harm and equipment from damage.
- Designed to fit fans with a frame size of 60mm.
- Fixing centres 50mm x 50mm ± 0.5 mm, ensuring a snug fit for your fan.
- Plastic UL94V-0 materials, RoHS compliant, and free from hazardous materials.

General Specifications

Guard Type	60mm fan filter kit
Retainer Material	Plastic UL94V-0
Filter Material	Polyurethane Foam UL94HF-1 30PPI
Guard Material	Plastic UL94V-0
For Use With	60mm axial fans
Weight (g) per part:	11
Tariff Code:	84149000

Mechanical Specifications

Fan Size	60mm
Fixing centres	50mm x 50mm
Length	60mm
Width	60mm
Thickness	9.42mm
Mounting Hole Diameter	4.70mm

Approvals

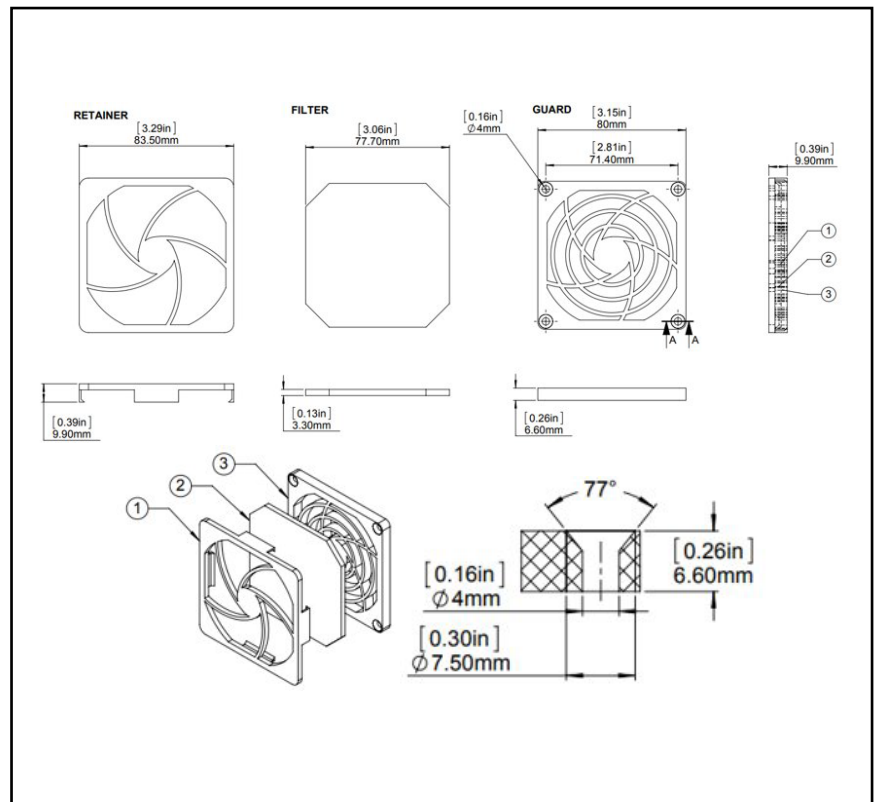
Compliance/Certifications	RoHS Compliant
---------------------------	----------------

Features

- Protects users from harm
- Prevents dust contamination
- Fixing centres 71.40mm x 71.40mm for 80mm fan
- Fan Filter Kit
- Plastic UL94V-0 Retainer
- Polyurethane Foam UL94HF-1 45PPI Filter
- Plastic UL94V-0 Guard

Highland Fan Filter Kit

Part Number: HIG-PF80



Product Description

- Our 80mm Fan Filter Kit is designed to act as a finger guard and incorporates a filter.
- Filter made from Polyurethane Foam UL94HF-1 45PPI material for exceptional durability and longevity.
- Protects users from harm and equipment from damage.
- Designed to fit fans with a frame size of 80mm.
- Fixing centres 71.40mm x 71.40mm ± 0.5 mm, ensuring a perfect fit for your fan.
- Plastic UL94V-0 materials, RoHS compliant and free from hazardous materials.

General Specifications

Guard Type	80mm fan filter kit
Retainer Material	Plastic UL94V-0
Filter Material	Polyurethane Foam UL94HF-1 45PPI
Guard Material	Plastic UL94V-0
For Use With	80mm axial fans
Weight (g) per part:	19
Tariff Code:	84149000

Mechanical Specifications

Fan Size	80mm
Fixing centres	71.40mm x 71.40mm
Length	83.5mm
Width	83.5mm
Thickness	9.90mm
Mounting Hole Diameter	4mm

Approvals

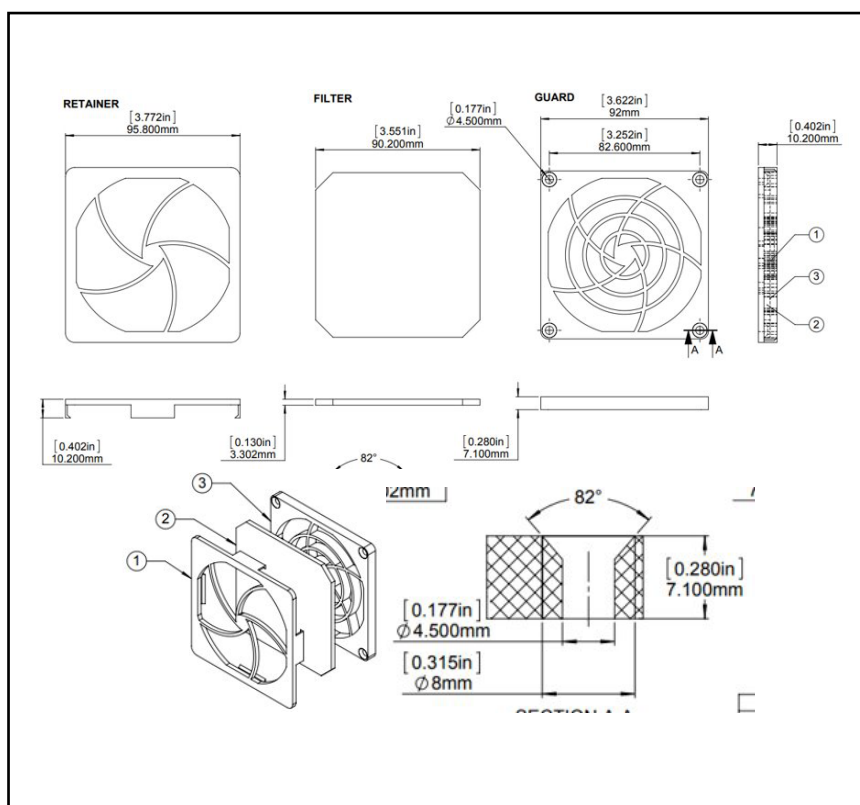
Compliance/Certifications	RoHS Compliant
----------------------------------	----------------

Features

- Protects users from harm
- Prevents dust contamination
- Fixing centres 82.60mm x 82.60mm for 92mm fan
- Fan Filter Kit
- Plastic UL94V-0 Retainer
- Polyurethane Foam UL94HF-1 45PPI Filter
- Plastic UL94V-0 Guard

Highland Fan Filter Kit

Part Number: HIG-PF92



Product Description

- Our 92mm Fan Filter Kit is designed to act as a finger guard and incorporates a filter.
- Filter made from Polyurethane Foam UL94HF-1 45PPI material for exceptional durability and longevity.
- Protects users from harm and equipment from damage.
- Designed to fit fans with a frame size of 92mm.
- Fixing centres 82.60mm x 82.60mm ± 0.5 mm, ensuring a perfect fit for your fan.
- Plastic UL94V-0 materials, RoHS compliant and free from hazardous materials.

General Specifications

Guard Type	92mm fan filter kit
Retainer Material	Plastic UL94V-0
Filter Material	Polyurethane Foam UL94HF-1 45PPI
Guard Material	Plastic UL94V-0
For Use With	92cm axial fans
Weight (g) per part:	25
Tariff Code:	84149000

Mechanical Specifications

Fan Size	92mm
Fixing centres	82.60mm x 82.60mm x
Length	95.8mm
Width	95.8mm
Thickness	10.20mm
Mounting Hole Diameter	4.50mm

Approvals

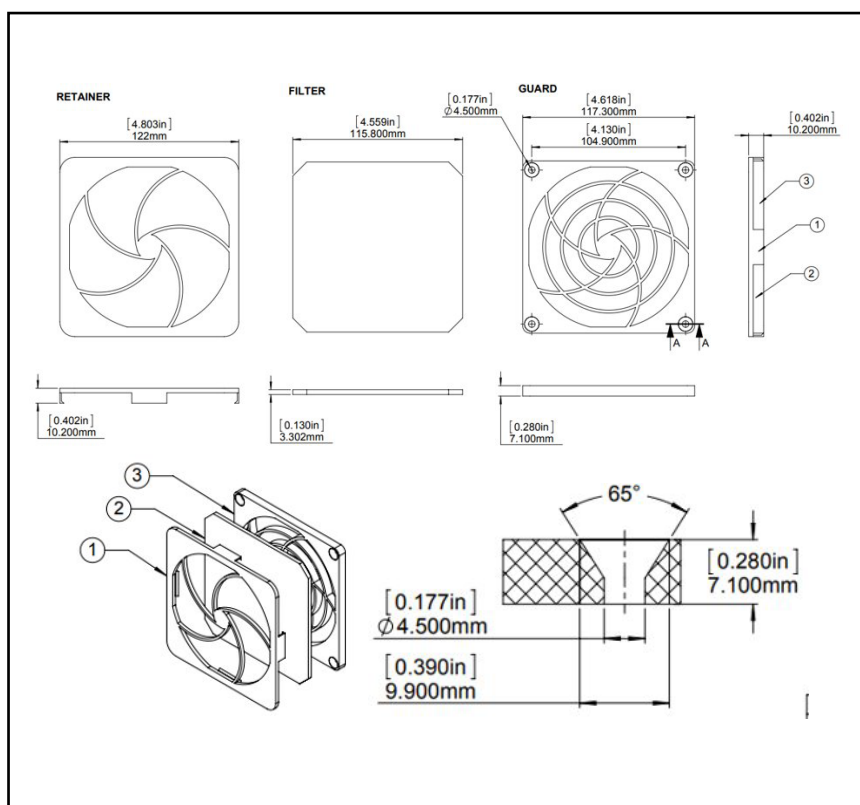
Compliance/Certifications	RoHS Compliant
----------------------------------	----------------

Features

- Protects users from harm
- Prevents dust contamination
- Fixing centres
104.90mm x
104.90mm for 120mm fan
- Fan Filter Kit
- Plastic UL94V-0 Retainer
- Polyurethane Foam UL94HF-1 45PPI Filter
- Plastic UL94V-0 Guard

Highland Fan Filter Kit

Part Number: HIG-PF120



Product Description

- Our 120mm Fan Filter Kit is designed to act as a finger guard and incorporates a filter.
- Filter made from Polyurethane Foam UL94HF-1 45PPI material for exceptional durability and longevity.
- Protects users from harm and equipment from damage.
- Designed to fit fans with a frame size of 120mm.
- Fixing centres 104.90mm x 104.90mm \pm 0.5mm, ensuring a perfect fit for your fan.
- Plastic UL94V-0 materials, RoHS compliant and free from hazardous materials.

General Specifications

Guard Type	120mm fan filter kit
Retainer Material	Plastic UL94V-0
Filter Material	Polyurethane Foam UL94HF-1 45PPI
Guard Material	Plastic UL94V-0
For Use With	120mm axial fans
Weight (g):	42
Tariff Code:	84149000

Mechanical Specifications

Fan Size	120mm
Fixing centres	104.90mm x 104.90mm
Length	122mm
Width	122mm
Thickness	10.20mm
Mounting Hole Diameter	4.50mm

Approvals

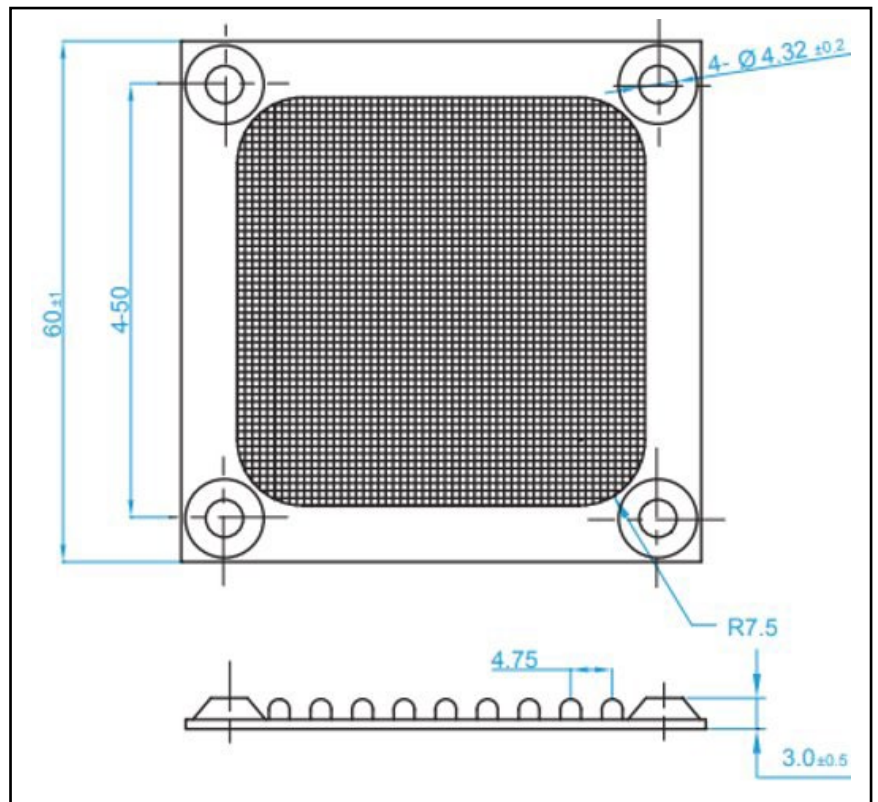
Compliance/Certifications	RoHS Compliant
----------------------------------	----------------

Features

- Aluminium Frame
- Stainless Steel Mesh
- Cleanable/washable
- Fan Filter
- Shields EMI/RFI

Highland Fan Filter Screen

Part Number: HIG-S60



Product Description

- Protects cooling fans from damage caused by dirt and dust build-up and shields from EMI/RFI.
- The Frame is made from 0.6mm natural aluminium, with #24 US mesh (690 micron) filter made from stainless steel for exceptional durability and longevity.
- Designed to fit fans with a frame size of 60mm.
- Fixing centres of 50mm x 50mm ± 0.5 mm, ensuring a perfect fit for your fan.
- RoHS and REACH compliant, ensuring safety and free from hazardous materials.
- Various plating styles are available upon request for a perfect finish.

General Specifications

Guard Type	60mm fan screen
Frame Material	Aluminium
Frame Finish	Cleaning
Mesh Material	Stainless Steel
For Use With	60mm axial fans
Weight (g) per part:	20
Tariff Code:	84149000

Mechanical Specifications

Fan Size	60mm
Fixing Centres	50mm x 50mm
Length	60mm
Width	60mm
Thickness	3mm
Mounting Hole Diameter	4.32mm

Approvals

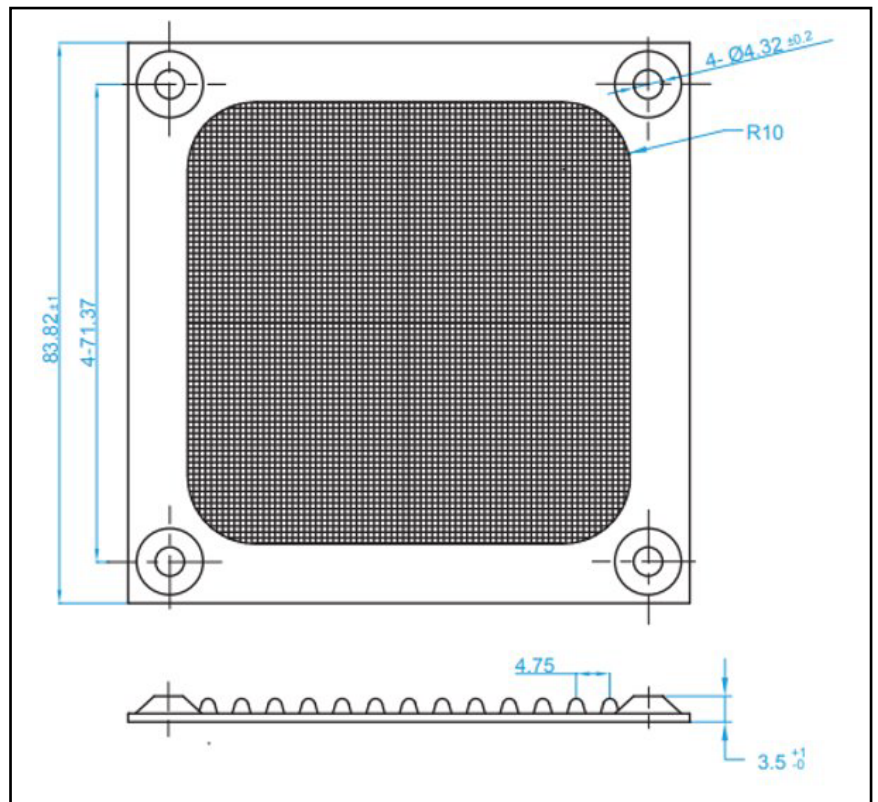
Compliance/Certifications	RoHS Compliant
----------------------------------	----------------

Features

- Aluminium Frame
- Stainless Steel Mesh
- Cleanable/washable
- Fan Filter
- Shields EMI/RFI

Highland Fan Filter Screen

Part Number: HIG-S80



Product Description

- Protects cooling fans from damage caused by dirt and dust build-up and shields from EMI/RFI.
- The Frame is made from 0.6mm natural aluminium, with #24 US mesh (690 micron) filter made from stainless steel for exceptional durability and longevity.
- Designed to fit fans with a frame size of 80mm.
- Fixing centres of 71.37mm x 71.37mm \pm 0.5mm, ensuring a perfect fit for your fan.
- RoHS and REACH compliant, ensuring safety and free from hazardous materials.
- Various plating styles are available upon request for a perfect finish.

General Specifications

Guard Type	80mm fan screen
Frame Material	Aluminium
Frame Finish	Cleaning
Mesh Material	Stainless Steel
For Use With	80mm axial fans
Weight (g):	20
Tariff Code:	84149000

Mechanical Specifications

Fan Size	80mm
Fixing centres	71.37mm x 71.37mm
Length	83.82mm
Width	83.82mm
Thickness	3.5mm
Mounting Hole Diameter	4.32mm

Approvals

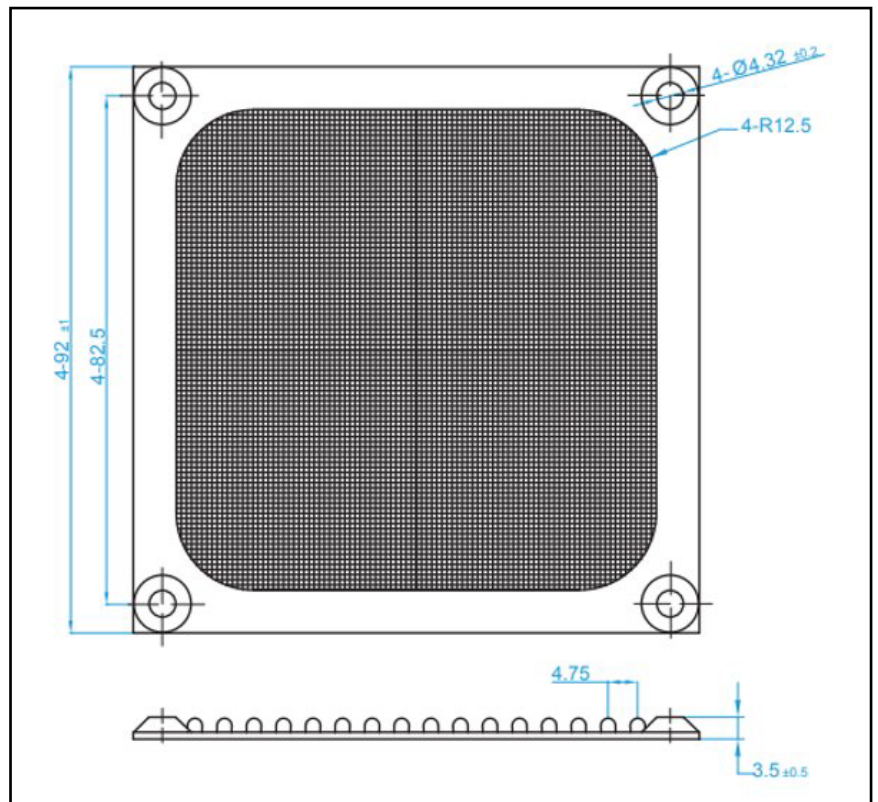
Compliance/Certifications	RoHS Compliant
----------------------------------	----------------

Features

- Aluminium Frame
- Stainless Steel Mesh
- Cleanable/washable
- Fan Filter
- Shields EMI/RFI

Highland Fan Filter Screen

Part Number: HIG-S92



Product Description

- Protects cooling fans from damage caused by dirt and dust build-up and shields from EMI/RFI.
- The Frame is made from 0.6mm natural aluminium, with #24 US mesh (690 micron) filter made from stainless steel for exceptional durability and longevity.
- Designed to fit fans with a frame size of 92mm.
- Fixing centres of 82.5mm x 82.5mm \pm 0.5mm, ensuring a perfect fit for your fan.
- RoHS and REACH compliant, ensuring safety and free from hazardous materials.
- Various plating styles are available upon request for a perfect finish.

General Specifications

Guard Type	92mm fan screen
Frame Material	Aluminium
Frame Finish	Cleaning
Mesh Material	Stainless Steel
For Use With	92mm axial fans
Weight (g):	20
Tariff Code:	84149000

Mechanical Specifications

Fan Size	92mm
Fixing centres	82.5mm x 82.5mm
Length	92mm
Width	92mm
Thickness	3.5mm
Mounting Hole Diameter	4.32mm

Approvals

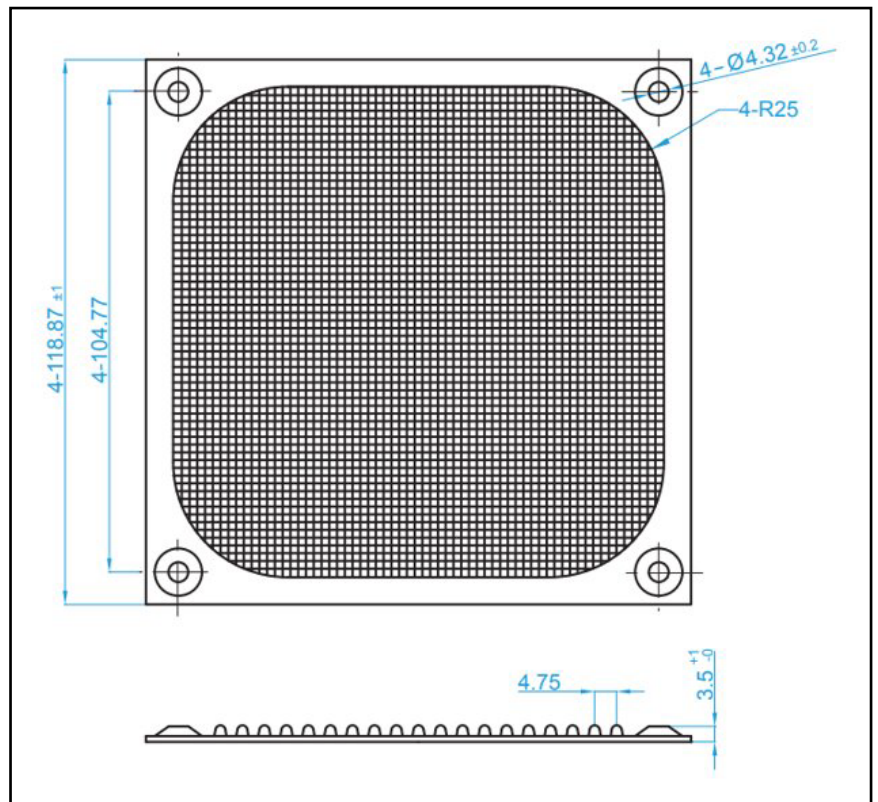
Compliance/Certifications	RoHS Compliant
----------------------------------	----------------

Features

- Aluminium Frame
- Stainless Steel Mesh
- Cleanable/washable
- Fan Filter
- Shields EMI/RFI

Highland Fan Filter Screen

Part Number: HIG-S120



Product Description

- Protects cooling fans from damage caused by dirt and dust build-up and shields from EMI/RFI.
- The Frame is made from 0.6mm natural aluminium, with #24 US mesh (690 micron) filter made from stainless steel for exceptional durability and longevity.
- Designed to fit fans with a frame size of 120mm.
- Fixing centres of 104.77mm x 104.77mm \pm 0.5mm, ensuring a perfect fit for your fan.
- RoHS and REACH compliant, ensuring safety and free from hazardous materials.
- Various plating styles are available upon request for a perfect finish.

General Specifications

Guard Type	120mm fan screen
Frame Material	Aluminium
Frame Finish	Cleaning
Mesh Material	Stainless Steel
For Use With	120mm axial fans
Weight (g):	20
Tariff Code:	84149000

Mechanical Specifications

Fan Size	118.87mm
Fixing Centres	104.77mm x 104.77mm
Length	118.87mm
Width	118.87mm
Thickness	3.5mm
Mounting Hole Diameter	4.32mm

Approvals

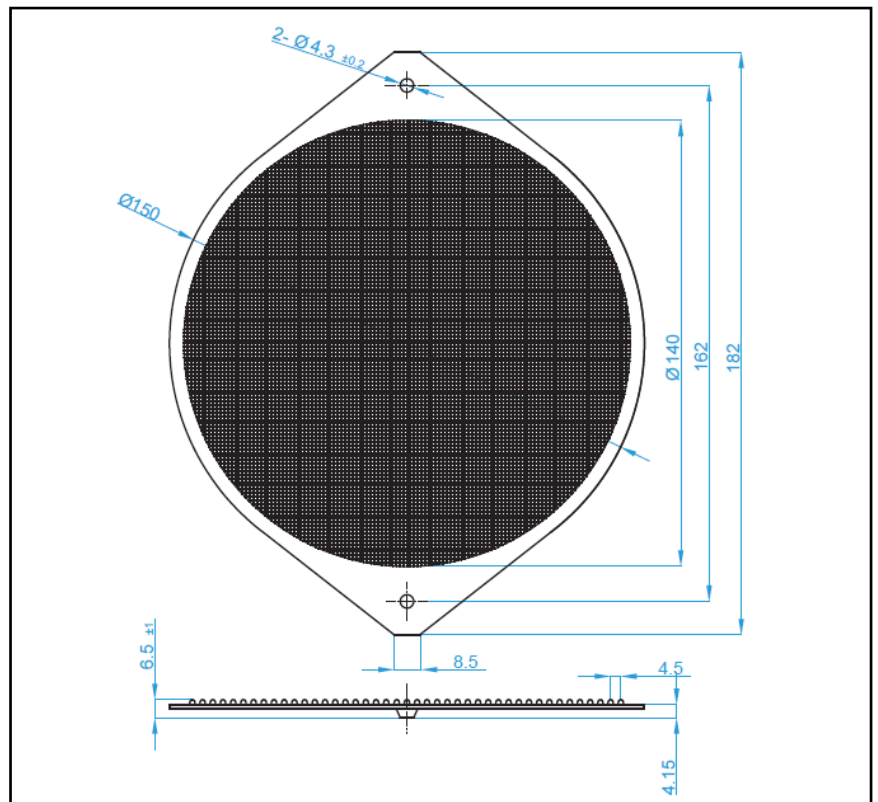
Compliance/Certifications	RoHS Compliant
----------------------------------	----------------

Features

- Aluminium Frame
- Stainless Steel Mesh
- Cleanable/washable
- Fan Filter
- Shields EMI/RFI

Highland Fan Filter Screen

Part Number: **HIG-S162**



Product Description

- Protects cooling fans from damage caused by dirt and dust build-up and shields from EMI/RFI.
- The Frame is made from 0.6mm natural aluminium, with #24 US mesh (690 micron) filter made from stainless steel for exceptional durability and longevity.
- Designed to fit 172mm diameter by 150mm side cut fans.
- Fixing centres of 162mm x 162mm ± 0.5 mm, ensuring a suitable fit for your fan.
- RoHS and REACH compliant, ensuring safety and free from hazardous materials.
- Various plating styles are available upon request for a perfect finish.

General Specifications

Guard Type	162mm fan screen
Frame Material	Aluminium
Frame Finish	Cleaning
Mesh Material	Stainless Steel
For Use With	172mm diameter by 150mm, side cut axial fans
Weight (g):	29
Tariff Code:	84149000

Mechanical Specifications

Fan Filter Size	182mm
Fixing Centres	162mm x 162mm
Length	182mm
Width	150mm
Thickness	4.8mm
Mounting Hole Diameter	4.3mm

Approvals

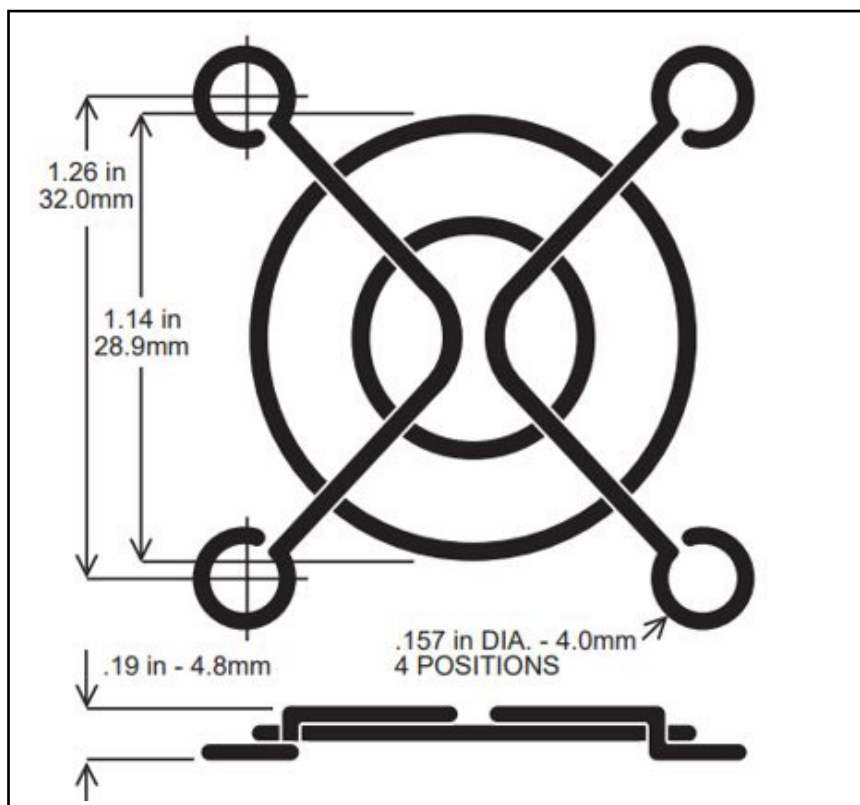
Compliance/Certifications	RoHS Compliant
----------------------------------	----------------

Features

- Protects equipment users from harm
- Bright Nickel Chrome Plating
- Steel Finger guard
- Fixing centres 32mm by 32mm

Highland Finger Guard

Part Number: HIG-W40



Product Description

- Our 40mm Fan wire finger guard protects the fan from damage and equipment users from harm.
- Made from high-quality C1008 Steel material for exceptional durability and longevity.
- Plated with bright nickel chrome for extra protection against corrosion and wear and tear.
- Ring diameter of 1.6mm and rib diameter of 1.6mm.
- Fixing centres 32mm x 32mm ± 0.5 mm, ensuring a perfect fit for your 40mm fan.
- RoHS compliant, ensuring safety and free from hazardous materials.
- Various plating styles are available upon request for a perfect finish.

General Specifications

Guard Type	40mm wire guard
Frame Material	C1008 Steel
Frame Finish	Bright nickel chrome
For Use With	9CRJ40, 9HVA40, 9CRA40, 9CRH40, 9CRE40, 9GAX40, 9GA40, 9HV40, 9GV40, 9CRD40, 9CRD40, 9WL40, 9WPA40, 9GA40, 109P40
Weight (g) per part:	44
Tariff Code:	84149000
Guard Type	40mm wire guard

Mechanical Specifications

Fan Size	40mm
Fixing centres	32mm x 32mm
Length	40mm
Width	40mm
Thickness	4.8mm
Mounting Hole Diameter	4mm

Approvals

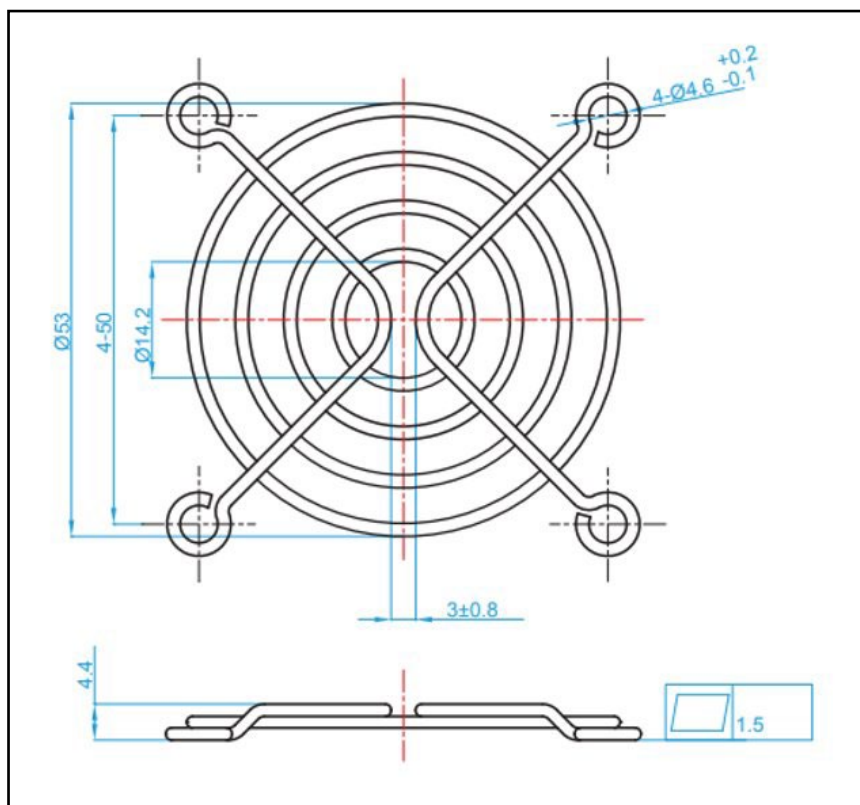
Compliance/Certifications	RoHS Compliant
----------------------------------	----------------

Features

- Protects equipment users from harm
- Bright Nickel Chrome Plating
- Steel Finger guard
- Fixing centers 50mm by 50mm

Highland Finger Guard

Part Number: HIG-W60



Product Description

- Our 60mm Fan wire finger guard protects the fan from damage and equipment users from harm.
- Made from high-quality C1008 Steel material for exceptional durability and longevity.
- Plated with bright nickel chrome for extra protection against corrosion and wear and tear.
- Ring diameter of 1.6mm and rib diameter of 1.6mm.
- Fixing centres 50mm x 50mm ± 0.5 mm, ensuring a perfect fit for your 60mm fan.
- RoHS compliant, ensuring safety and free from hazardous materials.
- Various plating styles are available upon request for a perfect finish.

General Specifications

Guard Type	60mm wire guard
Frame Material	C1008 Steel
Frame Finish	Bright nickel chrome
For Use With	60mm axial fans
Weight (g) per part:	14.5
Tariff Code:	84149000
Guard Type	60mm wire guard

Mechanical Specifications

Fan Size	60mm
Fixing centres	50mm x 50mm
Length	60mm
Width	60mm
Thickness	4.4mm
Mounting Hole Diameter	4.6mm

Approvals

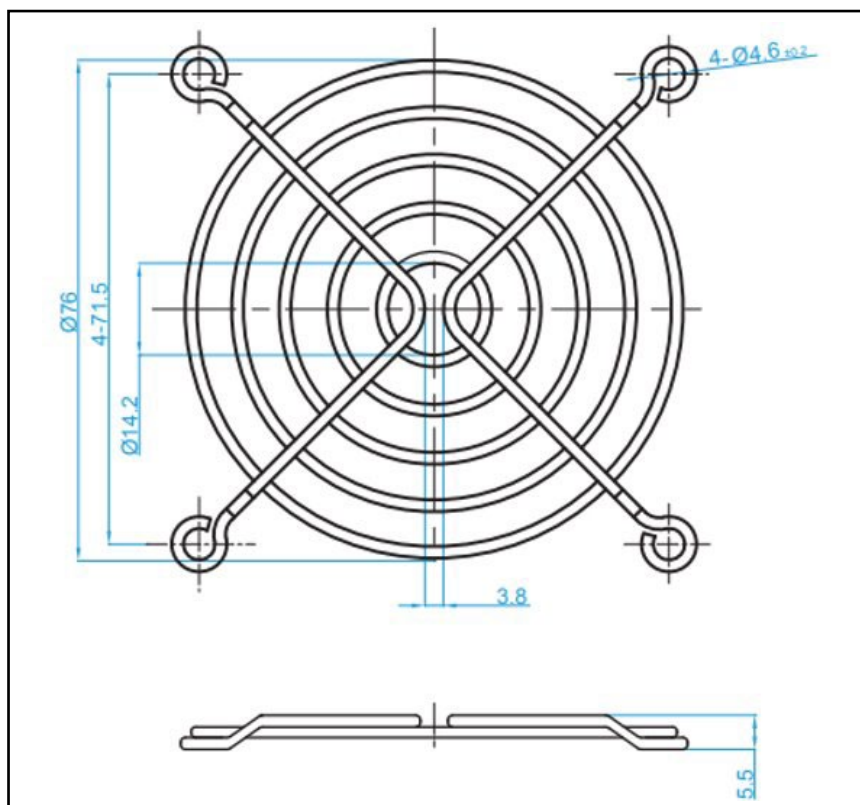
Compliance/Certifications	RoHS Compliant
---------------------------	----------------

Features

- Protects equipment users from harm
- Bright Nickel Chrome Plating
- Steel Finger guard
- Fixing centers 71.5mm by 71.5mm

Highland Finger Guard

Part Number: HIG-W80



Product Description

- Our 80mm Fan wire finger guard protects the fan from damage and equipment users from harm.
- Made from high-quality C1008 Steel material for exceptional durability and longevity.
- Plated with bright nickel chrome for extra protection against corrosion and wear and tear.
- Ring diameter of 1.8mm and rib diameter of 1.8mm.
- Fixing centres 71.5mm x 71.5mm \pm 0.5mm, ensuring a perfect fit for your 80mm fan.
- RoHS compliant, ensuring safety and free from hazardous materials.
- Various plating styles are available upon request for a perfect finish.

General Specifications

Guard Type	80mm wire guard
Frame Material	C1008 Steel
Frame Finish	Bright nickel chrome
For Use With	80mm axial fans
Weight (g):	21
Tariff Code:	84149000
Guard Type	80mm wire guard

Mechanical Specifications

Fan Size	80mm
Fixing centres	71.5mm x 71.5mm
Length	80mm
Width	80mm
Thickness	5.5mm
Mounting Hole Diameter	4.6mm

Approvals

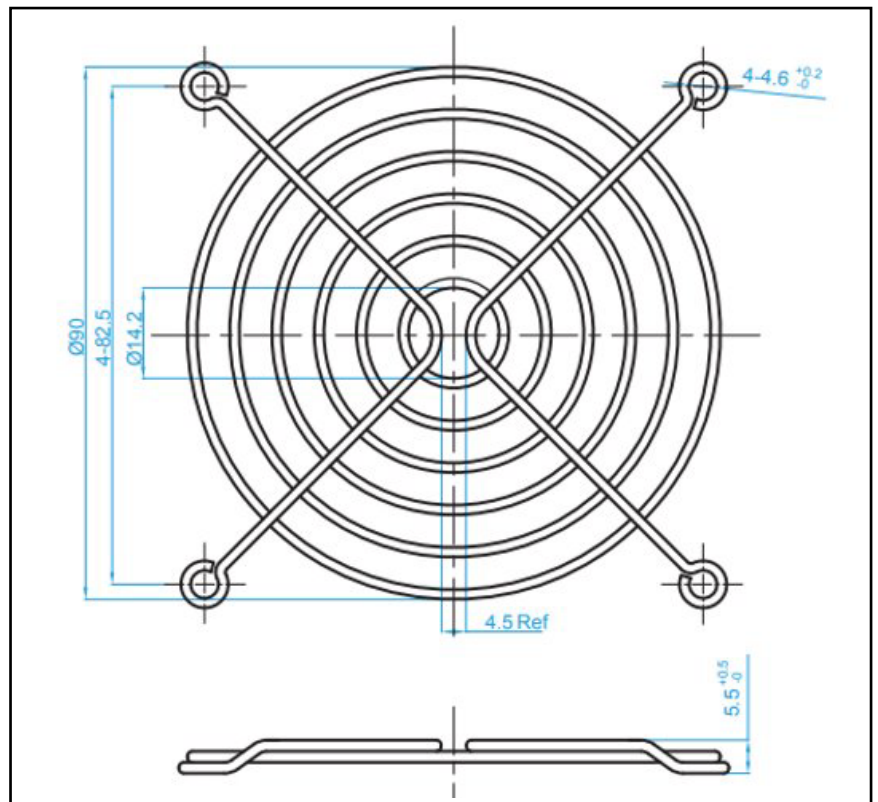
Compliance/Certifications	RoHS Compliant
---------------------------	----------------

Features

- Protects equipment users from harm
- Bright Nickel Chrome Plating
- Steel Finger guard
- Fixing centers 82.5mm by 82.5mm

Highland Finger Guard

Part Number: HIG-W92



Product Description

- Our 92mm Fan wire finger guard protects the fan from damage and equipment users from harm.
- Made from high-quality C1008 Steel material for exceptional durability and longevity.
- Plated with bright nickel chrome for extra protection against corrosion and wear and tear.
- Ring diameter of 1.6mm and rib diameter of 1.8mm.
- Fixing centres 82.5mm x 82.5mm \pm 0.5mm, ensuring a perfect fit for your 92mm fan.
- RoHS compliant, ensuring safety and free from hazardous materials.
- Various plating styles are available upon request for a perfect finish.

General Specifications

Guard Type	92mm wire guard
Frame Material	C1008 Steel
Frame Finish	Bright nickel chrome
For Use With	92mm axial fans
Weight (g):	29
Tariff Code:	84149000
Guard Type	92mm wire guard

Mechanical Specifications

Fan Size	92mm
Fixing centres	82.5mm x 82.5mm
Length	90mm
Width	90mm
Thickness	5.5mm
Mounting Hole Diameter	4.6mm

Approvals

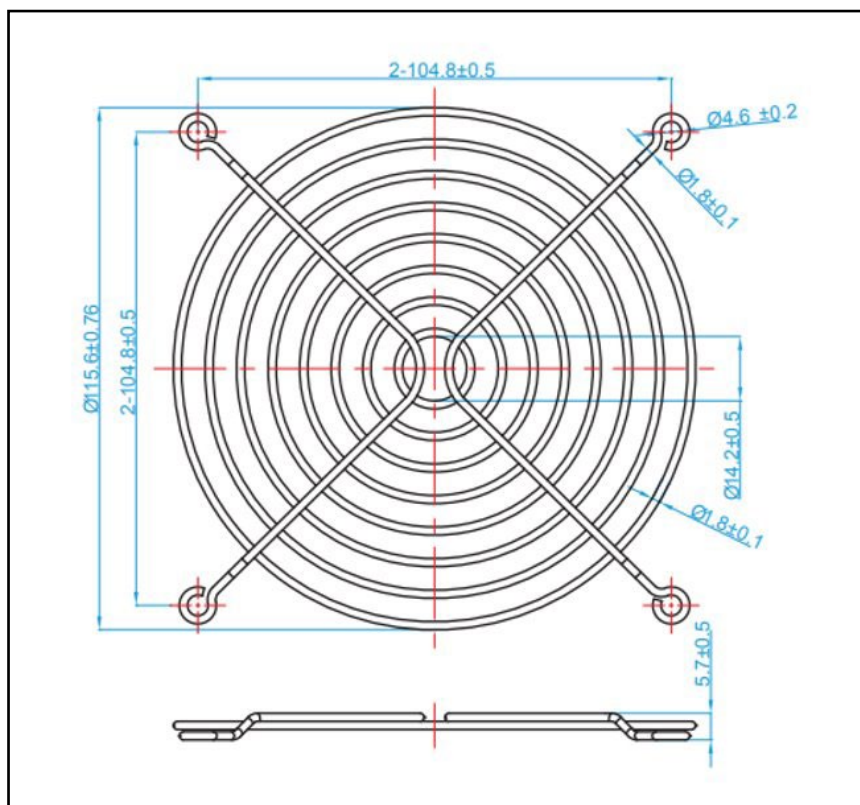
Compliance/Certifications	RoHS Compliant
---------------------------	----------------

Features

- Protects equipment users from harm
- Bright Nickel Chrome Plating
- Steel Finger guard
- Fixing centres 104.8mm by 104.8mm

Highland Finger Guard

Highland Part Number: HIG-W120



Product Description

- Our 120mm Fan wire finger guard protects the fan from damage and equipment users from harm.
- Made from high-quality C1008 Steel material for exceptional durability and longevity.
- Plated with bright nickel chrome for extra protection against corrosion and wear and tear.
- Ring diameter of 1.8mm and rib diameter of 1.8mm.
- Fixing centres 104.8mm x 104.8mm \pm 0.5mm, ensuring a perfect fit for your 120mm fan.
- RoHS compliant, ensuring safety and free from hazardous materials.
- Various plating styles are available upon request for a perfect finish.

General Specifications

Guard Type	120mm wire guard
Frame Material	C1008 Steel
Frame Finish	Bright nickel chrome
For Use With	120mm axial fans
Weight (g):	42
Tariff Code:	84149000
Guard Type	120mm wire guard

Mechanical Specifications

Fan Size	120mm
Fixing Centres	104.8mm x 104.8mm
Length	115.6mm
Width	104.8mm
Thickness	5.7mm
Mounting Hole Diameter	4.6mm

Approvals

Compliance/Certifications	RoHS Compliant
---------------------------	----------------