

HIGHLAND

PREMIUM COOLING SOLUTIONS

At **Highland**, excellence isn't just a standard, it's our legacy. With advanced cooling systems, we deliver solutions that set the benchmark for reliability, performance and customisation.



Unmatched Product Quality and Innovation

Highland products are engineered to exceed industry standards, delivering reliable performance in cooling. With fan accessories - including **finger guards**, **filter screens** and **filter kits** - designed to improve safety, airflow and equipment longevity.



Expert Support and Local Availability

With locally stocked inventory, Highland ensures swift delivery and dedicated support, providing seamless service for all your needs.



Customisable, Tailored Solutions

Backed by decades of experience, Highland offers flexible solutions precisely designed to meet your unique needs in cooling.

**Elevate your design with Highland:
where precision meets innovation.**

Available exclusively through **EAO Ltd.**



+44 1444 236000



www.motorsandfans.co.uk



**EAO Ltd., Highland House, Albert
Drive, Burgess Hill, RH15 9TN**

ENGINEERED FOR RELIABILITY. BUILT FOR INDUSTRIAL ENVIRONMENTS.



HIGHLAND AC FANS.

Introducing **Highland AC Centrifugal and Axial Fans** – cost-competitive, rugged and engineered for dependable cooling performance. Featuring durable AC induction motors with metal frames, these high quality fans are built to handle demanding environments.



Rugged construction – metal frames with metal or plastic impeller options.



Round and square frames – from 80mm up to 280mm.



Approved to international standards and certificates (CE, TUV and UL).



Local expert support – swift help from knowledgeable specialists.

Powerful. Durable. Versatile. **Highland AC Centrifugal and Axial Fans** deliver performance you can count on.

Get in touch to learn more.

Highland AC Centrifugal Fan Lineup

Full datasheets are shown below the summary table:

Part Number	Fan size	Rated Speed	Power (W)	Rated Voltage	Max. Airflow CFM	Max. Airflow m ³ /min	Max Static Pressure Pa	Connection Method	Material Housing/Impellor
HIG-C133RP115S05I54L	Centrifugal AC Fan 133Øx80	3200	28	115 VAC	165	4.67	205.9	Lead wire	Plastic Impeller
HIG-C133RP230S05I54L	Centrifugal AC Fan 133Øx80	2800	23	230 VAC	145	4.106	147.1	Lead wire	Plastic Impeller
HIG-C175RP115H07I54L	Centrifugal AC Fan 175Øx65	2900	63	115 VAC	313	8.86	362.9	Lead wire	Plastic Impeller
HIG-C175RP115H09I54L	Centrifugal AC Fan 175Øx69	2900	63	115 VAC	313	8.86	362.9	Lead wire	Plastic Impeller
HIG-C175RP230H09I54L	Centrifugal AC Fan 175Øx69	2600	52	230 VAC	294	8.325	274.6	Lead wire	Plastic Impeller
HIG-C190RP115M10I54L	Centrifugal AC Fan 190Øx67	1600	48	115 VAC	224	6.34	274.6	Lead wire	Plastic Impeller
HIG-C190RP230M10I54L	Centrifugal AC Fan 190Øx67	2000	39	230 VAC	256	7.249	274.6	Lead wire	Plastic Impeller
HIG-C190RP115H08I54L	Centrifugal AC Fan 190Øx72	3100	80	115 VAC	304	8.61	500.1	Lead wire	Plastic Impeller
HIG-C190RP230H08I54L	Centrifugal AC Fan 190Øx72	2700	58	230 VAC	269	7.617	362.8	Lead wire	Plastic Impeller
HIG-C220RP115H06I54L	Centrifugal AC Fan 220Øx76	2950	115	115 VAC	550	15.57	539.4	Lead wire	Plastic Impeller
HIG-C220RP230H06I54L	Centrifugal AC Fan 220Øx76	2650	82	230 VAC	490	13.875	392.3	Lead wire	Plastic Impeller
HIG-C225RP115H01I54L	Centrifugal AC Fan 225Øx101	2500	145	115 VAC	635	17.98	627.6	Lead wire	Plastic Impeller
HIG-C225RP115L01I54L	Centrifugal AC Fan 225Øx101	1600	45	115 VAC	405	11.47	196.1	Lead wire	Plastic Impeller
HIG-C225RP230H01I54L	Centrifugal AC Fan 225Øx101	2500	109	230 VAC	636	18.01	509.9	Lead wire	Plastic Impeller
HIG-C225RP230L01I54L	Centrifugal AC Fan 225Øx101	1400	40	230 VAC	347	9.826	137.3	Lead wire	Plastic Impeller
HIG-C225RP115H02I54L	Centrifugal AC Fan 225Øx99	2500	145	115 VAC	635	17.98	627.6	Lead wire	Plastic Impeller
HIG-C225RP115L02I54L	Centrifugal AC Fan 225Øx99	1600	45	115 VAC	405	11.47	196.1	Lead wire	Plastic Impeller
HIG-C225RP230H02I54L	Centrifugal AC Fan 225Øx99	2500	109	230 VAC	636	18.01	509.9	Lead wire	Plastic Impeller
HIG-C225RP230L02I54L	Centrifugal AC Fan 225Øx99	1400	40	230 VAC	347	9.826	137.3	Lead wire	Plastic Impeller
HIG-C250RP115H03I54L	Centrifugal AC Fan 250Øx94	2700	142	115 VAC	648	18.35	676.7	Lead wire	Plastic Impeller
HIG-C250RP230H03I54L	Centrifugal AC Fan 250Øx94	2600	106	230 VAC	619	17.528	559	Lead wire	Plastic Impeller

Highland Centrifugal AC Fan

Part Number: HIG-C133RP115S05I54L

Features:

Size (mm): 133Øx80

Maintenance-Free Ball Bearings

Plastic Impeller

Insulation Class B, IP54

Thermally Protected (Auto Restart)

115 VAC



Product Description

Highland ϕ 133mm Round 80mm Thick Centrifugal Fan with Plastic Impeller, 115 VAC, Super Speed, AC Induction Capacitor Motor, IP54 Protection with Lead Wires

General Specification

Fan Type	Centrifugal
Operating Voltage	115 VAC
Hz	50/60
Speed (RPM)	2800/3200
Airflow - CFM	145/165
Airflow - cubic m ³ /hr	246.357/280.337
Airflow - m ³ /s	0.068/0.078
Pressure - mmH ² O	15/21
Pressure - inchH ² O	0.591/0.827
Pressure - Pa	147.1/205.94
Noise dB	62/65
Operating Temperature	-20°C to +70°C
Expected Life (H)	70K @ 25 / 45K @ 40 Degrees Centigrade
Weight (g)	800
Tariff Code	8414.59.6590

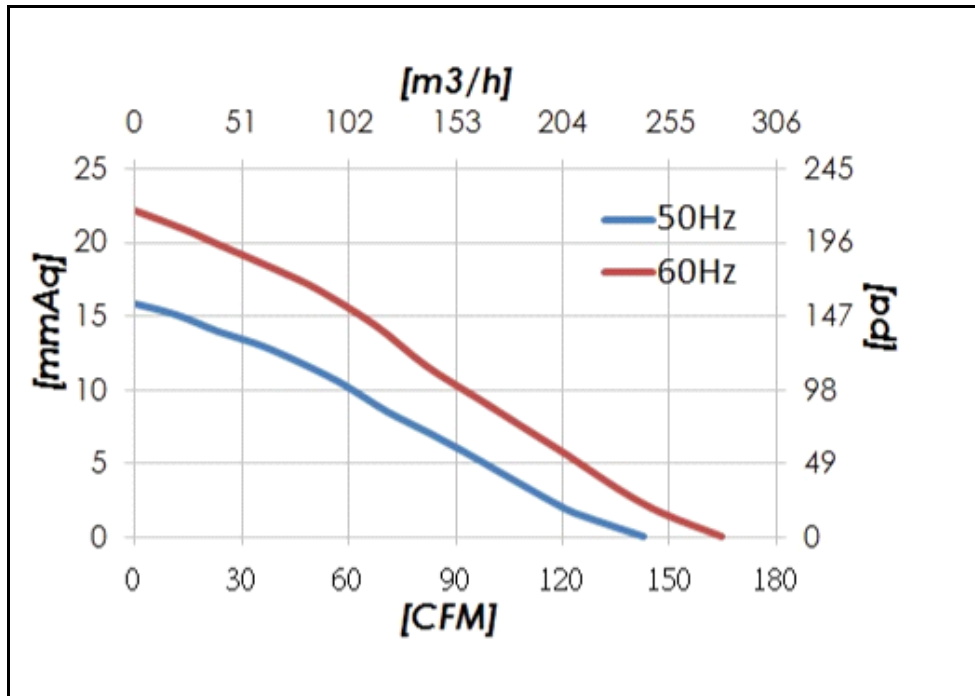
Mechanical Specifications

Fan Size	133 ϕ x80
Frame Material	Aluminium
Impeller	Plastic Impeller

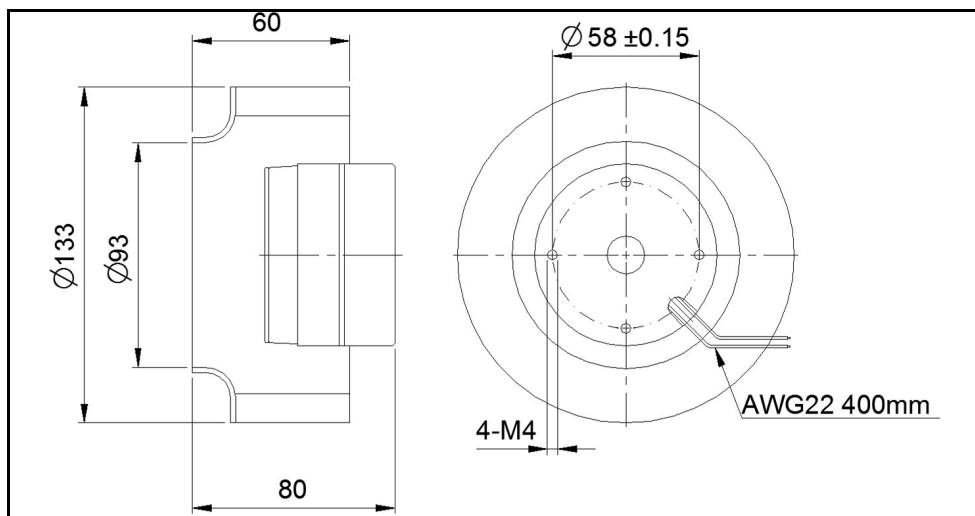
Approvals and Certificates

Approvals	CE	Y
	TUV	Y
	RoSH	Y
	UL	Y

Airflow Graph



Dimensional Drawing (mm)



Similar Products

Product:	Size:	Impeller Material	Speed	Noise	Weight
HIG-C133RP230S05I54L	133Øx80	Plastic Impeller	2800/3200	62/65	800
N/A					
N/A					
N/A					
N/A					

Finger Guard Accessory's

Product:	Guard Type	Fan Size	Weight (g)
N/A			
N/A			
N/A			

Additional Information

Minimum Order Quantity:	10
Box Quantity:	10
Pallet Quantity:	450
Weight Per Box:	8 KG
Weight Per Pallet:	360 KG
Size Per Box:	41×39×21
Size Per Pallet:	110*120*178

Products Must be ordered to a minimum order quantity, and in quantities relative to box quantities. Carriage is charged per box / or if enough ordered per pallet.

Highland Centrifugal AC Fan

Part Number: HIG-C133RP230S05I54L

Features:

Size (mm): 133Øx80

Maintenance-Free Ball Bearings

Plastic Impeller

Insulation Class B, IP54

Thermally Protected (Auto Restart)

230 VAC



Product Description

Highland ϕ 133mm Round 80mm Thick Centrifugal Fan with Plastic Impeller, 230 VAC, Super Speed, AC Induction Capacitor Motor, IP54 Protection with Lead Wires

General Specification

Fan Type	Centrifugal
Operating Voltage	230 VAC
Hz	50/60
Speed (RPM)	2800/3200
Airflow - CFM	145/165
Airflow - cubic m ³ /hr	246.357/280.337
Airflow - m ³ /s	0.068/0.078
Pressure - mmH ² O	15/21
Pressure - inchH ² O	0.591/0.827
Pressure - Pa	147.1/205.94
Noise dB	62/65
Operating Temperature	-20°C to +70°C
Expected Life (H)	70K @ 25 / 45K @ 40 Degrees Centigrade
Weight (g)	800
Tariff Code	8414.59.6590

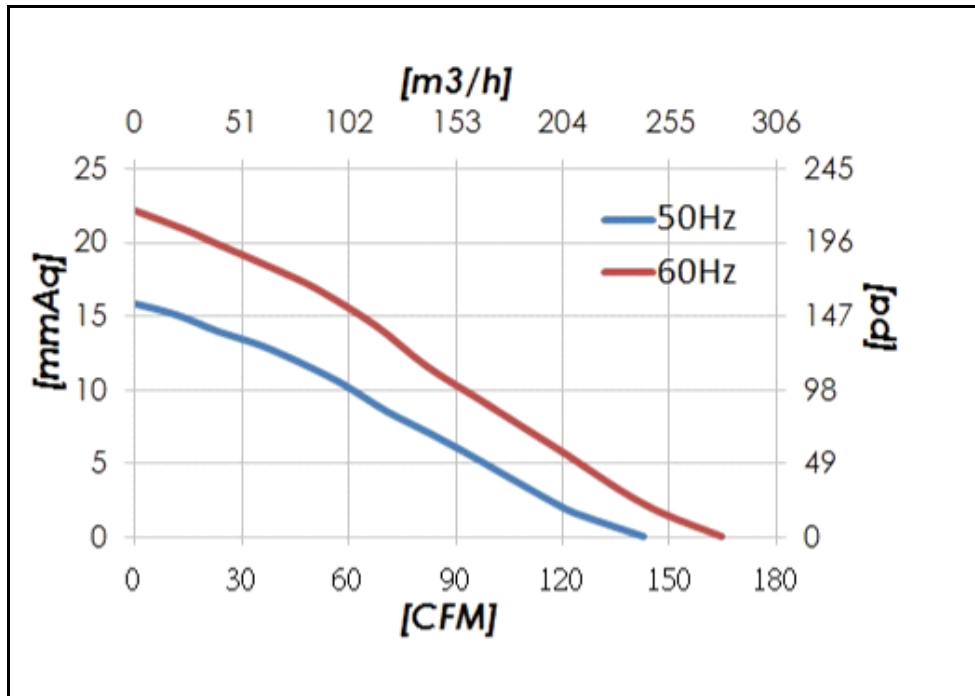
Mechanical Specifications

Fan Size	133 ϕ x80
Frame Material	Aluminium
Impeller	Plastic Impeller

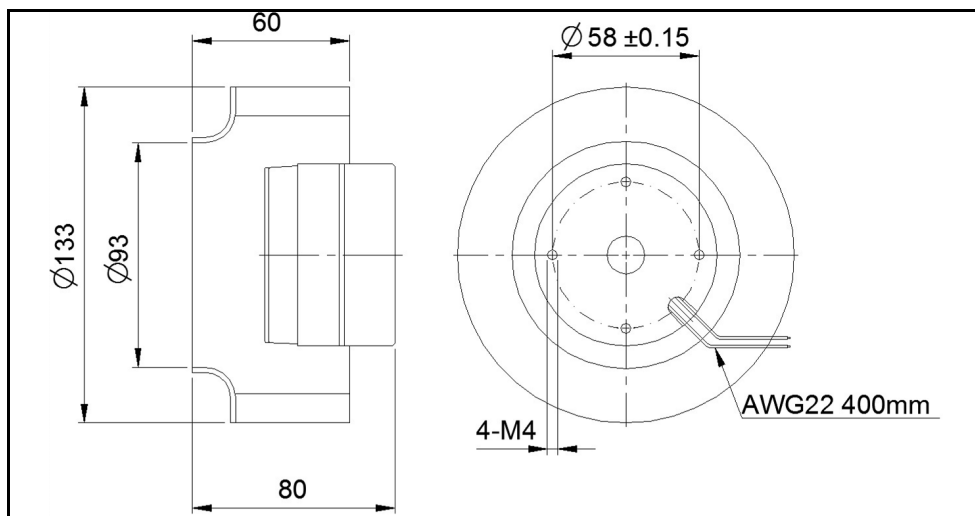
Approvals and Certificates

Approvals	CE	Y
	TUV	Y
	RoSH	Y
	UL	Y

Airflow Graph



Dimensional Drawing (mm)



Similar Products

Product:	Size:	Impeller Material	Speed	Noise	Weight
HIG-C133RP115S05I54L	133Øx80	Plastic Impeller	2800/3200	62/65	800
N/A					
N/A					
N/A					
N/A					

Finger Guard Accessory's

Product:	Guard Type	Fan Size	Weight (g)
N/A			
N/A			
N/A			

Additional Information

Minimum Order Quantity:	10
Box Quantity:	10
Pallet Quantity:	450
Weight Per Box:	8 KG
Weight Per Pallet:	360 KG
Size Per Box:	41×39×21
Size Per Pallet:	110*120*178

Products Must be ordered to a minimum order quantity, and in quantities relative to box quantities. Carriage is charged per box / or if enough ordered per pallet.

Highland Centrifugal AC Fan

Part Number: HIG-C175Rp115H07154L

Features:

Size (mm): 175Øx65

Maintenance-Free Ball Bearings

Plastic Impeller

Insulation Class B, IP54

Thermally Protected (Auto Restart)

115 VAC



Product Description

Highland ϕ 175mm Round 75mm Thick Centrifugal Fan with Plastic Impeller, 115 VAC, High Speed, AC Induction Capacitor Motor, IP54 Protection with Lead Wires

General Specification

Fan Type	Centrifugal
Operating Voltage	230 VAC
Hz	50/60
Speed (RPM)	2600/2900
Airflow - CFM	294/313
Airflow - cubic m ³ /hr	499.509/531.79
Airflow - m ³ /s	0.139/0.148
Pressure - mmH ² O	28/37
Pressure - inchH ² O	1.102/1.457
Pressure - Pa	274.587/362.847
Noise dB	66/68
Operating Temperature	-20°C to +70°C
Expected Life (H)	70K @ 25 / 45K @ 40 Degrees Centigrade
Weight (g)	870
Tariff Code	8414.59.6590

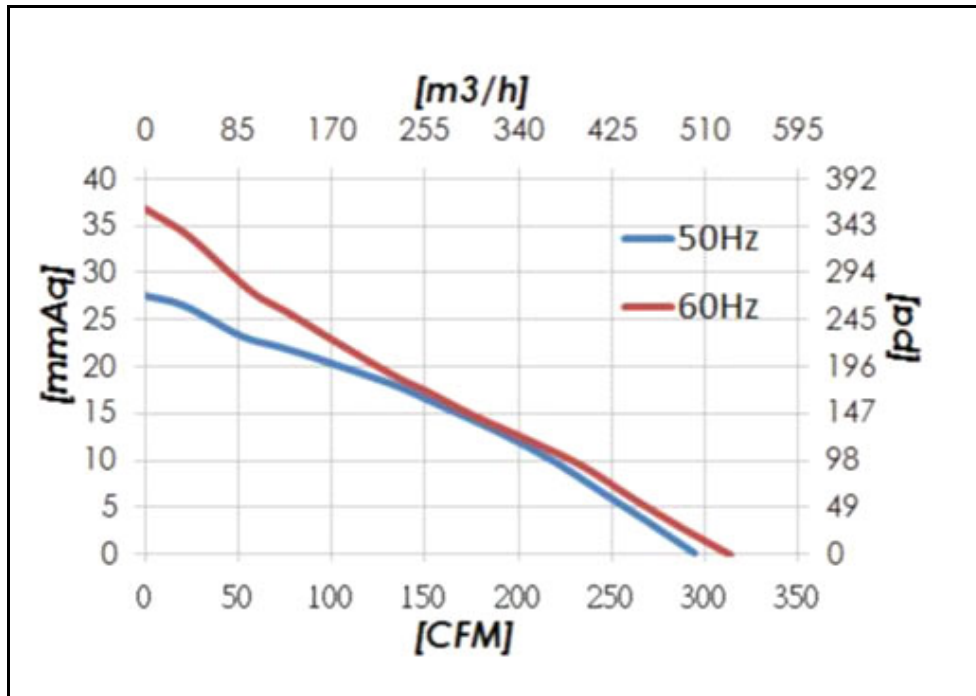
Mechanical Specifications

Fan Size	175 ϕ x65
Frame Material	Aluminium
Impeller	Plastic Impeller

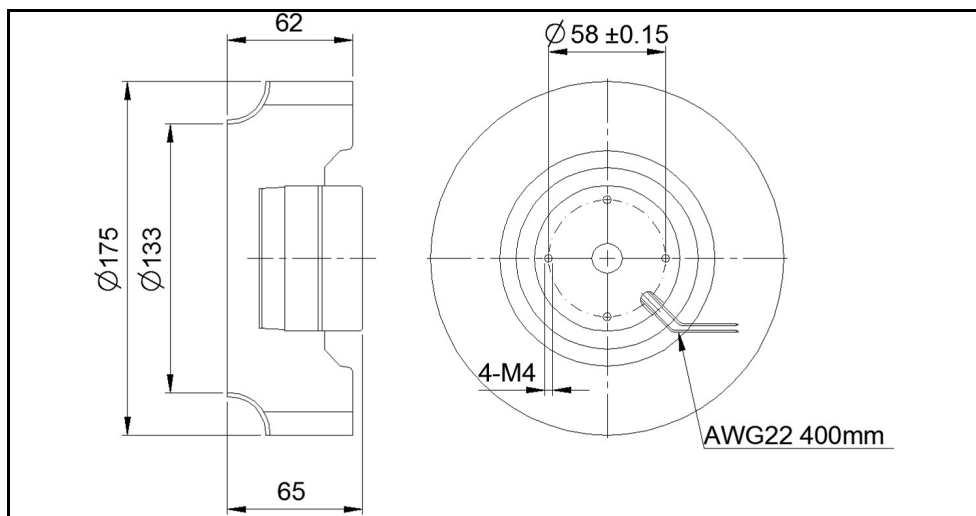
Approvals and Certificates

Approvals	CE	Y
	TUV	Y
	RoSH	Y
	UL	Y

Airflow Graph



Dimensional Drawing (mm)



Similar Products

Product	Size	Impeller Material	Speed	Noise	Weight
N/A					
N/A					
N/A					
N/A					
N/A					

Finger Guard Accessory's

Product	Guard Type	Fan Size	Weight (g)
N/A			
N/A			
N/A			

Additional Information

Box Quantity:	8
Weight Per Box:	6.96 KG
Size Per Box:	42×43×19

Highland Centrifugal AC Fan

Part Number: HIG-C175RP115H09I54L

Features:

Size (mm): 175Øx69

Maintenance-Free Ball Bearings

Plastic Impeller

Insulation Class B, IP54

Thermally Protected (Auto Restart)

115 VAC



Product Description

Highland ϕ 175mm Round 69mm Thick Centrifugal Fan with Plastic Impeller, 115 VAC, High Speed, AC Induction Capacitor Motor, IP54 Protection with Lead Wires

General Specification

Fan Type	Centrifugal
Operating Voltage	230 VAC
Hz	50/60
Speed (RPM)	2600/2900
Airflow - CFM	294/313
Airflow - cubic m ³ /hr	499.509/531.79
Airflow - m ³ /s	0.139/0.148
Pressure - mmH ² O	28/37
Pressure - inchH ² O	1.102/1.457
Pressure - Pa	274.587/362.847
Noise dB	66/68
Operating Temperature	-20°C to +70°C
Expected Life (H)	70K @ 25 / 45K @ 40 Degrees Centigrade
Weight (g)	870
Tariff Code	8414.59.6590

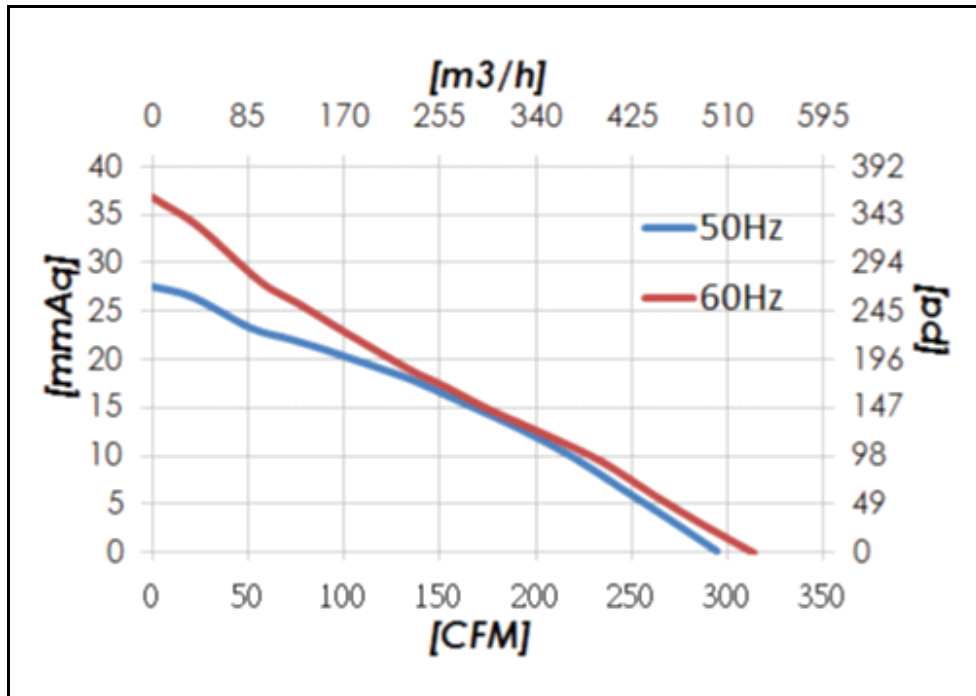
Mechanical Specifications

Fan Size	175 ϕ x69
Frame Material	Aluminium
Impeller	Plastic Impeller

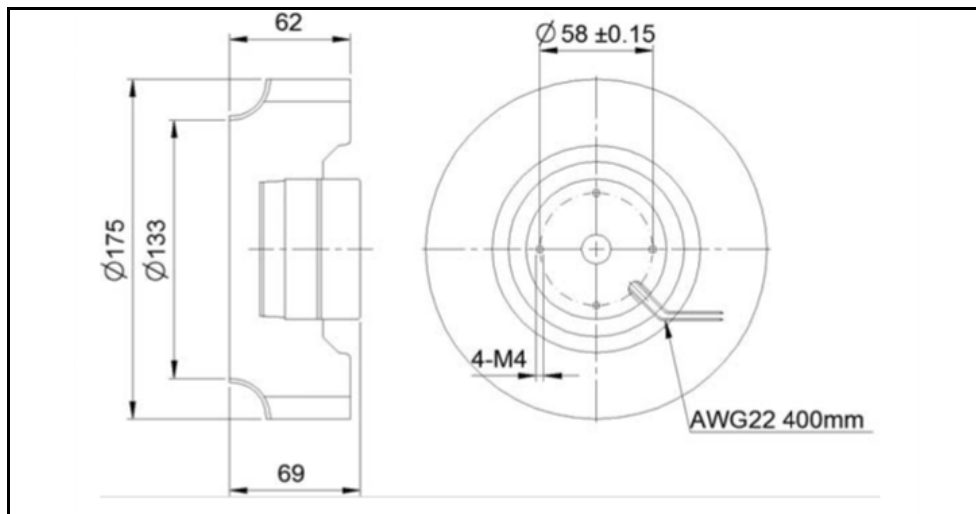
Approvals and Certificates

Approvals	CE	Y
	TUV	Y
	RoSH	Y
	UL	Y

Airflow Graph



Dimensional Drawing (mm)



Similar Products

Product	Size	Impeller Material	Speed	Noise	Weight
HIG-C175RP230H09I54L	175Øx69	Plastic Impeller	2600/2900	66/68	870
N/A					
N/A					
N/A					
N/A					

Finger Guard Accessory's

Product	Guard Type	Fan Size	Weight (g)
N/A			
N/A			
N/A			

Additional Information

Box Quantity:	8
Weight Per Box:	6.96 KG
Size Per Box:	42×43×19

Highland Centrifugal AC Fan

Part Number: HIG-C175RP230H09I54L

Features:

Size (mm): 175Øx69

Maintenance-Free Ball Bearings

Plastic Impeller

Insulation Class B, IP54

Thermally Protected (Auto Restart)

230 VAC



Product Description

Highland ϕ 175mm Round 69mm Thick Centrifugal Fan with Plastic Impeller, 230 VAC, High Speed, AC Induction Capacitor Motor, IP54 Protection with Lead Wires

General Specification

Fan Type	Centrifugal
Operating Voltage	230 VAC
Hz	50/60
Speed (RPM)	2600/2900
Airflow - CFM	294/313
Airflow - cubic m ³ /hr	499.509/531.79
Airflow - m ³ /s	0.139/0.148
Pressure - mmH ² O	28/37
Pressure - inchH ² O	1.102/1.457
Pressure - Pa	274.587/362.847
Noise dB	66/68
Operating Temperature	-20°C to +70°C
Expected Life (H)	70K @ 25 / 45K @ 40 Degrees Centigrade
Weight (g)	870
Tariff Code	8414.59.6590

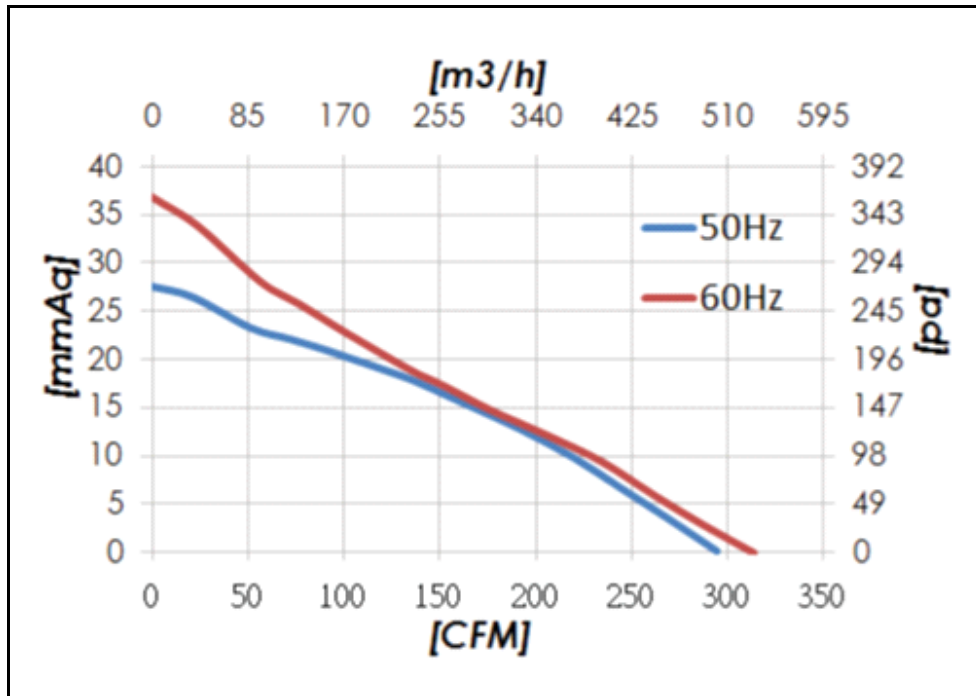
Mechanical Specifications

Fan Size	175 ϕ x69
Frame Material	Aluminium
Impeller	Plastic Impeller

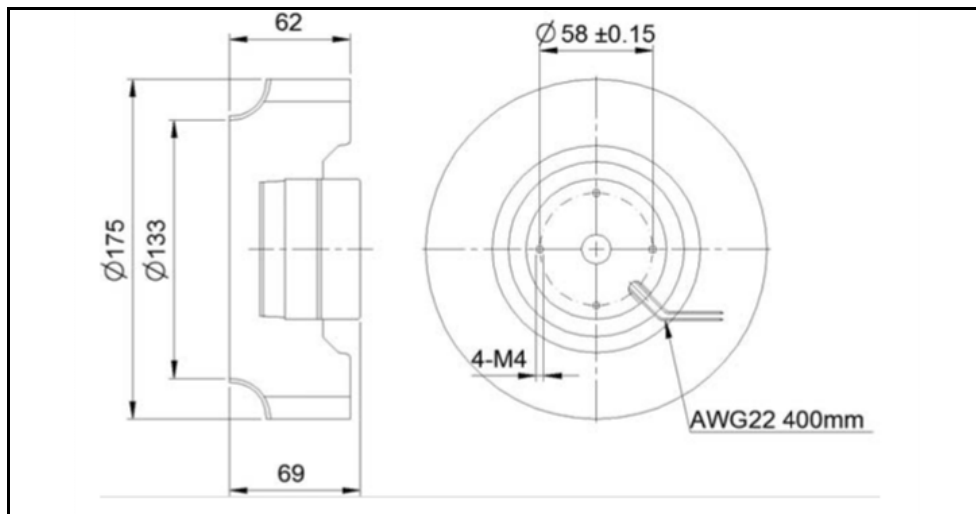
Approvals and Certificates

Approvals	CE	Y
	TUV	Y
	RoSH	Y
	UL	Y

Airflow Graph



Dimensional Drawing (mm)



Similar Products

Product	Size	Impeller Material	Speed	Noise	Weight
HIG-C175RP115H09I54L	175Øx69	Plastic Impeller	2600/2900	66/68	870
N/A					
N/A					
N/A					
N/A					

Finger Guard Accessory's

Product	Guard Type	Fan Size	Weight (g)
N/A			
N/A			
N/A			

Additional Information

Box Quantity:	8
Weight Per Box:	6.96 KG
Size Per Box:	42×43×19

Highland Centrifugal AC Fan

Part Number: HIG-C190RP115M10I54L

Features:

Size (mm): 190Øx67

Maintenance-Free Ball Bearings

Plastic Impeller

Insulation Class B, IP54

Thermally Protected (Auto Restart)

115 VAC



Product Description

Highland ϕ 190mm Round 67mm Thick Centrifugal Fan with Plastic Impeller, 115 VAC, Medium Speed, AC Induction Capacitor Motor, IP54 Protection with Lead Wires

General Specification

Fan Type	Centrifugal
Operating Voltage	115 VAC
Hz	50/60
Speed (RPM)	2000/1600
Airflow - CFM	256/224
Airflow - cubic m ³ /hr	434.947/380.578
Airflow - m ³ /s	0.121/0.106
Pressure - mmH ² O	28/28
Pressure - inchH ² O	1.102/1.102
Pressure - Pa	274.587/274.587
Noise dB	61/59
Operating Temperature	-20°C to +70°C
Expected Life (H)	70K @ 25 / 45K @ 40 Degrees Centigrade
Weight (g)	1820
Tariff Code	8414.59.6590

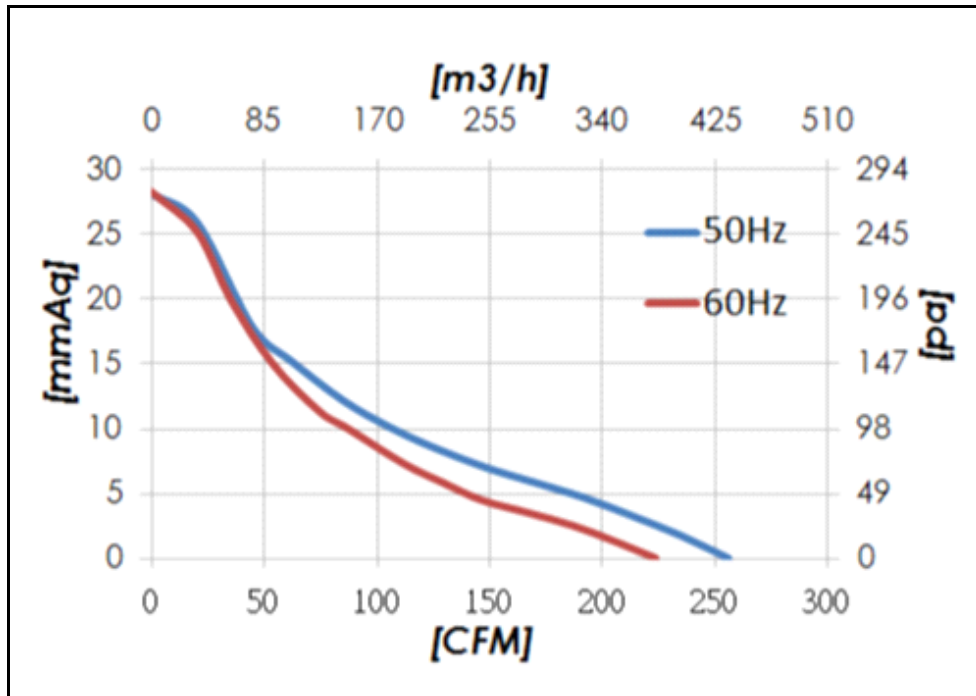
Mechanical Specifications

Fan Size	190 ϕ x67
Frame Material	Aluminium
Impeller	Plastic Impeller

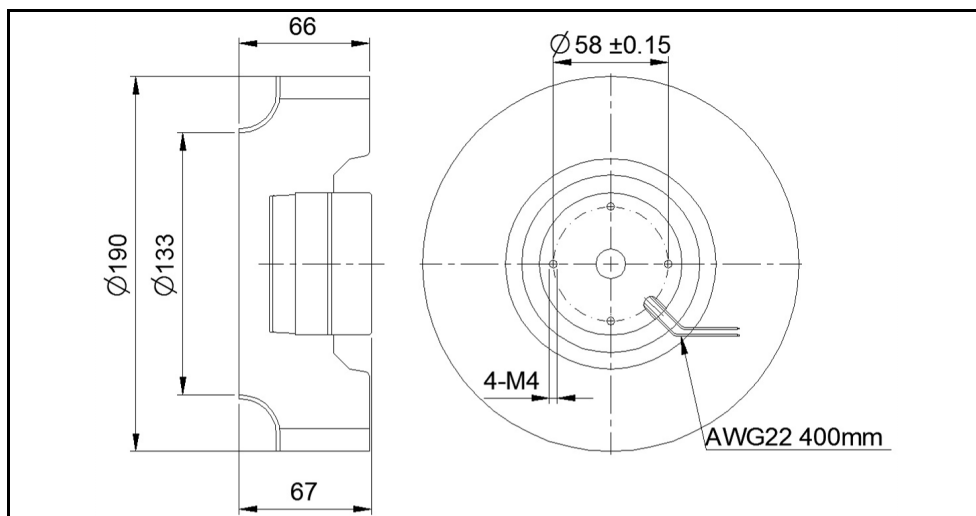
Approvals and Certificates

Approvals	CE	Y
	TUV	Y
	RoSH	Y
	UL	Y

Airflow Graph



Dimensional Drawing (mm)



Similar Products

Product	Size	Impeller Material	Speed	Noise	Weight
HIG-C190RP230M10I54L	190Øx67	Plastic Impeller	2000/1600	61/59	1820
N/A					
N/A					
N/A					
N/A					

Finger Guard Accessory's

Product	Guard Type	Fan Size	Weight (g)
N/A			
N/A			
N/A			

Additional Information

Box Quantity:	8
Weight Per Box:	14.56 KG
Size Per Box:	41×39×21

Highland Centrifugal AC Fan

Part Number: HIG-C190RP230M10I54L

Features:

Size (mm): 190Øx67

Maintenance-Free Ball Bearings

Plastic Impeller

Insulation Class B, IP54

Thermally Protected (Auto Restart)

230 VAC



Product Description

Highland ϕ 190mm Round 67mm Thick Centrifugal Fan with Plastic Impeller, 230 VAC, Medium Speed, AC Induction Capacitor Motor, IP54 Protection with Lead Wires

General Specification

Fan Type	Centrifugal
Operating Voltage	230 VAC
Hz	50/60
Speed (RPM)	2000/1600
Airflow - CFM	256/224
Airflow - cubic m ³ /hr	434.947/380.578
Airflow - m ³ /s	0.121/0.106
Pressure - mmH ² O	28/28
Pressure - inchH ² O	1.102/1.102
Pressure - Pa	274.587/274.587
Noise dB	61/59
Operating Temperature	-20°C to +70°C
Expected Life (H)	70K @ 25 / 45K @ 40 Degrees Centigrade
Weight (g)	1820
Tariff Code	8414.59.6590

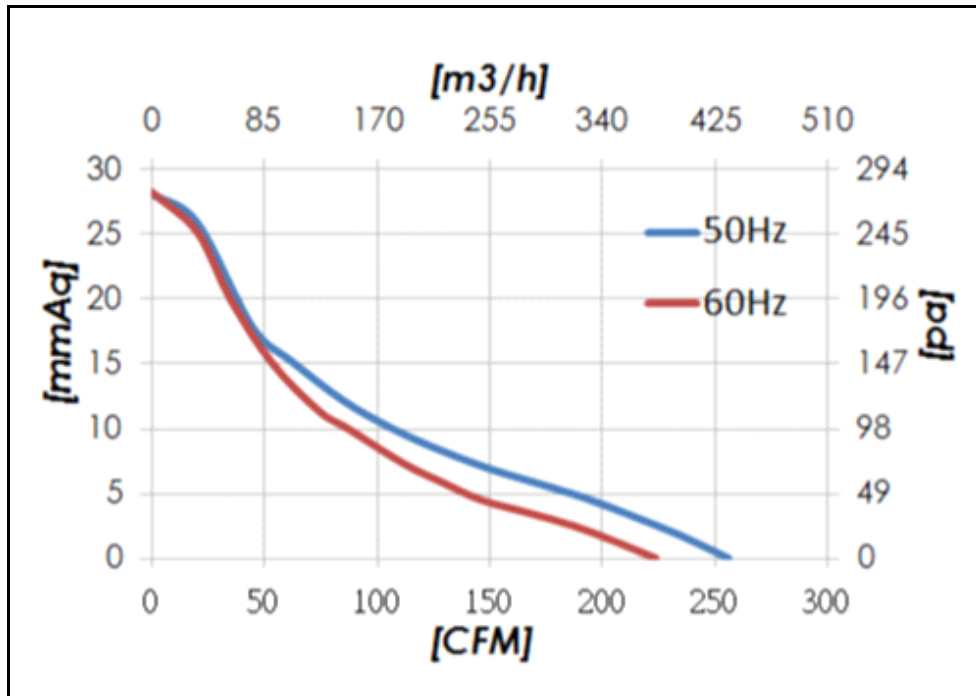
Mechanical Specifications

Fan Size	190 ϕ x67
Frame Material	Aluminium
Impeller	Plastic Impeller

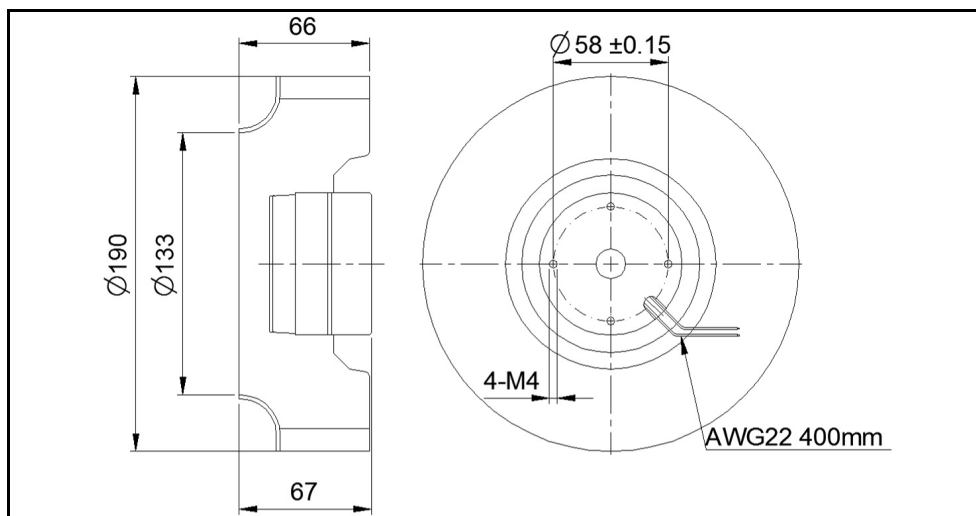
Approvals and Certificates

Approvals	CE	Y
	TUV	Y
	RoSH	Y
	UL	Y

Airflow Graph



Dimensional Drawing (mm)



Similar Products

Product	Size	Impeller Material	Speed	Noise	Weight
HIG-C190RP115M10I54L	190Øx67	Plastic Impeller	2000/1600	61/59	1820
N/A					
N/A					
N/A					
N/A					

Finger Guard Accessory's

Product	Guard Type	Fan Size	Weight (g)
N/A			
N/A			
N/A			

Additional Information

Box Quantity:	8
Weight Per Box:	14.56 KG
Size Per Box:	0

Highland Centrifugal AC Fan

Part Number: HIG-C190RP115H08I54L

Features:

Size (mm): 190Øx72

Maintenance-Free Ball Bearings

Plastic Impeller

Insulation Class B, IP54

Thermally Protected (Auto Restart)

115 VAC



Product Description

Highland ϕ 190mm Round 72mm Thick Centrifugal Fan with Plastic Impeller, 115 VAC, High Speed, AC Induction Capacitor Motor, IP54 Protection with Lead Wires

General Specification

Fan Type	Centrifugal
Operating Voltage	115 VAC
Hz	50/60
Speed (RPM)	2700/3100
Airflow - CFM	269/304
Airflow - cubic m ³ /hr	457.034/516.499
Airflow - m ³ /s	0.127/0.143
Pressure - mmH ² O	37/51
Pressure - inchH ² O	1.457/2.008
Pressure - Pa	362.847/500.14
Noise dB	70/73
Operating Temperature	-20°C to +70°C
Expected Life (H)	70K @ 25 / 45K @ 40 Degrees Centigrade
Weight (g)	1820
Tariff Code	8414.59.6590

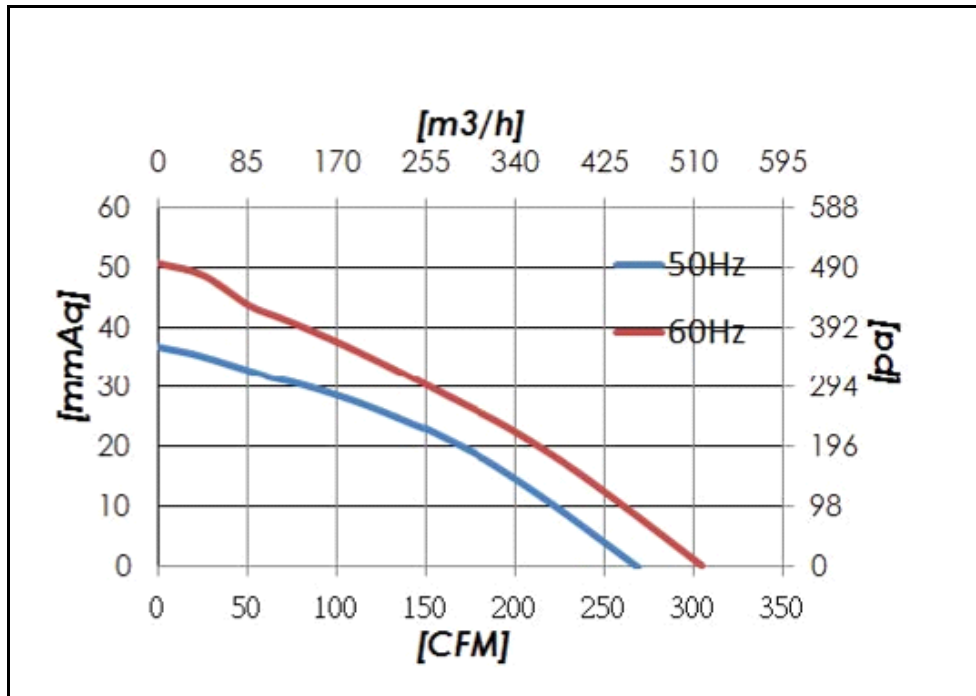
Mechanical Specifications

Fan Size	190 ϕ x72
Frame Material	Aluminium
Impeller	Plastic Impeller

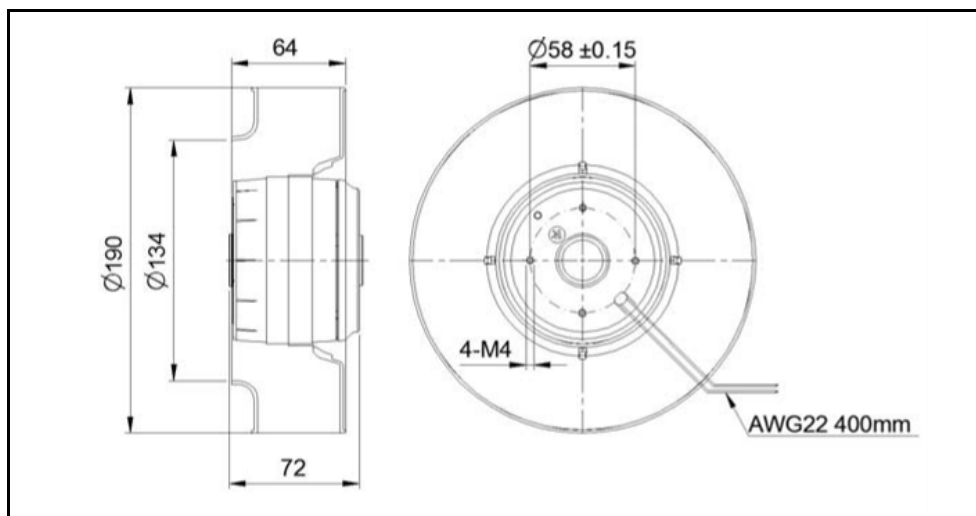
Approvals and Certificates

Approvals	CE	Y
	TUV	Y
	RoSH	Y
	UL	Y

Airflow Graph



Dimensional Drawing (mm)



Similar Products

Product	Size	Impeller Material	Speed	Noise	Weight
HIG-C190RP230H08I54L	190Øx72	Plastic Impeller	2700/3100	70/73	1820
N/A					
N/A					
N/A					
N/A					

Finger Guard Accessory's

Product	Guard Type	Fan Size	Weight (g)
N/A			
N/A			
N/A			

Additional Information

Box Quantity:	8
Weight Per Box:	14.56 KG
Size Per Box:	41×28×29

Highland Centrifugal AC Fan

Part Number: HIG-C190RP230H08I54L

Features:

Size (mm): 190Øx72

Maintenance-Free Ball Bearings

Plastic Impeller

Insulation Class B, IP54

Thermally Protected (Auto Restart)

230 VAC



Product Description

Highland ϕ 190mm Round 72mm Thick Centrifugal Fan with Plastic Impeller, 230 VAC, High Speed, AC Induction Capacitor Motor, IP54 Protection with Lead Wires

General Specification

Fan Type	Centrifugal
Operating Voltage	230 VAC
Hz	50/60
Speed (RPM)	2700/3100
Airflow - CFM	269/304
Airflow - cubic m ³ /hr	457.034/516.499
Airflow - m ³ /s	0.127/0.143
Pressure - mmH ² O	37/51
Pressure - inchH ² O	1.457/2.008
Pressure - Pa	362.847/500.14
Noise dB	70/73
Operating Temperature	-20°C to +70°C
Expected Life (H)	70K @ 25 / 45K @ 40 Degrees Centigrade
Weight (g)	1820
Tariff Code	8414.59.6590

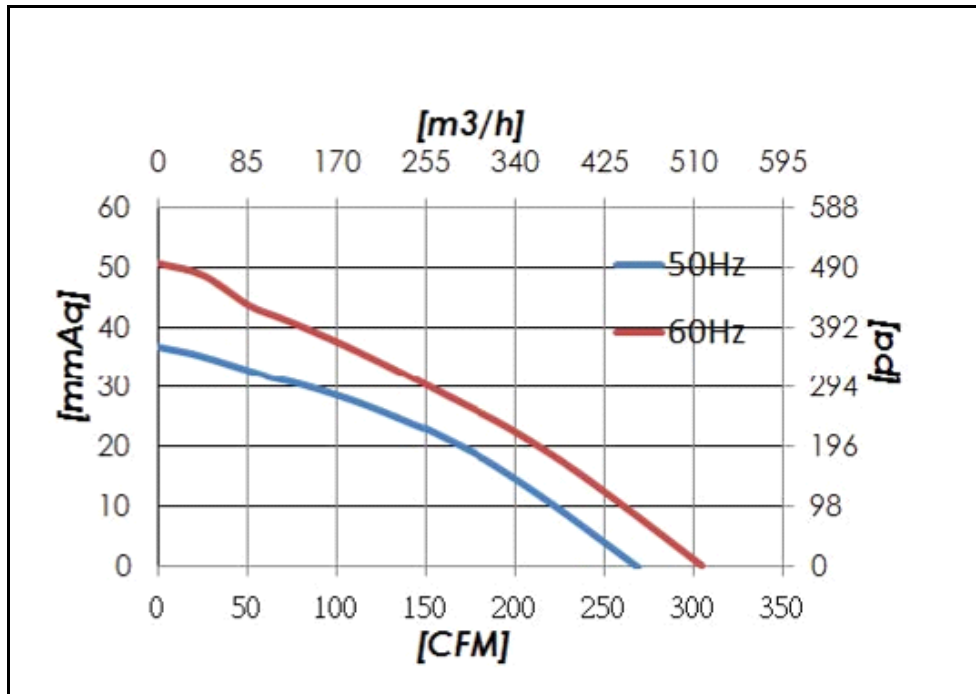
Mechanical Specifications

Fan Size	190 ϕ x72
Frame Material	Aluminium
Impeller	Plastic Impeller

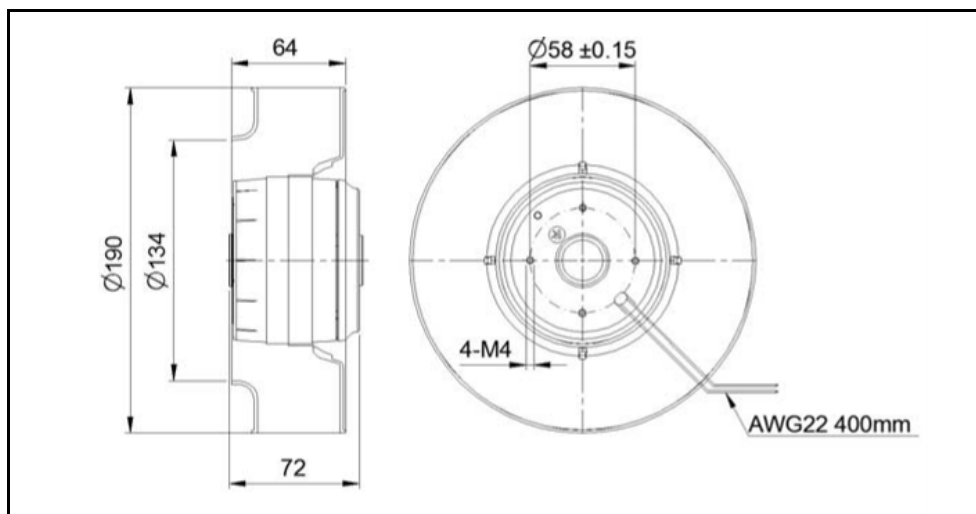
Approvals and Certificates

Approvals	CE	Y
	TUV	Y
	RoSH	Y
	UL	Y

Airflow Graph



Dimensional Drawing (mm)



Similar Products

Product	Size	Impeller Material	Speed	Noise	Weight
HIG-C190RP115H08I54L	190Øx72	Plastic Impeller	2700/3100	70/73	1820
N/A					
N/A					
N/A					
N/A					

Finger Guard Accessory's

Product	Guard Type	Fan Size	Weight (g)
N/A			
N/A			
N/A			

Additional Information

Box Quantity:	8
Weight Per Box:	14.56 KG
Size Per Box:	41×28×29

Highland Centrifugal AC Fan

Part Number: HIG-C220RP115H06I54L

Features:

Size (mm): 220Øx76

Maintenance-Free Ball Bearings

Plastic Impeller

Insulation Class B, IP54

Thermally Protected (Auto Restart)

115 VAC



Product Description

Highland ϕ 220mm Round 76mm Thick Centrifugal Fan with Plastic Impeller, 115 VAC, High Speed, AC Induction Capacitor Motor, IP54 Protection with Lead Wires

General Specification

Fan Type	Centrifugal
Operating Voltage	115 VAC
Hz	50/60
Speed (RPM)	2650/2950
Airflow - CFM	490/550
Airflow - cubic m ³ /hr	832.515/934.456
Airflow - m ³ /s	0.231/0.26
Pressure - mmH ² O	40/55
Pressure - inchH ² O	1.575/2.165
Pressure - Pa	392.267/539.367
Noise dB	75/78
Operating Temperature	-20°C to +70°C
Expected Life (H)	70K @ 25 / 45K @ 40 Degrees Centigrade
Weight (g)	1980
Tariff Code	8414.59.6590

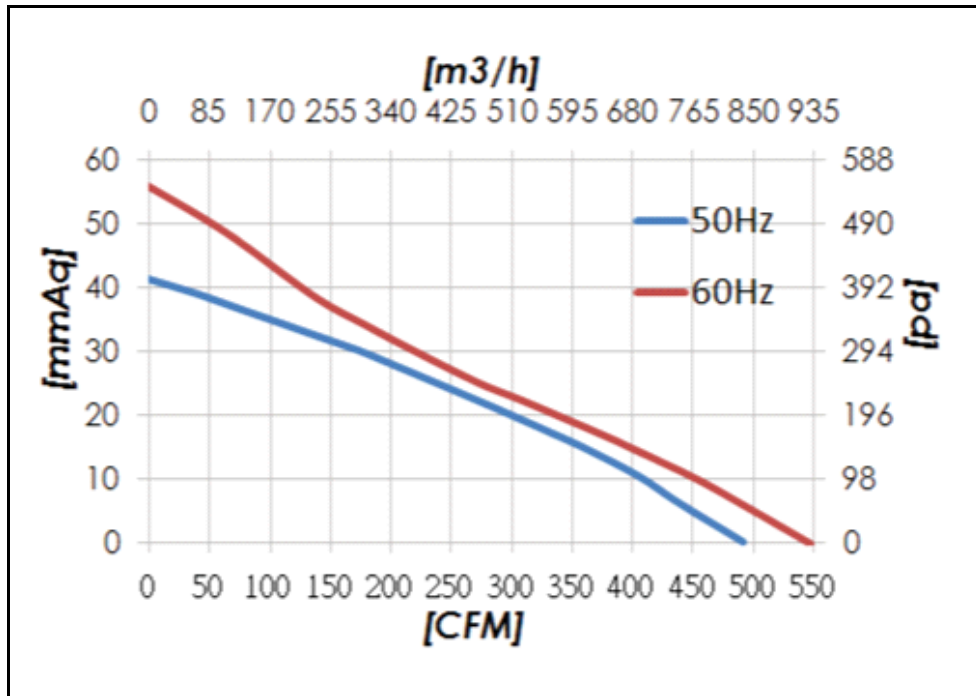
Mechanical Specifications

Fan Size	220 ϕ x76
Frame Material	Aluminium
Impeller	Plastic Impeller

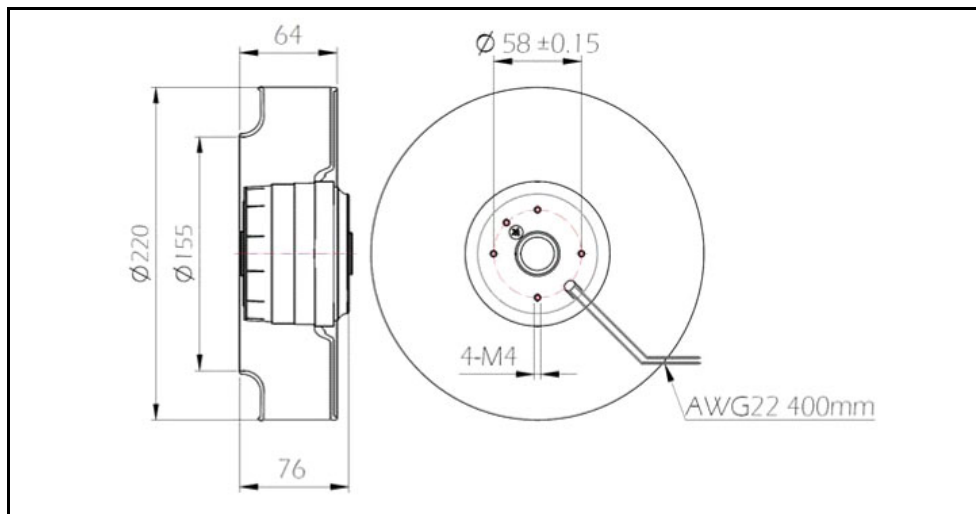
Approvals and Certificates

Approvals	CE	Y
	TUV	Y
	RoSH	Y
	UL	Y

Airflow Graph



Dimensional Drawing (mm)



Similar Products

Product	Size	Impeller Material	Speed	Noise	Weight
HIG-C220RP230H06I54L	220Øx76	Plastic Impeller	2650/2950	75/78	1980
N/A					
N/A					
N/A					
N/A					

Finger Guard Accessory's

Product	Guard Type	Fan Size	Weight (g)
N/A			
N/A			
N/A			

Additional Information

Box Quantity:	5
Weight Per Box:	9.9 KG
Size Per Box:	41×28×29

Highland Centrifugal AC Fan

Part Number: HIG-C220RP230H06I54L

Features:

Size (mm): 220Øx76

Maintenance-Free Ball Bearings

Plastic Impeller

Insulation Class B, IP54

Thermally Protected (Auto Restart)

230 VAC



Product Description

Highland ϕ 220mm Round 76mm Thick Centrifugal Fan with Plastic Impeller, 230 VAC, High Speed, AC Induction Capacitor Motor, IP54 Protection with Lead Wires

General Specification

Fan Type	Centrifugal
Operating Voltage	230 VAC
Hz	50/60
Speed (RPM)	2650/2950
Airflow - CFM	490/550
Airflow - cubic m ³ /hr	832.515/934.456
Airflow - m ³ /s	0.231/0.26
Pressure - mmH ² O	40/55
Pressure - inchH ² O	1.575/2.165
Pressure - Pa	392.267/539.367
Noise dB	75/78
Operating Temperature	-20°C to +70°C
Expected Life (H)	70K @ 25 / 45K @ 40 Degrees Centigrade
Weight (g)	1980
Tariff Code	8414.59.6590

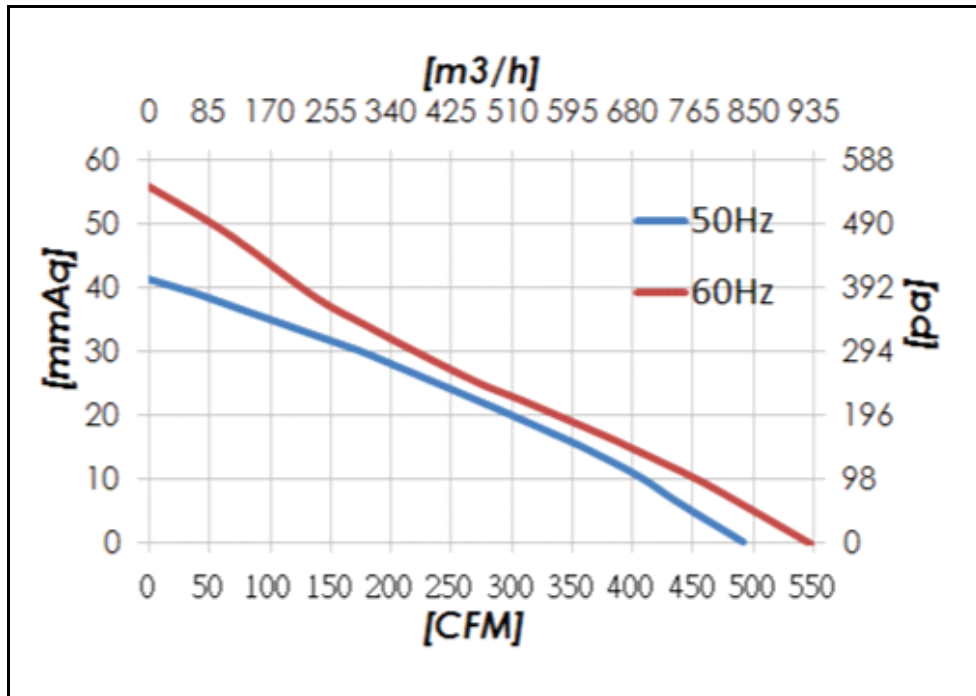
Mechanical Specifications

Fan Size	220 ϕ x76
Frame Material	Aluminium
Impeller	Plastic Impeller

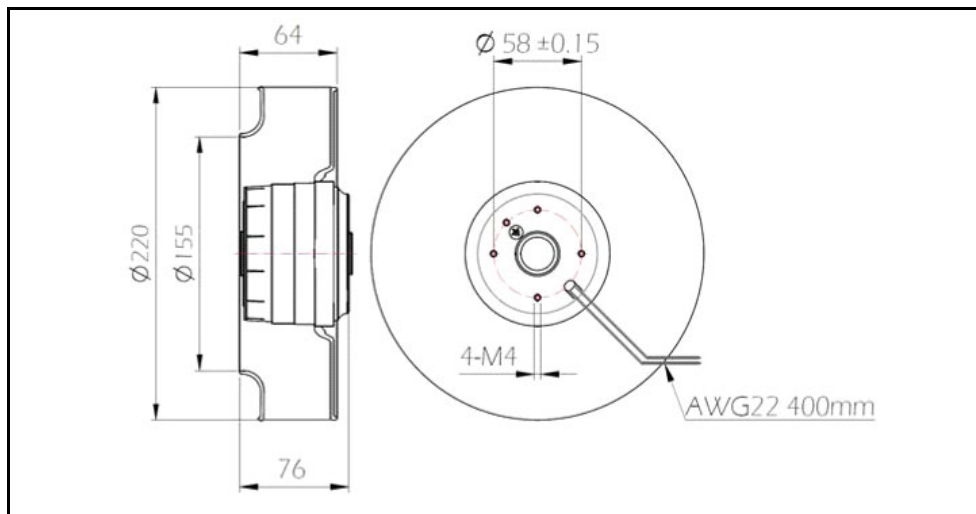
Approvals and Certificates

Approvals	CE	Y
	TUV	Y
	RoSH	Y
	UL	Y

Airflow Graph



Dimensional Drawing (mm)



Similar Products

Product	Size	Impeller Material	Speed	Noise	Weight
HIG-C220RP115H06I54L	220Øx76	Plastic Impeller	2650/2950	75/78	1980
N/A					
N/A					
N/A					
N/A					

Finger Guard Accessory's

Product	Guard Type	Fan Size	Weight (g)
N/A			
N/A			
N/A			

Additional Information

Box Quantity:	5
Weight Per Box:	9.9 KG
Size Per Box:	41×28×29

Highland Centrifugal AC Fan

Part Number: HIG-C225RP115H01I54L

Features:

Size (mm): 225Øx101

Maintenance-Free Ball Bearings

Plastic Impeller

Insulation Class B, IP54

Thermally Protected (Auto Restart)

115 VAC



Product Description

Highland 225mm x 225mm Round 101mm Thick Centrifugal Fan with Plastic Impeller, 115 VAC, High Speed, AC Induction Capacitor Motor, IP54 Protection with Lead Wires

General Specification

Fan Type	Centrifugal
Operating Voltage	115 VAC
Hz	50/60
Speed (RPM)	2500/2500
Airflow - CFM	636/635
Airflow - cubic m ³ /hr	1080.571/1078.872
Airflow - m ³ /s	0.3/0.3
Pressure - mmH ² O	52/64
Pressure - inchH ² O	2.047/2.52
Pressure - Pa	509.947/627.627
Noise dB	70/72
Operating Temperature	-20°C to +70°C
Expected Life (H)	70K @ 25 / 45K @ 40 Degrees Centigrade
Weight (g)	1985
Tariff Code	8414.59.6590

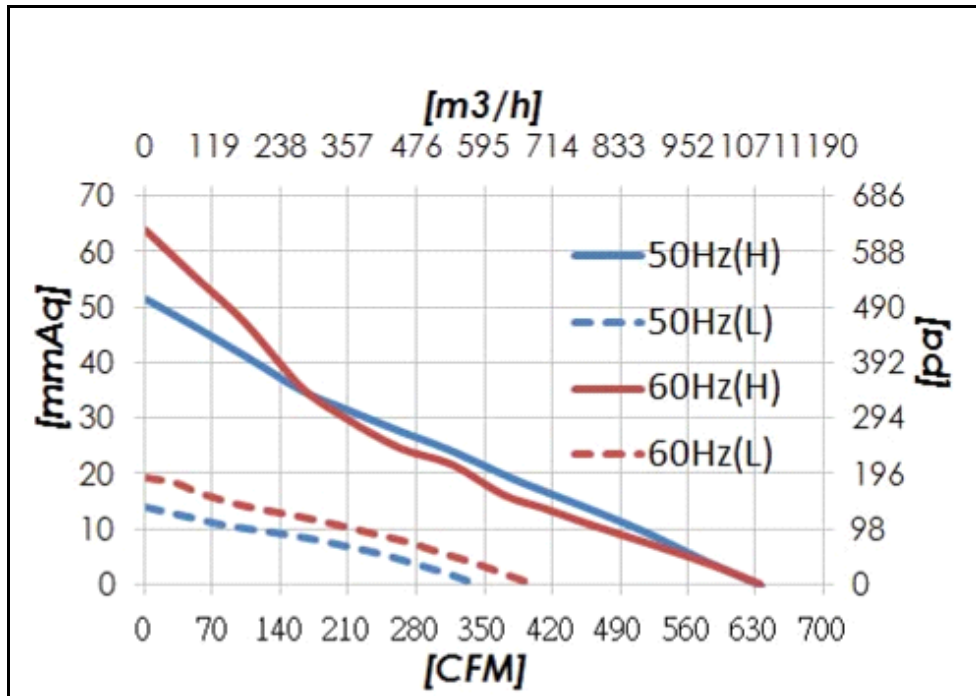
Mechanical Specifications

Fan Size	225Øx101
Frame Material	Aluminium
Impeller	Plastic Impeller

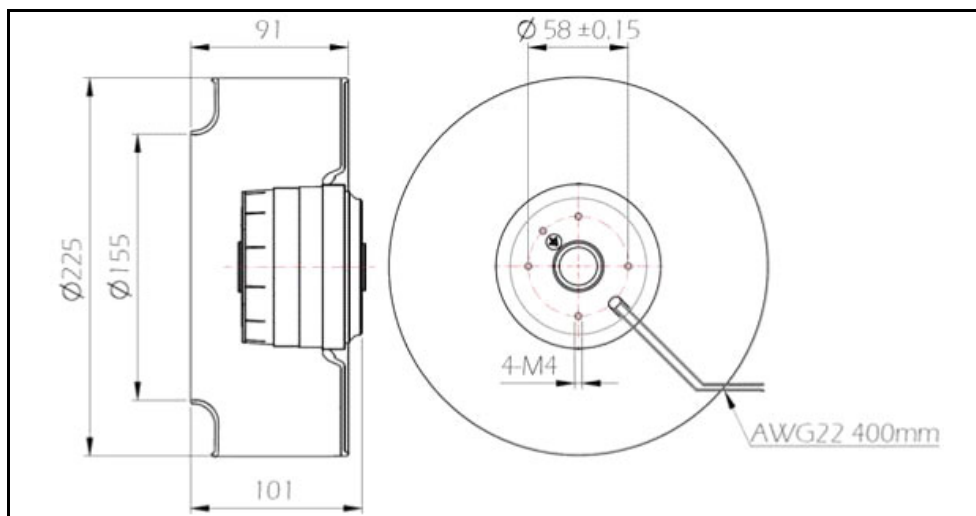
Approvals and Certificates

Approvals	CE	Y
	TUV	Y
	RoSH	Y
	UL	Y

Airflow Graph



Dimensional Drawing (mm)



Similar Products

Product	Size	Impeller Material	Speed	Noise	Weight
HIG-C225RP115L01I54L	225Øx101	Plastic Impeller	1400/1600	59/61	1985
HIG-C225RP230H01I54L	225Øx101	Plastic Impeller	2500/2500	70/72	1985
HIG-C225RP230L01I54L	225Øx101				
N/A					
N/A					

Finger Guard Accessory's

Product	Guard Type	Fan Size	Weight (g)
N/A			
N/A			
N/A			

Additional Information

Box Quantity:	5
Weight Per Box:	9.925 KG
Size Per Box:	63×31×31

Highland Centrifugal AC Fan

Part Number: HIG-C225RP115H02I54L

Features:

Size (mm): 225Øx99

Maintenance-Free Ball Bearings

Plastic Impeller

Insulation Class B, IP54

Thermally Protected (Auto Restart)

115 VAC



Product Description

Highland 225mm x 225mm Round 99mm Thick Centrifugal Fan with Plastic Impeller, 115 VAC, High Speed, AC Induction Capacitor Motor, IP54 Protection with Lead Wires

General Specification

Fan Type	Centrifugal
Operating Voltage	115 VAC
Hz	50/60
Speed (RPM)	2500/2500
Airflow - CFM	636/635
Airflow - cubic m ³ /hr	1080.571/1078.872
Airflow - m ³ /s	0.3/0.3
Pressure - mmH ² O	52/64
Pressure - inchH ² O	2.047/2.52
Pressure - Pa	509.947/627.627
Noise dB	70/72
Operating Temperature	-20°C to +70°C
Expected Life (H)	70K @ 25 / 45K @ 40 Degrees Centigrade
Weight (g)	1985
Tariff Code	8414.59.6590

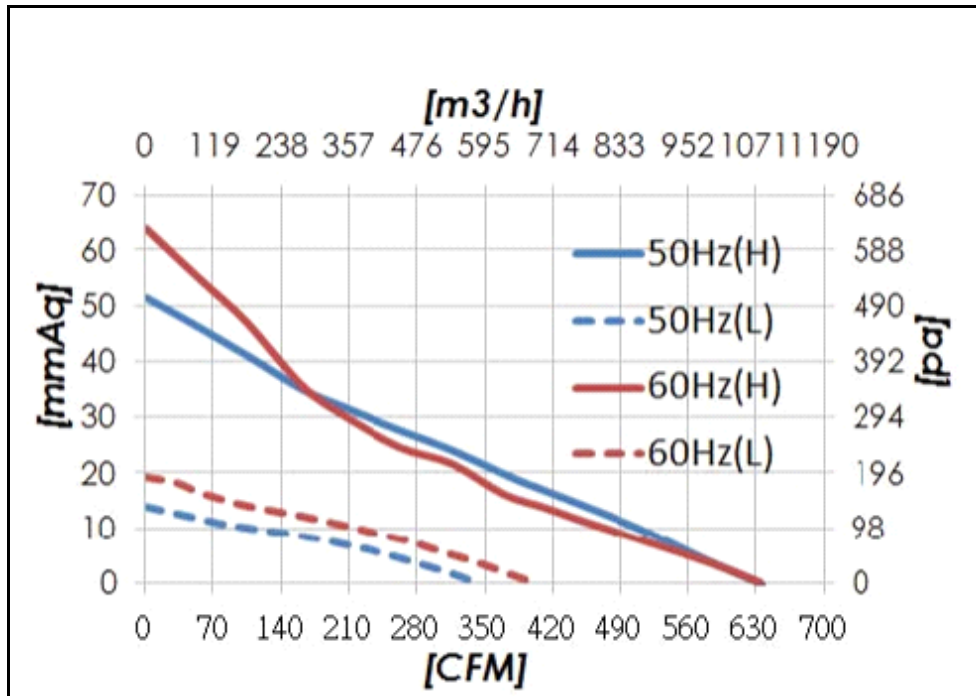
Mechanical Specifications

Fan Size	225Øx99
Frame Material	Aluminium
Impeller	Plastic Impeller

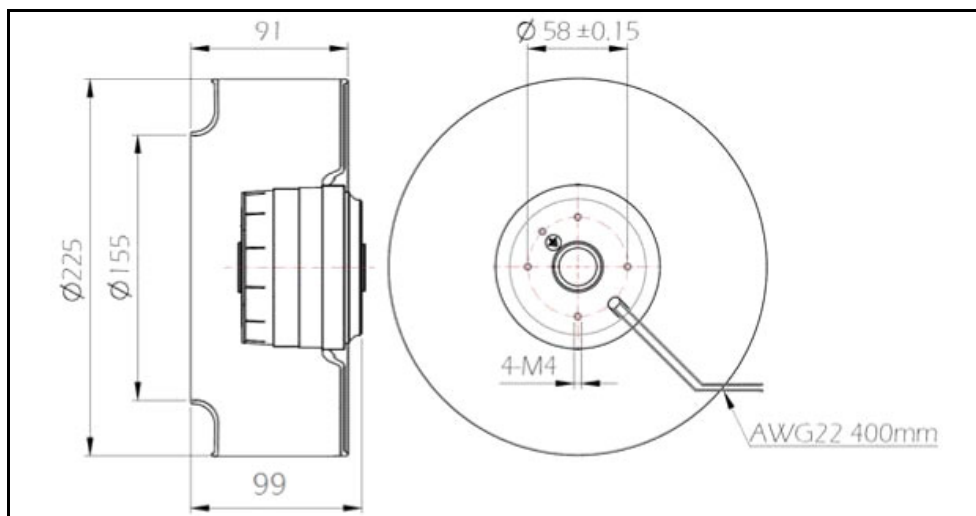
Approvals and Certificates

Approvals	CE	Y
	TUV	Y
	RoSH	Y
	UL	Y

Airflow Graph



Dimensional Drawing (mm)



Similar Products

Product	Size	Impeller Material	Speed	Noise	Weight
HIG-C225RP115L02I54L	225Øx99	Plastic Impeller	1400/1600	59/61	1985
HIG-C225RP230H02I54L	225Øx99	Plastic Impeller	2500/2500	70/72	1985
HIG-C225RP230L02I54L	225Øx99				
N/A					
N/A					

Finger Guard Accessory's

Product	Guard Type	Fan Size	Weight (g)
N/A			
N/A			
N/A			

Additional Information

Box Quantity:	5
Weight Per Box:	9.925 KG
Size Per Box:	63×31×31

Highland Centrifugal AC Fan

Part Number: HIG-C225RP115L01I54L

Features:

Size (mm): 225Øx101

Maintenance-Free Ball Bearings

Plastic Impeller

Insulation Class B, IP54

Thermally Protected (Auto Restart)

115 VAC



Product Description

Highland 225mm x 225mm Round 101mm Thick Centrifugal Fan with Plastic Impeller, 115 VAC, Low Speed, AC Induction Capacitor Motor, IP54 Protection with Lead Wires

General Specification

Fan Type	Centrifugal
Operating Voltage	115 VAC
Hz	50/60
Speed (RPM)	1400/1600
Airflow - CFM	345/405
Airflow - cubic m ³ /hr	586.159/688.099
Airflow - m ³ /s	0.163/0.191
Pressure - mmH ² O	14/20
Pressure - inchH ² O	0.551/0.787
Pressure - Pa	137.293/196.133
Noise dB	59/61
Operating Temperature	-20°C to +70°C
Expected Life (H)	70K @ 25 / 45K @ 40 Degrees Centigrade
Weight (g)	1985
Tariff Code	8414.59.6590

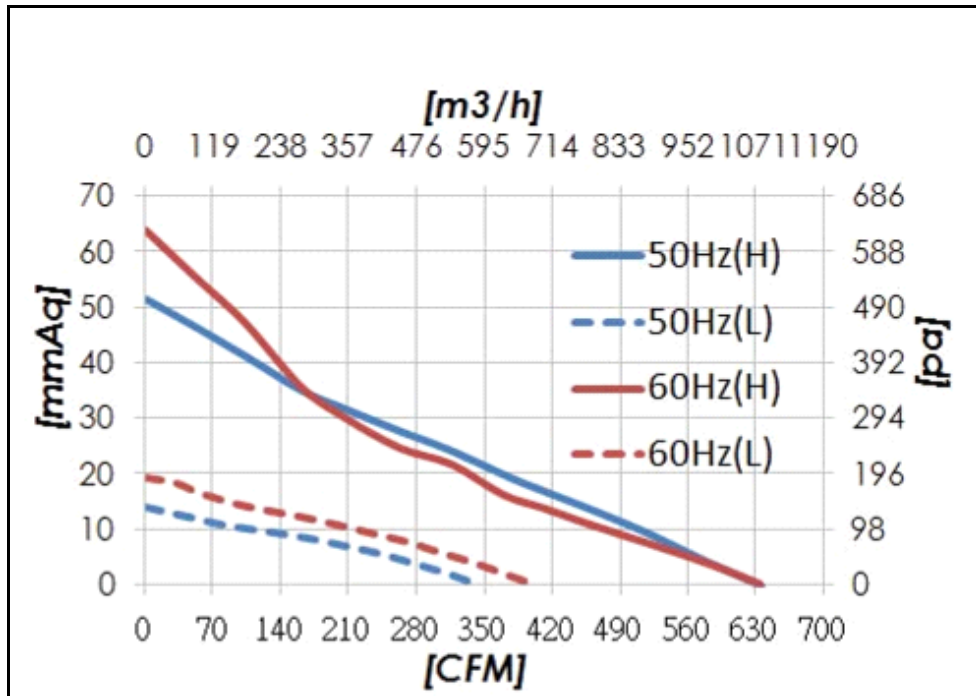
Mechanical Specifications

Fan Size	225Øx101
Frame Material	Aluminium
Impeller	Plastic Impeller

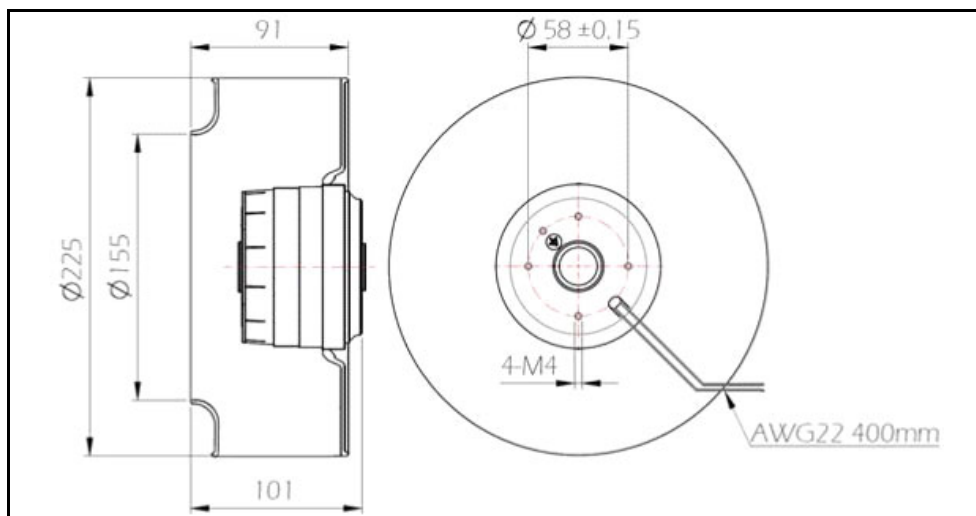
Approvals and Certificates

Approvals	CE	Y
	TUV	Y
	RoSH	Y
	UL	Y

Airflow Graph



Dimensional Drawing (mm)



Similar Products

Product	Size	Impeller Material	Speed	Noise	Weight
HIG-C225RP115H01I54L	225Øx101	Plastic Impeller	2500/2500	70/72	1985
HIG-C225RP230H01I54L	225Øx101	Plastic Impeller	2500/2500	70/72	1985
HIG-C225RP230L01I54L	225Øx101				
N/A					
N/A					

Finger Guard Accessory's

Product	Guard Type	Fan Size	Weight (g)
N/A			
N/A			
N/A			

Additional Information

Box Quantity:	5
Weight Per Box:	9.925 KG
Size Per Box:	63×31×31

Highland Centrifugal AC Fan

Part Number: HIG-C225RP115L02I54L

Features:

Size (mm): 225Øx99

Maintenance-Free Ball Bearings

Plastic Impeller

Insulation Class B, IP54

Thermally Protected (Auto Restart)

115 VAC



Product Description

Highland 225mm x 225mm Round 99mm Thick Centrifugal Fan with Plastic Impeller, 115 VAC, Low Speed, AC Induction Capacitor Motor, IP54 Protection with Lead Wires

General Specification

Fan Type	Centrifugal
Operating Voltage	115 VAC
Hz	50/60
Speed (RPM)	1400/1600
Airflow - CFM	345/405
Airflow - cubic m ³ /hr	586.159/688.099
Airflow - m ³ /s	0.163/0.191
Pressure - mmH ² O	14/20
Pressure - inchH ² O	0.551/0.787
Pressure - Pa	137.293/196.133
Noise dB	59/61
Operating Temperature	-20°C to +70°C
Expected Life (H)	70K @ 25 / 45K @ 40 Degrees Centigrade
Weight (g)	1985
Tariff Code	8414.59.6590

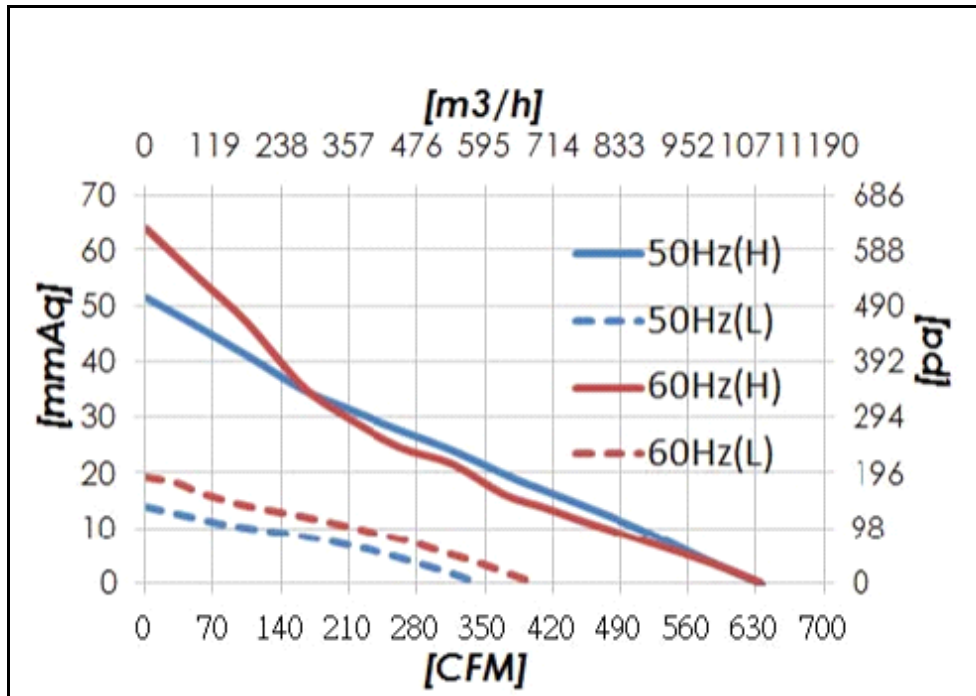
Mechanical Specifications

Fan Size	225Øx99
Frame Material	Aluminium
Impeller	Plastic Impeller

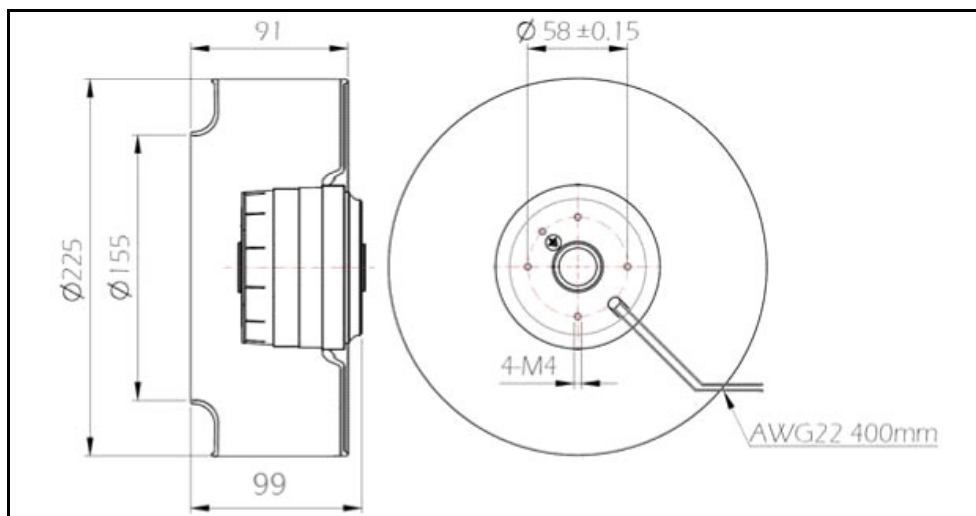
Approvals and Certificates

Approvals	CE	Y
	TUV	Y
	RoSH	Y
	UL	Y

Airflow Graph



Dimensional Drawing (mm)



Similar Products

Product	Size	Impeller Material	Speed	Noise	Weight
HIG-C225RP115H02I54L	225Øx99	Plastic Impeller	2500/2500	70/72	1985
HIG-C225RP230H02I54L	225Øx99	Plastic Impeller	2500/2500	70/72	1985
HIG-C225RP230L02I54L	225Øx99				
N/A					
N/A					

Finger Guard Accessory's

Product	Guard Type	Fan Size	Weight (g)
N/A			
N/A			
N/A			

Additional Information

Box Quantity:	5
Weight Per Box:	9.925 KG
Size Per Box:	63×31×31

Highland Centrifugal AC Fan

Part Number: HIG-C225RP230H01I54L

Features:

Size (mm): 225Øx101

Maintenance-Free Ball Bearings

Plastic Impeller

Insulation Class B, IP54

Thermally Protected (Auto Restart)

230 VAC



Product Description

Highland 225mm x 225mm Round 101mm Thick Centrifugal Fan with Plastic Impeller, 230 VAC, High Speed, AC Induction Capacitor Motor, IP54 Protection with Lead Wires

General Specification

Fan Type	Centrifugal
Operating Voltage	230 VAC
Hz	50/60
Speed (RPM)	2500/2500
Airflow - CFM	636/635
Airflow - cubic m ³ /hr	1080.571/1078.872
Airflow - m ³ /s	0.3/0.3
Pressure - mmH ² O	52/64
Pressure - inchH ² O	2.047/2.52
Pressure - Pa	509.947/627.627
Noise dB	70/72
Operating Temperature	-20°C to +70°C
Expected Life (H)	70K @ 25 / 45K @ 40 Degrees Centigrade
Weight (g)	1985
Tariff Code	8414.59.6590

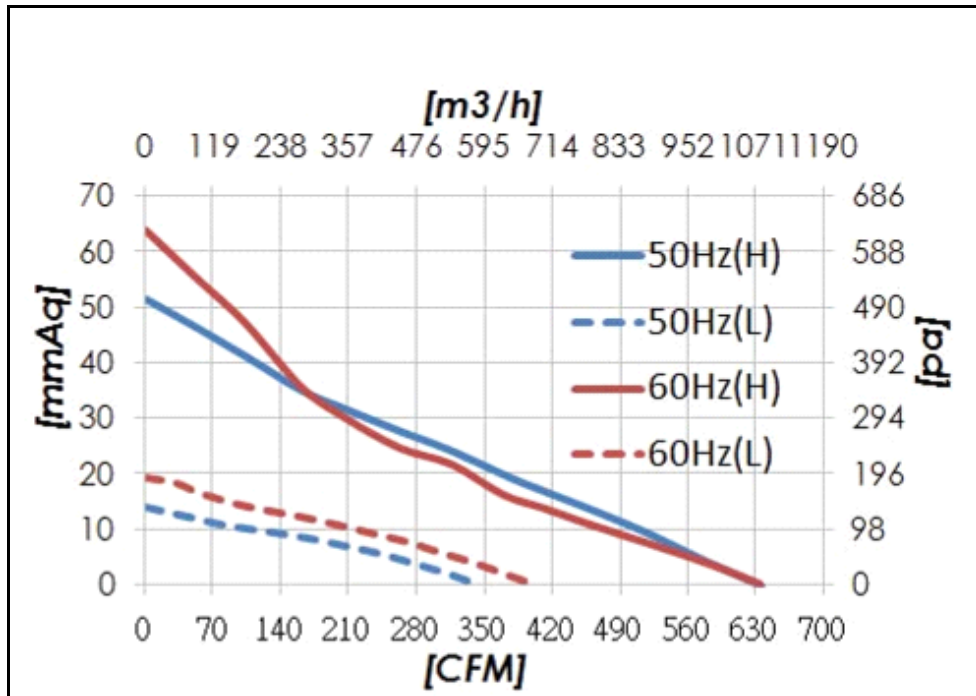
Mechanical Specifications

Fan Size	225Øx101
Frame Material	Aluminium
Impeller	Plastic Impeller

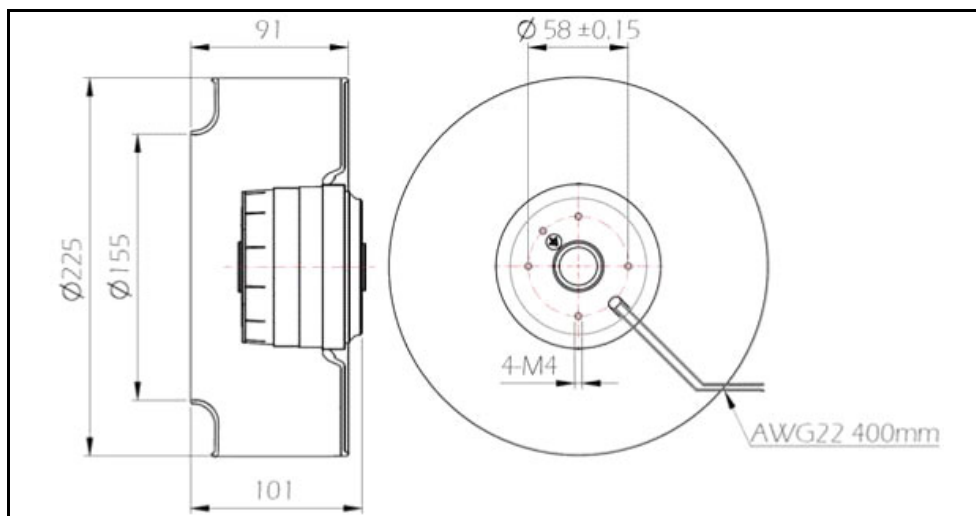
Approvals and Certificates

Approvals	CE	Y
	TUV	Y
	RoSH	Y
	UL	Y

Airflow Graph



Dimensional Drawing (mm)



Similar Products

Product	Size	Impeller Material	Speed	Noise	Weight
HIG-C225RP115H01I54L	225Øx101	Plastic Impeller	2500/2500	70/72	1985
HIG-C225RP115L01I54L	225Øx101	Plastic Impeller	1400/1600	59/61	1985
HIG-C225RP230L01I54L	225Øx101				
N/A					
N/A					

Finger Guard Accessory's

Product	Guard Type	Fan Size	Weight (g)
N/A			
N/A			
N/A			

Additional Information

Box Quantity:	5
Weight Per Box:	9.925 KG
Size Per Box:	63×31×31

Highland Centrifugal AC Fan

Part Number: HIG-C225RP230H02I54L

Features:

Size (mm): 225Øx99

Maintenance-Free Ball Bearings

Plastic Impeller

Insulation Class B, IP54

Thermally Protected (Auto Restart)

230 VAC



Product Description

Highland 225mm x 225mm Round 99mm Thick Centrifugal Fan with Plastic Impeller, 230 VAC, High Speed, AC Induction Capacitor Motor, IP54 Protection with Lead Wires

General Specification

Fan Type	Centrifugal
Operating Voltage	230 VAC
Hz	50/60
Speed (RPM)	2500/2500
Airflow - CFM	636/635
Airflow - cubic m ³ /hr	1080.571/1078.872
Airflow - m ³ /s	0.3/0.3
Pressure - mmH ² O	52/64
Pressure - inchH ² O	2.047/2.52
Pressure - Pa	509.947/627.627
Noise dB	70/72
Operating Temperature	-20°C to +70°C
Expected Life (H)	70K @ 25 / 45K @ 40 Degrees Centigrade
Weight (g)	1985
Tariff Code	8414.59.6590

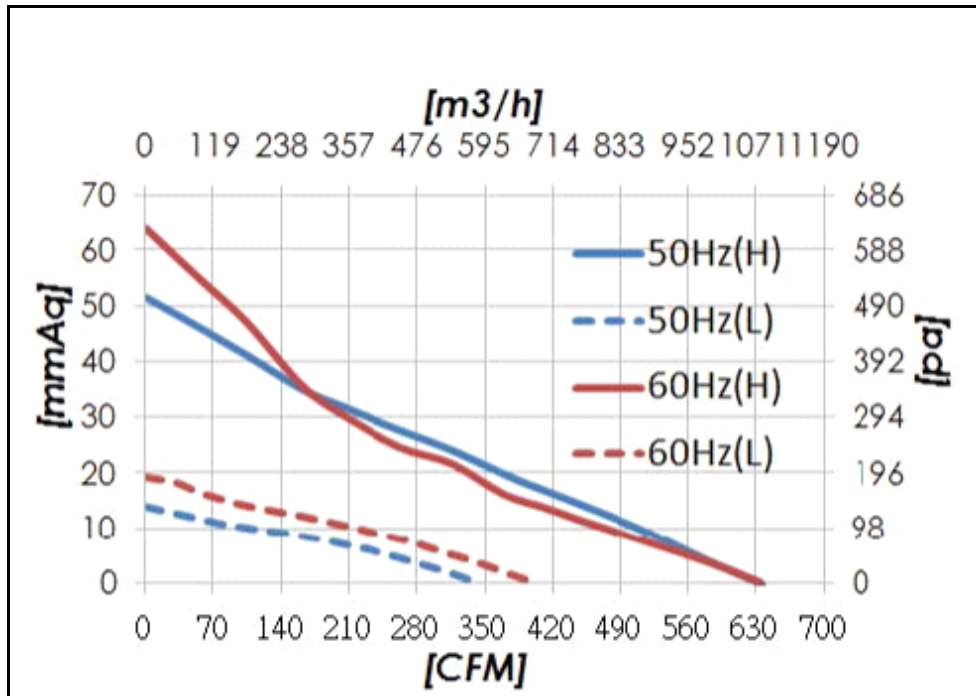
Mechanical Specifications

Fan Size	225Øx99
Frame Material	Aluminium
Impeller	Plastic Impeller

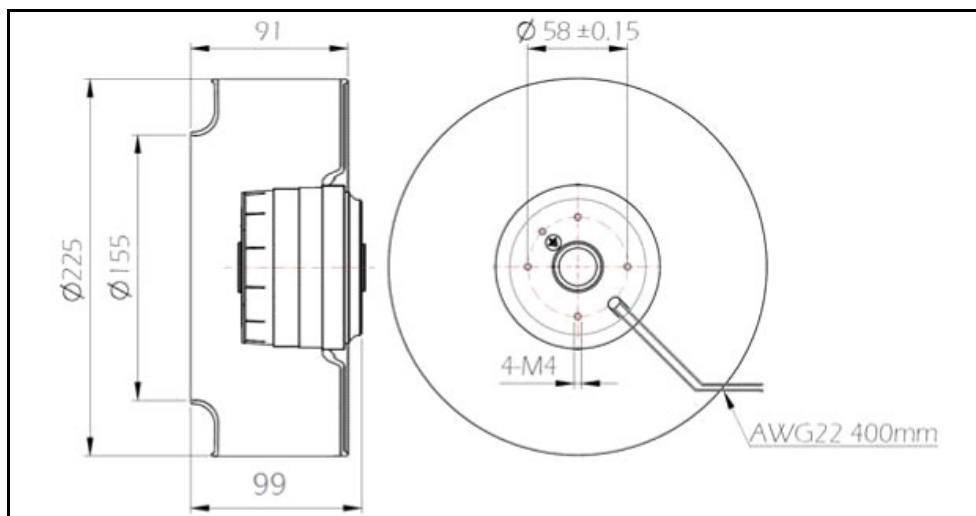
Approvals and Certificates

Approvals	CE	Y
	TUV	Y
	RoSH	Y
	UL	Y

Airflow Graph



Dimensional Drawing (mm)



Similar Products

Product	Size	Impeller Material	Speed	Noise	Weight
HIG-C225RP115H02I54L	225Øx99	Plastic Impeller	2500/2500	70/72	1985
HIG-C225RP115L02I54L	225Øx99	Plastic Impeller	1400/1600	59/61	1985
HIG-C225RP230L02I54L	225Øx99				
N/A					
N/A					

Finger Guard Accessory's

Product	Guard Type	Fan Size	Weight (g)
N/A			
N/A			
N/A			

Additional Information

Box Quantity:	5
Weight Per Box:	9.925 KG
Size Per Box:	63×31×31

Highland Centrifugal AC Fan

Part Number: HIG-C225RP230L01I54L

Features:

Size (mm): 225Øx101

Maintenance-Free Ball Bearings

Plastic Impeller

Insulation Class B, IP54

Thermally Protected (Auto Restart)

230 VAC



Product Description

Highland 225mm x 225mm Round 101mm Thick Centrifugal Fan with Plastic Impeller, 230 VAC, Low Speed, AC Induction Capacitor Motor, IP54 Protection with Lead Wires

General Specification

Fan Type	Centrifugal
Operating Voltage	230 VAC
Hz	50/60
Speed (RPM)	1400/1600
Airflow - CFM	347/405
Airflow - cubic m ³ /hr	589.557/688.099
Airflow - m ³ /s	0.164/0.191
Pressure - mmH ² O	14/20
Pressure - inchH ² O	0.551/0.787
Pressure - Pa	137.293/196.133
Noise dB	59/61
Operating Temperature	-20°C to +70°C
Expected Life (H)	70K @ 25 / 45K @ 40 Degrees Centigrade
Weight (g)	1985
Tariff Code	8414.59.6590

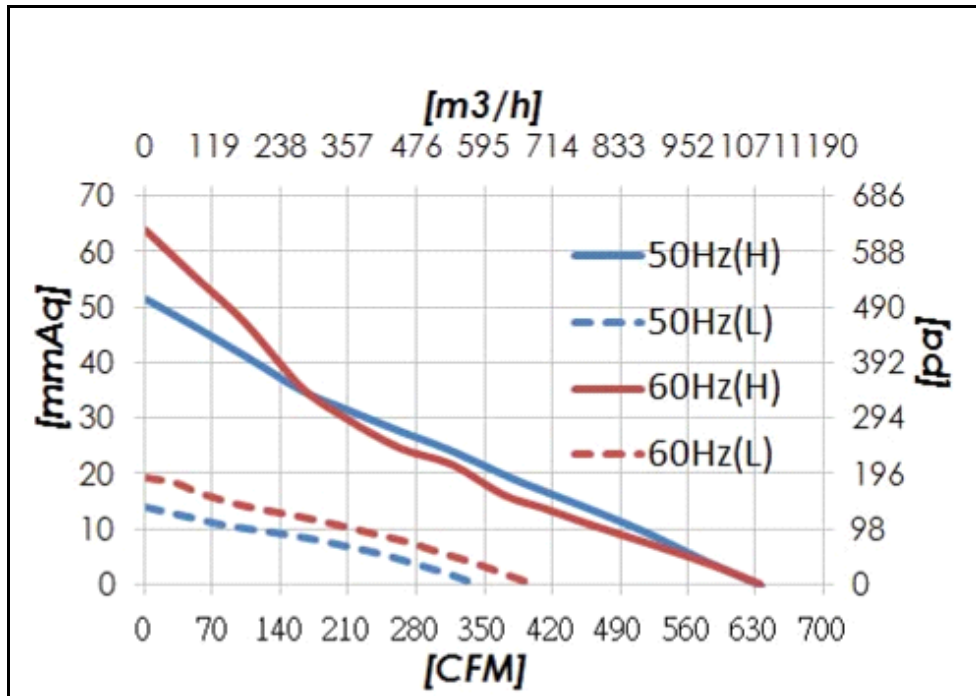
Mechanical Specifications

Fan Size	225Øx101
Frame Material	Aluminium
Impeller	Plastic Impeller

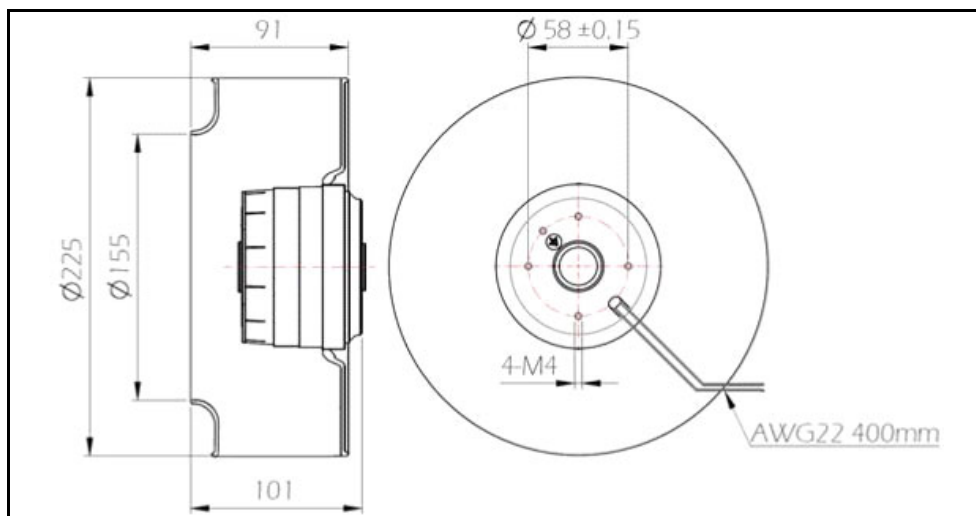
Approvals and Certificates

Approvals	CE	Y
	TUV	Y
	RoSH	Y
	UL	Y

Airflow Graph



Dimensional Drawing (mm)



Similar Products

Product	Size	Impeller Material	Speed	Noise	Weight
HIG-C225RP115H01I54L	225Øx101	Plastic Impeller	2500/2500	70/72	1985
HIG-C225RP115L01I54L	225Øx101	Plastic Impeller	1400/1600	59/61	1985
HIG-C225RP230H01I54L	225Øx101				
N/A					
N/A					

Finger Guard Accessory's

Product	Guard Type	Fan Size	Weight (g)
N/A			
N/A			
N/A			

Additional Information

Box Quantity:	5
Weight Per Box:	9.925 KG
Size Per Box:	63×31×31

Highland Centrifugal AC Fan

Part Number: HIG-C225RP230L02I54L

Features:

Size (mm): 225Øx99

Maintenance-Free Ball Bearings

Plastic Impeller

Insulation Class B, IP54

Thermally Protected (Auto Restart)

230 VAC



Product Description

Highland 225mm x 225mm Round 99mm Thick Centrifugal Fan with Plastic Impeller, 230 VAC, Low Speed, AC Induction Capacitor Motor, IP54 Protection with Lead Wires

General Specification

Fan Type	Centrifugal
Operating Voltage	230 VAC
Hz	50/60
Speed (RPM)	1400/1600
Airflow - CFM	347/405
Airflow - cubic m ³ /hr	589.557/688.099
Airflow - m ³ /s	0.164/0.191
Pressure - mmH ² O	14/20
Pressure - inchH ² O	0.551/0.787
Pressure - Pa	137.293/196.133
Noise dB	59/61
Operating Temperature	-20°C to +70°C
Expected Life (H)	70K @ 25 / 45K @ 40 Degrees Centigrade
Weight (g)	1985
Tariff Code	8414.59.6590

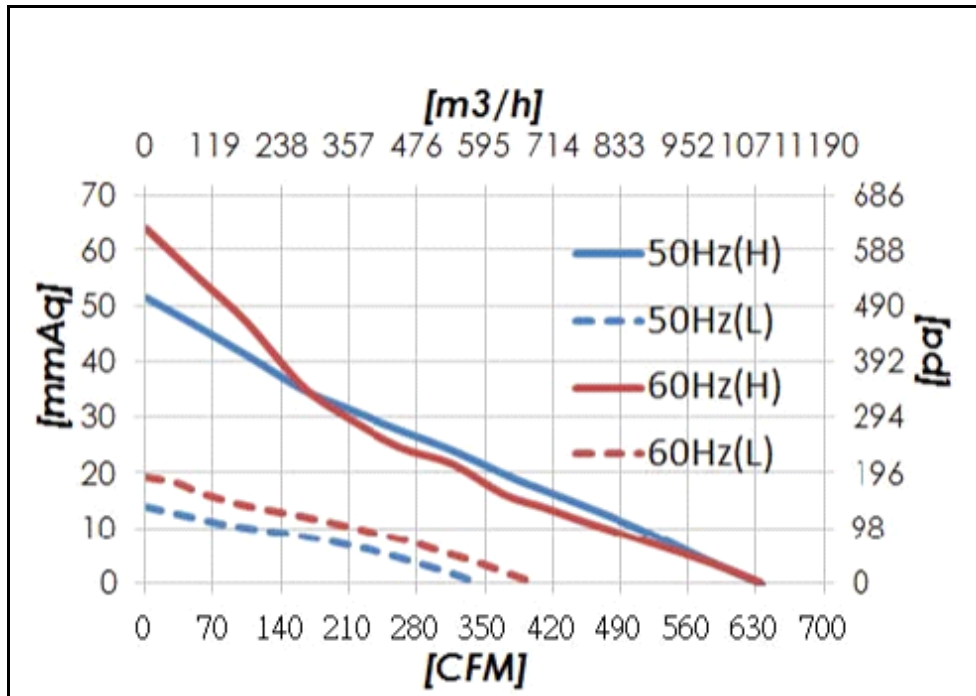
Mechanical Specifications

Fan Size	225Øx99
Frame Material	Aluminium
Impeller	Plastic Impeller

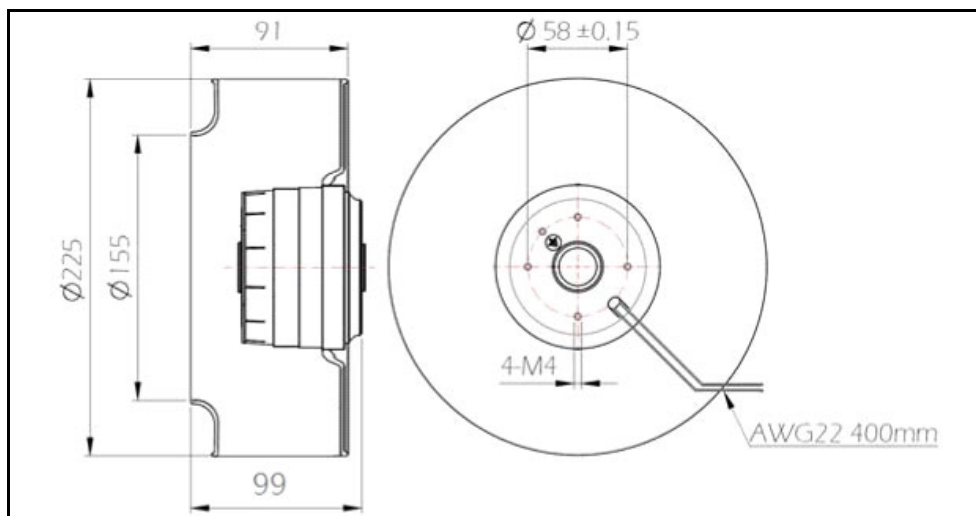
Approvals and Certificates

Approvals	CE	Y
	TUV	Y
	RoSH	Y
	UL	Y

Airflow Graph



Dimensional Drawing (mm)



Similar Products

Product	Size	Impeller Material	Speed	Noise	Weight
HIG-C225RP115H02I54L	225Øx99	Plastic Impeller	2500/2500	70/72	1985
HIG-C225RP115L02I54L	225Øx99	Plastic Impeller	1400/1600	59/61	1985
HIG-C225RP230H02I54L	225Øx99				
N/A					
N/A					

Finger Guard Accessory's

Product	Guard Type	Fan Size	Weight (g)
N/A			
N/A			
N/A			

Additional Information

Box Quantity:	5
Weight Per Box:	9.925 KG
Size Per Box:	63×31×31

Highland Centrifugal AC Fan

Part Number: HIG-C250RP115H03I54L

Features:

Size (mm): 250Øx94

Maintenance-Free Ball Bearings

Plastic Impeller

Insulation Class B, IP54

Thermally Protected (Auto Restart)

115 VAC



Product Description

Highland ϕ 250mm Round 94mm Thick Centrifugal Fan with Plastic Impeller, 115 VAC, High Speed, AC Induction Capacitor Motor, IP54 Protection with Lead Wires

General Specification

Fan Type	Centrifugal
Operating Voltage	115 VAC
Hz	50/60
Speed (RPM)	2600/2700
Airflow - CFM	619/648
Airflow - cubic m ³ /hr	1051.688/1100.959
Airflow - m ³ /s	0.292/0.306
Pressure - mmH ² O	57/69
Pressure - inchH ² O	2.244/2.717
Pressure - Pa	558.98/676.66
Noise dB	76/78
Operating Temperature	-20°C to +70°C
Expected Life (H)	70K @ 25 / 45K @ 40 Degrees Centigrade
Weight (g)	2090
Tariff Code	8414.59.6590

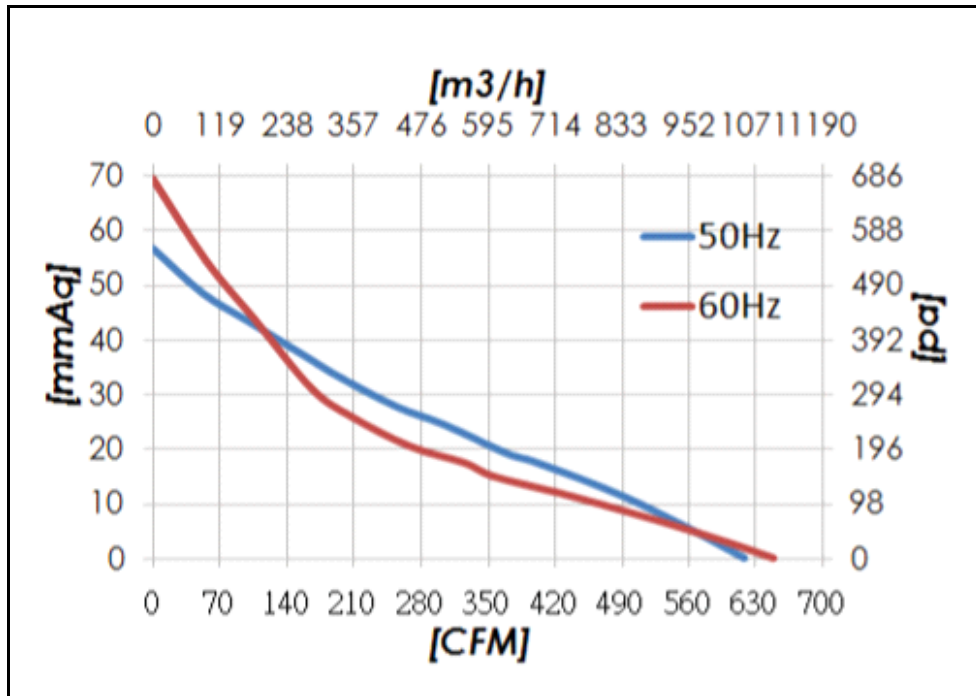
Mechanical Specifications

Fan Size	250 ϕ x94
Frame Material	Aluminium
Impeller	Plastic Impeller

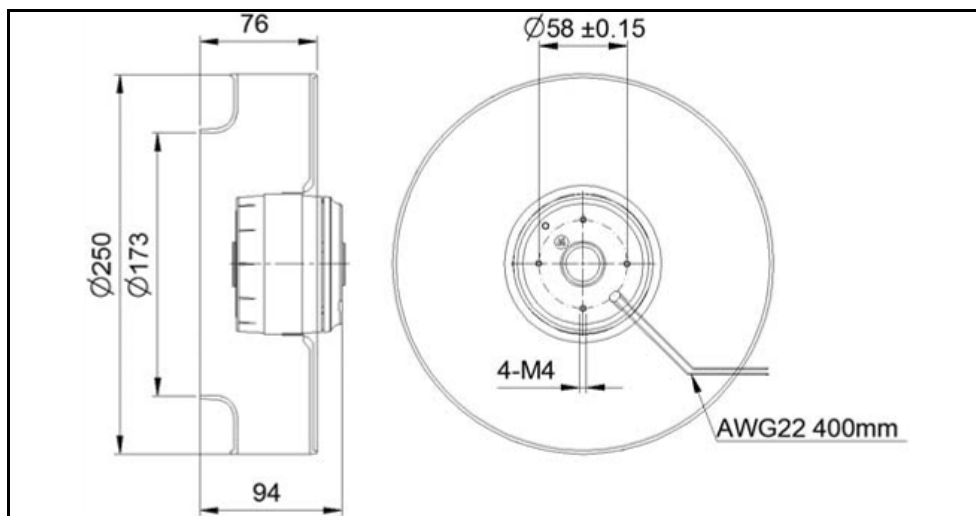
Approvals and Certificates

Approvals	CE	Y
	TUV	Y
	RoSH	Y
	UL	Y

Airflow Graph



Dimensional Drawing (mm)



Similar Products

Product	Size	Impeller Material	Speed	Noise	Weight
HIG-C250RP230H03I54L	250Øx94	Plastic Impeller	2600/2700	76/78	2090
N/A					
N/A					
N/A					
N/A					

Finger Guard Accessory's

Product	Guard Type	Fan Size	Weight (g)
N/A			
N/A			
N/A			

Additional Information

Box Quantity:	6
Weight Per Box:	12.54 KG
Size Per Box:	63×31×31

Highland Centrifugal AC Fan

Part Number: HIG-C250RP230H03I54L

Features:

Size (mm): 250Øx94

Maintenance-Free Ball Bearings

Plastic Impeller

Insulation Class B, IP54

Thermally Protected (Auto Restart)

230 VAC



Product Description

Highland ϕ 250mm Round 94mm Thick Centrifugal Fan with Plastic Impeller, 230 VAC, High Speed, AC Induction Capacitor Motor, IP54 Protection with Lead Wires

General Specification

Fan Type	Centrifugal
Operating Voltage	230 VAC
Hz	50/60
Speed (RPM)	2600/2700
Airflow - CFM	619/648
Airflow - cubic m ³ /hr	1051.688/1100.959
Airflow - m ³ /s	0.292/0.306
Pressure - mmH ² O	57/69
Pressure - inchH ² O	2.244/2.717
Pressure - Pa	558.98/676.66
Noise dB	76/78
Operating Temperature	-20°C to +70°C
Expected Life (H)	70K @ 25 / 45K @ 40 Degrees Centigrade
Weight (g)	2090
Tariff Code	8414.59.6590

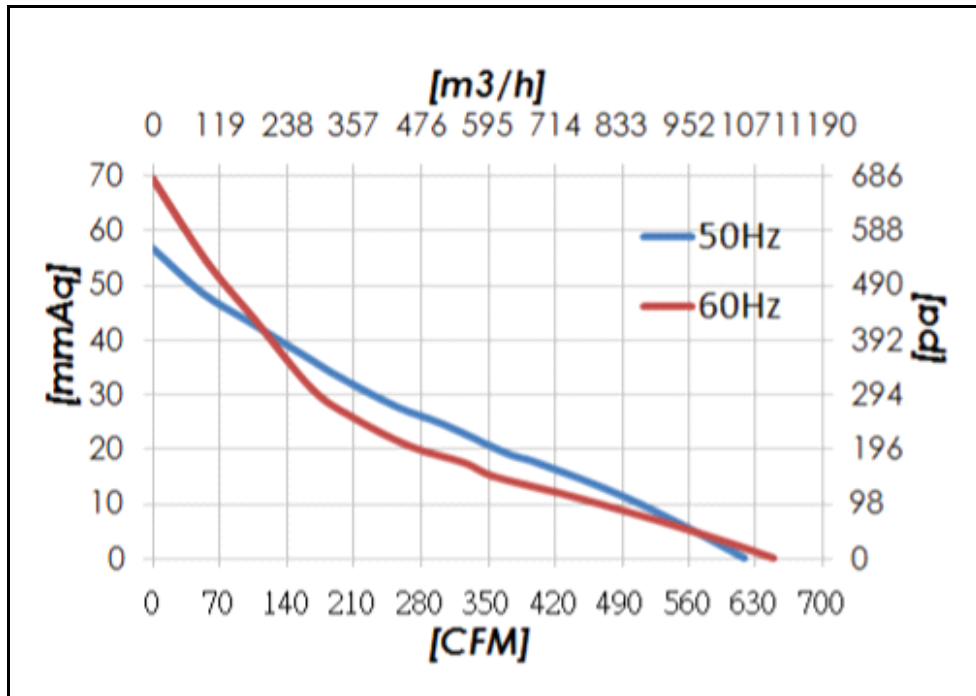
Mechanical Specifications

Fan Size	250 ϕ x94
Frame Material	Aluminium
Impeller	Plastic Impeller

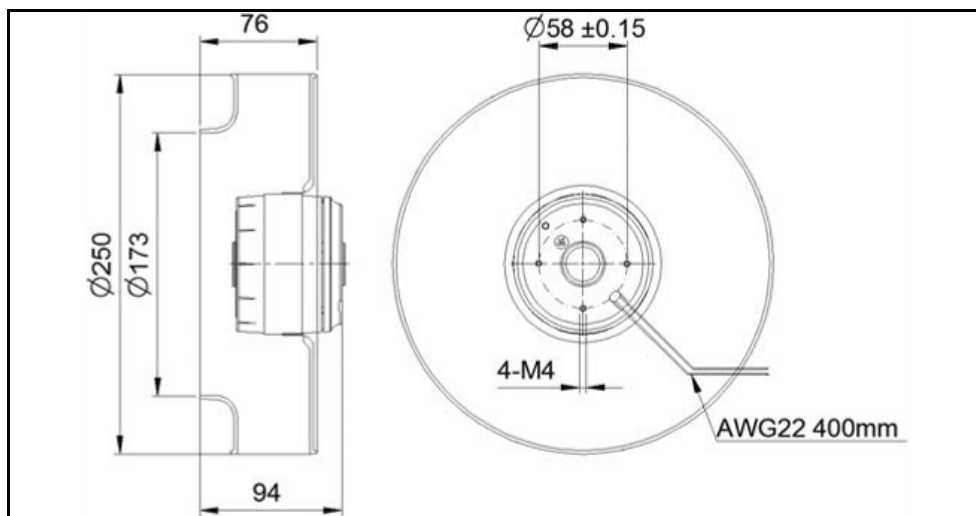
Approvals and Certificates

Approvals	CE	Y
	TUV	Y
	RoSH	Y
	UL	Y

Airflow Graph



Dimensional Drawing (mm)



Similar Products

Product	Size	Impeller Material	Speed	Noise	Weight
HIG-C250RP115H03I54L	250Øx94	Plastic Impeller	2600/2700	76/78	2090
N/A					
N/A					
N/A					
N/A					

Finger Guard Accessory's

Product	Guard Type	Fan Size	Weight (g)
N/A			
N/A			
N/A			

Additional Information

Box Quantity:	6
Weight Per Box:	12.54 KG
Size Per Box:	63×31×31