

HIGHLAND

PREMIUM COOLING SOLUTIONS

At **Highland**, excellence isn't just a standard, it's our legacy. With advanced cooling systems, we deliver solutions that set the benchmark for reliability, performance and customisation.



Unmatched Product Quality and Innovation

Highland products are engineered to exceed industry standards, delivering reliable performance in cooling. With fan accessories – including **finger guards**, **filter screens** and **filter kits** – designed to improve safety, airflow and equipment longevity.



Expert Support and Local Availability

With locally stocked inventory, Highland ensures swift delivery and dedicated support, providing seamless service for all your needs.



Customisable, Tailored Solutions

Backed by decades of experience, Highland offers flexible solutions precisely designed to meet your unique needs in cooling.

**Elevate your design with Highland:
where precision meets innovation.**

Available exclusively through **EAO Ltd.**



+44 1444 236000

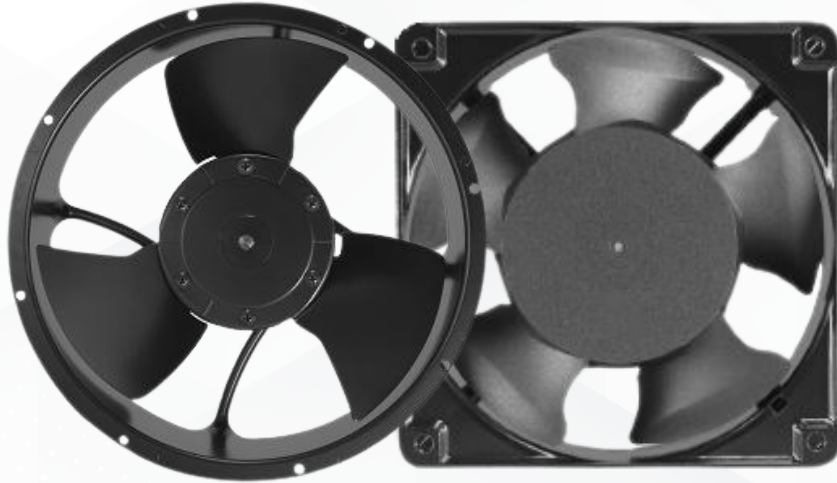


www.motorsandfans.co.uk



**EAO Ltd., Highland House, Albert
Drive, Burgess Hill, RH15 9TN**

ENGINEERED FOR RELIABILITY. BUILT FOR INDUSTRIAL ENVIRONMENTS.



HIGHLAND AC FANS.

Introducing **Highland AC Centrifugal and Axial Fans** – cost-competitive, rugged and engineered for dependable cooling performance. Featuring durable AC induction motors with metal frames, these high quality fans are built to handle demanding environments.



Rugged construction – metal frames with metal or plastic impeller options.



Round and square frames – from 80mm up to 280mm.



Approved to international standards and certificates (CE, TUV and UL).



Local expert support – swift help from knowledgeable specialists.

Powerful. Durable. Versatile. **Highland AC Centrifugal and Axial Fans** deliver performance you can count on.

Get in touch to learn more.

Highland AC Axial Fan Lineup

Full datasheets are shown below the summary table:

Part Number	Fan size	Rated Speed	Power (W)	Rated Voltage	Max. Airflow CFM	Max. Airflow m ³ /min	Max Static Pressure Pa	Connection Method	Material Housing/Impellor
HIG-A080SP230H15I54L	Axial AC Fan 80 X 80 X 25	2550	15	230 VAC	15	0.425	35.3	Lead Wire	Aluminum Housing, Plastic Impellor
HIG-A120SP230H14I54L	Axial AC Fan 120 X 120 X 38	2650	17	230 VAC	95	2.69	87.3	Lead Wire	Aluminum Housing, Plastic Impellor
HIG-A172CP115H13I54T	Axial AC Fan 172 x 151 x 51	3050	27	115 VAC	250	7.08	152	Terminals	Aluminum Housing, Plastic Impellor
HIG-A172CM115H13I54T	Axial AC Fan 172 x 151 x 51	3100	25	115 VAC	250	7.08	152	Terminals	Aluminum Housing, Steel Impellor
HIG-A172CM115M13I54L	Axial AC Fan 172 x 151 x 51	2400	17	115 VAC	185	5.24	48.1	Lead Wire	Aluminum Housing, Steel Impellor
HIG-A172CM115M13I54T	Axial AC Fan 172 x 151 x 51	2400	17	115 VAC	185	5.24	48.1	Terminals	Aluminum Housing, Steel Impellor
HIG-A172CP115S13I54L	Axial AC Fan 172 x 151 x 51	3200	27	115 VAC	270	7.65	196.1	Lead Wire	Aluminum Housing, Plastic Impellor
HIG-A172CM115S13I54L	Axial AC Fan 172 x 151 x 51	3300	26	115 VAC	260	7.36	196.1	Lead Wire	Aluminum Housing, Steel Impellor
HIG-A172CP115S13I54T	Axial AC Fan 172 x 151 x 51	3200	27	115 VAC	270	7.65	196.1	Terminals	Aluminum Housing, Plastic Impellor
HIG-A172CM115S13I54T	Axial AC Fan 172 x 151 x 51	3300	26	115 VAC	260	7.36	196.1	Terminals	Aluminum Housing, Steel Impellor
HIG-A172CP115U13I54L	Axial AC Fan 172 x 151 x 51	3200	40	115 VAC	300	8.5	192.2	Lead Wire	Aluminum Housing, Plastic Impellor
HIG-A172CP115U13I54T	Axial AC Fan 172 x 151 x 51	3200	40	115 VAC	300	8.5	192.2	Terminals	Aluminum Housing, Plastic Impellor
HIG-A172CM230B13I54L	Axial AC Fan 172 x 151 x 51	2700	23	230 VAC	200	5.663	127.5	Lead Wire	Aluminum Housing, Steel Impellor
HIG-A172CP230H13I54L	Axial AC Fan 172 x 151 x 51	2650	26	230 VAC	210	5.947	137.3	Lead Wire	Aluminum Housing, Plastic Impellor
HIG-A172CM230H13I54L	Axial AC Fan 172 x 151 x 51	2700	26	230 VAC	210	5.947	137.3	Lead Wire	Aluminum Housing, Steel Impellor
HIG-A172CP230H13I54T	Axial AC Fan 172 x 151 x 51	2650	26	230 VAC	210	5.947	137.3	Terminals	Aluminum Housing, Plastic Impellor
HIG-A172CM230H13I54T	Axial AC Fan 172 x 151 x 51	2700	26	230 VAC	210	5.947	137.3	Terminals	Aluminum Housing, Steel Impellor
HIG-A172CM230L13I54T	Axial AC Fan 172 x 151 x 51	1850	10	230 VAC	135	3.823	33.3	Terminals	Aluminum Housing, Steel Impellor
HIG-A172CM230M13I54L	Axial AC Fan 172 x 151 x 51	2400	16	230 VAC	174	4.927	64.7	Lead Wire	Aluminum Housing, Steel Impellor
HIG-A172CM230M13I54T	Axial AC Fan 172 x 151 x 51	2400	16	230 VAC	174	4.927	64.7	Terminals	Aluminum Housing, Steel Impellor
HIG-A172CP230S13I54L	Axial AC Fan 172 x 151 x 51	2800	24	230 VAC	230	6.513	161.8	Lead Wire	Aluminum Housing, Plastic Impellor
HIG-A172CM230S13I54L	Axial AC Fan 172 x 151 x 51	2800	23	230 VAC	220	6.23	161.8	Lead Wire	Aluminum Housing, Steel Impellor
HIG-A172CP230S13I54T	Axial AC Fan 172 x 151 x 51	2800	24	230 VAC	230	6.513	161.8	Terminals	Aluminum Housing, Plastic Impellor
HIG-A172CM230S13I54T	Axial AC Fan 172 x 151 x 51	2800	23	230 VAC	220	6.23	161.8	Terminals	Aluminum Housing, Steel Impellor
HIG-A172CP230U13I54T	Axial AC Fan 172 x 151 x 51	2800	39	230 VAC	255	7.221	149.1	Terminals	Aluminum Housing, Plastic Impellor
HIG-A172CMDUAS13I54L	Axial AC Fan 172 x 151 x 51	2650	29	115/230 VAC	200	5.663	122.6	Lead Wire	Aluminum Housing, Steel Impellor
HIG-A151CP115H12I54L	Axial AC Fan 172 x 151 x 55	3050	27	115 VAC	250	7.08	152	Lead Wire	Aluminum Housing, Plastic Impellor
HIG-A151CM115H12I54L	Axial AC Fan 172 x 151 x 55	3100	25	115 VAC	250	7.08	152	Lead Wire	Aluminum Housing, Steel Impellor
HIG-A151CP115H12I54T	Axial AC Fan 172 x 151 x 55	3050	27	115 VAC	250	7.08	152	Terminals	Aluminum Housing, Plastic Impellor
HIG-A151CM115H12I54T	Axial AC Fan 172 x 151 x 55	3100	25	115 VAC	250	7.08	152	Terminals	Aluminum Housing, Steel Impellor
HIG-A151CP115M12I54L	Axial AC Fan 172 x 151 x 55	2400	17	115 VAC	185	5.24	48.1	Lead Wire	Aluminum Housing, Plastic Impellor
HIG-A151CM115M12I54L	Axial AC Fan 172 x 151 x 55	2400	17	115 VAC	185	5.24	48.1	Lead Wire	Aluminum Housing, Steel Impellor
HIG-A151CM115M12I54T	Axial AC Fan 172 x 151 x 55	2400	17	115 VAC	185	5.24	48.1	Terminals	Aluminum Housing, Steel Impellor
HIG-A151CP115S12I54L	Axial AC Fan 172 x 151 x 55	3200	27	115 VAC	270	7.65	196.1	Lead Wire	Aluminum Housing, Plastic Impellor
HIG-A151CM115S12I54L	Axial AC Fan 172 x 151 x 55	3300	26	115 VAC	260	7.36	196.1	Lead Wire	Aluminum Housing, Steel Impellor
HIG-A151CP115S12I54T	Axial AC Fan 172 x 151 x 55	3200	27	115 VAC	270	7.65	196.1	Terminals	Aluminum Housing, Plastic Impellor
HIG-A151CM115S12I54T	Axial AC Fan 172 x 151 x 55	3300	26	115 VAC	260	7.36	196.1	Terminals	Aluminum Housing, Steel Impellor
HIG-A151CP115U12I54L	Axial AC Fan 172 x 151 x 55	3200	40	115 VAC	300	8.5	192.2	Lead Wire	Aluminum Housing, Plastic Impellor
HIG-A151CP115U12I54T	Axial AC Fan 172 x 151 x 55	3200	40	115 VAC	300	8.5	192.2	Terminals	Aluminum Housing, Plastic Impellor
HIG-A151CP230H12I54L	Axial AC Fan 172 x 151 x 55	2650	26	230 VAC	210	5.947	137.3	Lead Wire	Aluminum Housing, Plastic Impellor
HIG-A151CM230H12I54L	Axial AC Fan 172 x 151 x 55	2700	26	230 VAC	210	5.947	137.3	Lead Wire	Aluminum Housing, Steel Impellor
HIG-A151CP230H12I54T	Axial AC Fan 172 x 151 x 55	2650	26	230 VAC	210	5.947	137.3	Terminals	Aluminum Housing, Plastic Impellor
HIG-A151CM230H12I54T	Axial AC Fan 172 x 151 x 55	2700	26	230 VAC	210	5.947	137.3	Terminals	Aluminum Housing, Steel Impellor
HIG-A151CP230S12I54L	Axial AC Fan 172 x 151 x 55	2800	24	230 VAC	230	6.513	161.8	Lead Wire	Aluminum Housing, Plastic Impellor
HIG-A151CM230S12I54L	Axial AC Fan 172 x 151 x 55	2800	23	230 VAC	220	6.23	161.8	Lead Wire	Aluminum Housing, Steel Impellor
HIG-A151CP230S12I54T	Axial AC Fan 172 x 151 x 55	2800	24	230 VAC	230	6.513	161.8	Terminals	Aluminum Housing, Plastic Impellor
HIG-A151CM230S12I54T	Axial AC Fan 172 x 151 x 55	2800	23	230 VAC	220	6.23	161.8	Terminals	Aluminum Housing, Steel Impellor

Part Number	Fan size	Rated Speed	Power (W)	Rated Voltage	Max. Airflow CFM	Max. Airflow m ³ /min	Max Static Pressure Pa	Connection Method	Material Housing/Impellor
HIG-A151CP230U12I54T	Axial AC Fan 172 x 151 x 55	2800	39	230 VAC	255	7.221	149.1	Terminals	Aluminum Housing, Plastic Impeller
HIG-A172RP115H13I54L	Axial AC Fan 172Øx51	3050	27	115 VAC	250	7.08	152	Lead Wire	Aluminum Housing, Plastic Impeller
HIG-A172RM115H13I54L	Axial AC Fan 172Øx51	3100	25	115 VAC	250	7.08	152	Lead Wire	Aluminum Housing, Steel Impeller
HIG-A172RM115H13I54T	Axial AC Fan 172Øx51	3100	25	115 VAC	250	7.08	152	Terminals	Aluminum Housing, Steel Impeller
HIG-A172RP115S13I54L	Axial AC Fan 172Øx51	3300	27	115 VAC	285	8.07	196.1	Lead Wire	Aluminum Housing, Plastic Impeller
HIG-A172RM115S13I54L	Axial AC Fan 172Øx51	3300	26	115 VAC	270	7.65	196.1	Lead Wire	Aluminum Housing, Steel Impeller
HIG-A172RP115S13I54T	Axial AC Fan 172Øx51	3300	27	115 VAC	285	8.07	196.1	Terminals	Aluminum Housing, Plastic Impeller
HIG-A172RM115S13I54T	Axial AC Fan 172Øx51	3300	26	115 VAC	270	7.65	196.1	Terminals	Aluminum Housing, Steel Impeller
HIG-A225SM115H05I54K	Axial AC Fan 225 x 225 x 80	3200	68	115 VAC	670	18.97	201	Terminal block	Aluminum Housing, Steel Impeller
HIG-A225SM230H05I54K	Axial AC Fan 225 x 225 x 80	2800	53	230 VAC	580	16.424	230.5	Terminal block	Aluminum Housing, Steel Impeller
HIG-A254RM115L04I54L	Axial AC Fan 254Øx89	1650	26	115 VAC	440	12.46	77.5	Lead Wire	Aluminum Housing, Steel Impeller
HIG-A254RM115H04I54T	Axial AC Fan 254Øx89	3200	95	115 VAC	860	24.35	210.8	Terminals	Aluminum Housing, Steel Impeller
HIG-A254RM115L04I54T	Axial AC Fan 254Øx89	1650	26	115 VAC	440	12.46	77.5	Terminals	Aluminum Housing, Steel Impeller
HIG-A254RM230H04I54L	Axial AC Fan 254Øx89	2800	66	230 VAC	740	20.954	220.7	Lead Wire	Aluminum Housing, Steel Impeller
HIG-A254RM230H04I54T	Axial AC Fan 254Øx89	2800	66	230 VAC	740	20.954	220.7	Terminals	Aluminum Housing, Steel Impeller
HIG-A254RM230L04I54L	Axial AC Fan 254Øx89	1400	24	230 VAC	370	10.477	61.8	Lead Wire	Aluminum Housing, Steel Impeller
HIG-A254RM230L04I54T	Axial AC Fan 254Øx89	1400	24	230 VAC	370	10.477	61.8	Terminals	Aluminum Housing, Steel Impeller
HIG-A280SM115H05I54K	Axial AC Fan 280 x 280 x 80	2900	138	115 VAC	1200	33.98	201	Terminal block	Aluminum Housing, Steel Impeller
HIG-A280SM230H05I54K	Axial AC Fan 280 x 280 x 80	2650	95	230 VAC	1090	30.865	240.3	Terminal block	Aluminum Housing, Steel Impeller
HIG-A280SM230H05I54K.D	Axial AC Fan 280 x 280 x 80	2650	95	230 VAC	1090	30.865	240.3	Terminal block	Aluminum Housing, Steel Impeller

Highland Axial AC Fan

Part Number: HIG-A080SP230H15I54L

Features:

Size (mm): 80 X 80 X 25

Sleeve Bearing

Aluminum Housing, Plastic Impeller

Insulation Class B, IP54

Impedance-Protected

230 VAC



Product Description

Highland 80mm x 80mm Square 25mm Thick Axial Fan with Plastic Impeller, 230 VAC, High Speed, AC Induction Capacitor Motor, IP54 Protection with Lead Wires

General Specification

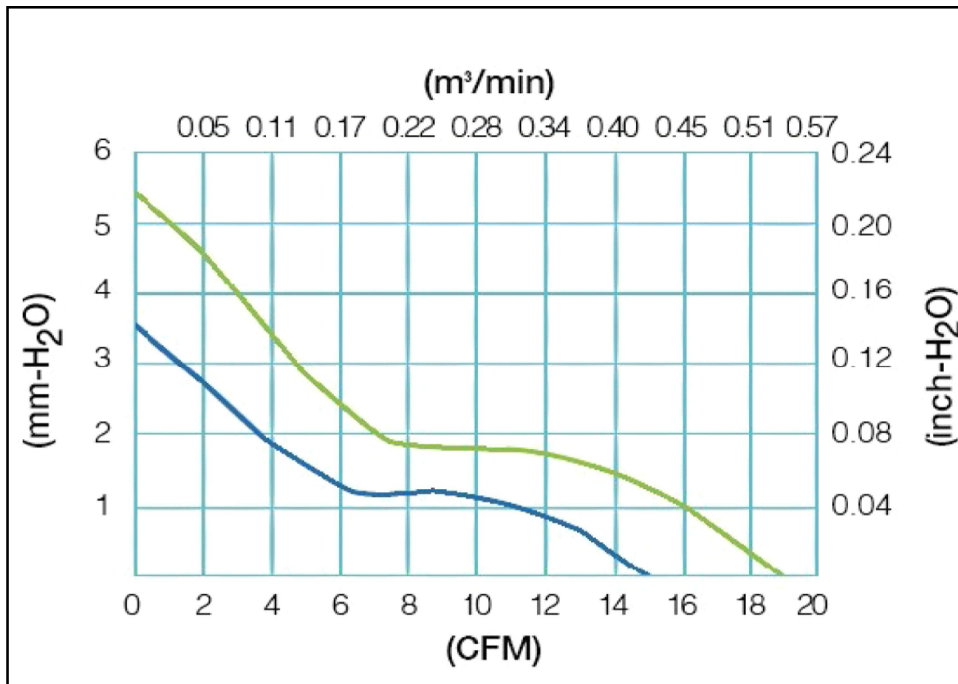
Fan Type	Axial
Operating Voltage	230 VAC
Input Power (W)	15/13
Hz	50/60
Speed (RPM)	2550/3200
Airflow - CFM	15/19
Airflow - cubic m ³ /hr	25.485/32.281
Airflow - m ³ /s	0.425/0.538
Pressure - mmH ² O	3.6/5.5
Pressure - inchH ² O	0.142/0.217
Pressure - Pa	35.304/53.937
Noise dB	29/35
Operating Temperature	-10°C~+55°C
Expected Life (H)	30K @ 40 Degrees Centigrade
Weight (g)	260
Tariff Code	8414.59.6590

Mechanical Specifications

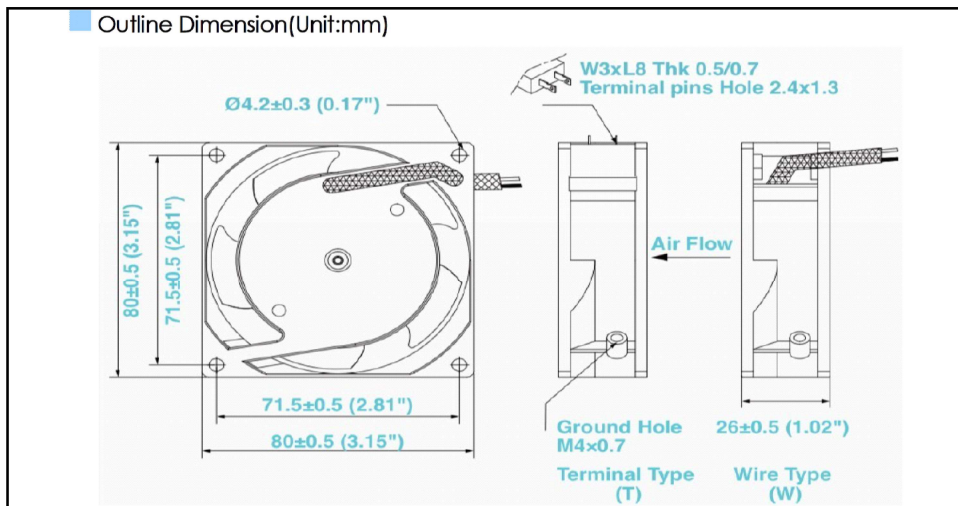
Fan Size	80 X 80 X 25
Frame Material	Aluminium
Impeller	Plastic Impeller

Approvals and Certificates

Approvals	CE	Y
	TUV	Y
	RoSH	Y
	UL	Y



Dimensional Drawing (mm)



Axial Fan



Similar Products

Product	Size	Impeller Material	Speed	Noise	Weight
N/A					
N/A					
N/A					
N/A					
N/A					

Finger Guard Accessory's

Product	Guard Type	Fan Size	Weight (g)
HIG-PF80	Plastic Filter	80	19
HIG-S80	SS Mesh Guard Alu Frame	80	26
HIG-W80	Chrome plated Wire Guard	80	26

Additional Information

Box Quantity:	40
Weight Per Box:	10.4 KG
Size Per Box:	52x21x26

Highland Axial AC Fan

Part Number: HIG-A120SP230H14I54L

Features:

Size (mm): 120 X 120 X 38

Sleeve Bearing

Aluminum Housing, Plastic Impeller

Insulation Class B, IP54

Impedance-Protected

230 VAC



Product Description

Highland 120mm x 120mm Square 38mm Thick Axial Fan with Plastic Impeller, 230 VAC, High Speed, AC Induction Capacitor Motor, IP54 Protection with Lead Wires

General Specification

Fan Type	Axial
Operating Voltage	230 VAC
Hz	50/60
Speed (RPM)	2650/3000
Airflow - CFM	95/105
Airflow - cubic m ³ /hr	161.406/178.396
Airflow - m ³ /s	0.045/0.05
Pressure - mmH ² O	8.9/8.9
Pressure - inchH ² O	0.35/0.35
Pressure - Pa	87.279/87.279
Noise dB	45/49
Operating Temperature	-10°C~+55°C
Expected Life (H)	30K @ 40 Degrees Centigrade
Weight (g)	550
Tariff Code	8414.59.6590

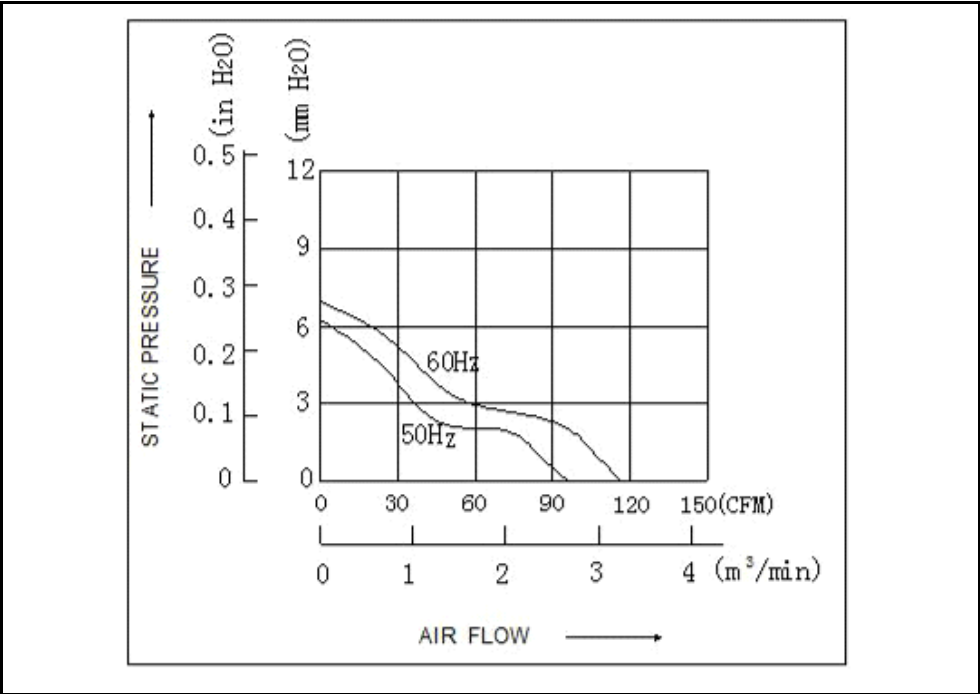
Mechanical Specifications

Fan Size	120 X 120 X 38
Frame Material	Aluminium
Impeller	Plastic Impeller

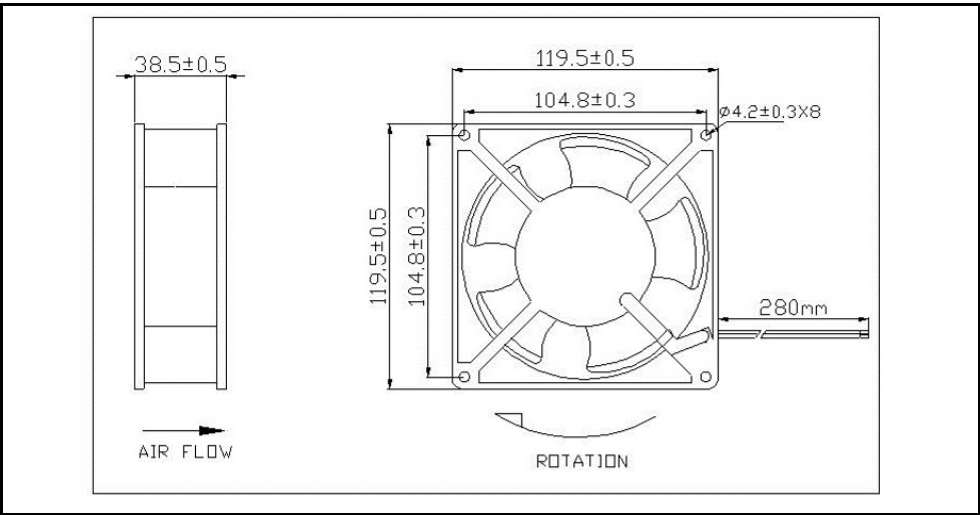
Approvals and Certificates

Approvals	CE	Y
	TUV	Y
	RoSH	Y
	UL	Y

Airflow Graph



Dimensional Drawing (mm)



Similar Products

Product	Size	Impeller Material	Speed	Noise	Weight
N/A					
N/A					
N/A					
N/A					
N/A					

Finger Guard Accessory's

Product	Guard Type	Fan Size	Weight (g)
HIG-PF120	Plastic Filter	120	42
HIG-S120	SS Mesh Guard Alu Frame	120	40
HIG-W120	Chrome plated Wire Guard	120	40

Additional Information

Box Quantity:	40
Weight Per Box:	22 KG
Size Per Box:	53x30x36

Highland Axial AC Fan

Part Number: HIG-A172CM115H12I54L

Features:

Size (mm): 172 x 151 x 55

Maintenance-Free Ball Bearings

Aluminum Housing, Steel Impeller

Insulation Class B, IP54

Thermally Protected (Auto Restart)

115 VAC



Product Description

Highland 172mm x 151mm Side Cut 55mm Thick Axial Fan with Steel (Metal) Impeller, 115 VAC, High Speed, AC Induction Capacitor Motor, IP54 Protection with Lead Wires

General Specification

Fan Type	Axial
Operating Voltage	115 VAC
Hz	50/60
Speed (RPM)	2700/3100
Airflow - CFM	210/250
Airflow - cubic m ³ /hr	356.792/424.753
Airflow - m ³ /s	0.099/0.118
Pressure - mmH ² O	14/15.5
Pressure - inchH ² O	0.551/0.61
Pressure - Pa	137.293/152.003
Noise dB	53/59
Operating Temperature	-20°C to +70°C
Expected Life (H)	70K @ 25 / 45K @ 40 Degrees Centigrade
Weight (g)	840
Tariff Code	8414.59.6590

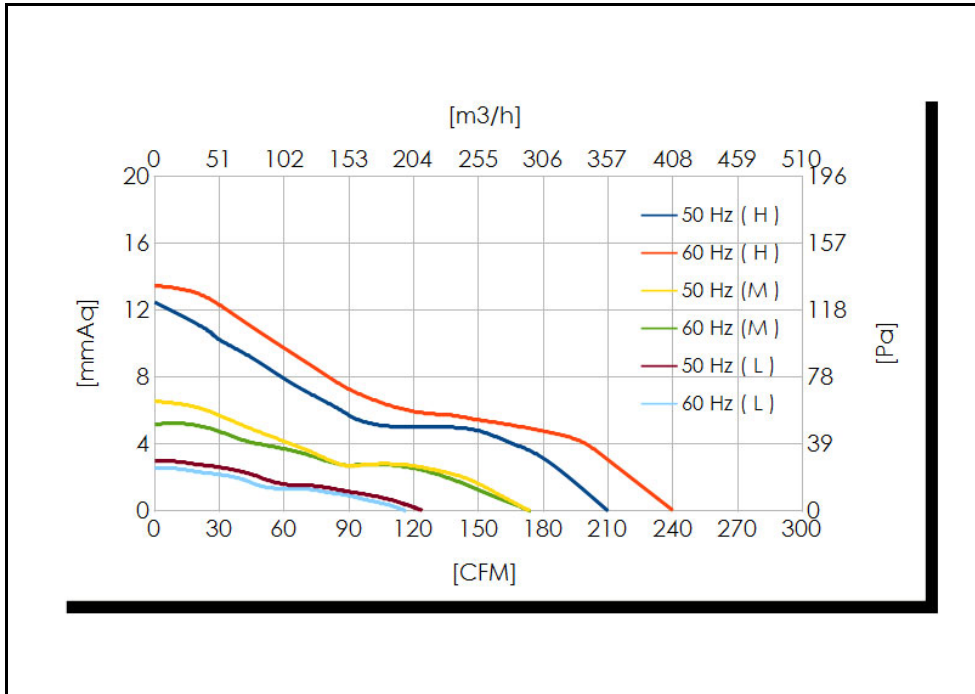
Mechanical Specifications

Fan Size	172 x 151 x 55
Frame Material	Aluminium
Impeller	Steel (Metal) Impeller

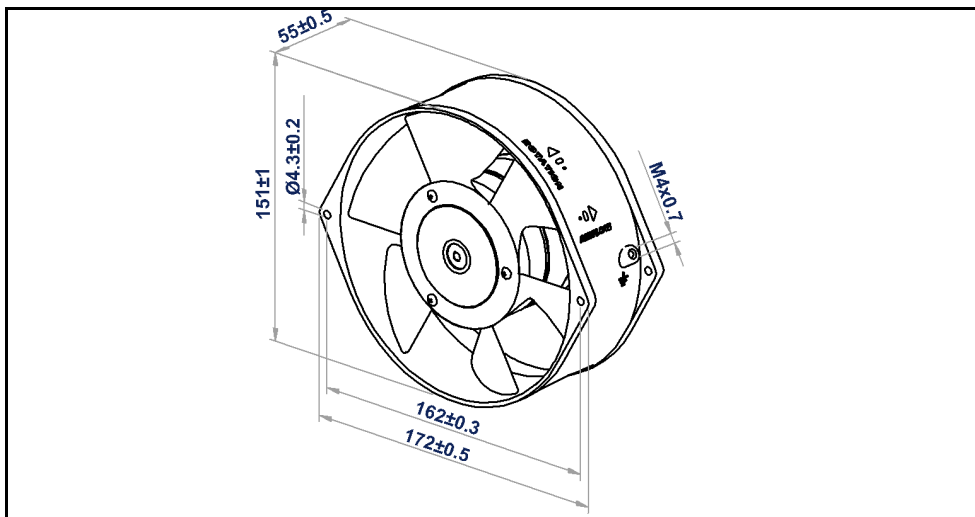
Approvals and Certificates

Approvals	CE	Y
	TUV	Y
	RoSH	Y
	UL	Y

Airflow Graph



Dimensional Drawing (mm)



Similar Products

Product	Size	Impeller Material	Speed	Noise	Weight
HIG-A172CM115M12I54T	172 x 151 x 55	Steel (Metal) Impeller	2400/2400	51/51	840
HIG-A172CP115S12I54L	172 x 151 x 55	Plastic Impeller	2800/3200	55/61	950
HIG-A172CM115S12I54L	172 x 151 x 55				
HIG-A172CP115S12I54T	172 x 151 x 55				
HIG-A172CM115S12I54T	172 x 151 x 55				

Finger Guard Accessory's

Product	Guard Type	Fan Size	Weight (g)
N/A			
N/A			
N/A			

Additional Information

Box Quantity:	12
Weight Per Box:	10.08 KG
Size Per Box:	41×39×21

Highland Axial AC Fan

Part Number: HIG-A172CM115H12I54T

Features:

Size (mm): 172 x 151 x 55

Maintenance-Free Ball Bearings

Aluminum Housing, Steel Impeller

Insulation Class B, IP54

Thermally Protected (Auto Restart)

115 VAC



Product Description

Highland 172mm x 151mm Side Cut 55mm Thick Axial Fan with Steel (Metal) Impeller, 115 VAC, High Speed, AC Induction Capacitor Motor, IP54 Protection with Terminals

General Specification

Fan Type	Axial
Operating Voltage	115 VAC
Hz	50/60
Speed (RPM)	2700/3100
Airflow - CFM	210/250
Airflow - cubic m ³ /hr	356.792/424.753
Airflow - m ³ /s	0.099/0.118
Pressure - mmH ² O	14/15.5
Pressure - inchH ² O	0.551/0.61
Pressure - Pa	137.293/152.003
Noise dB	53/59
Operating Temperature	-20°C to +70°C
Expected Life (H)	70K @ 25 / 45K @ 40 Degrees Centigrade
Weight (g)	840
Tariff Code	8414.59.6590

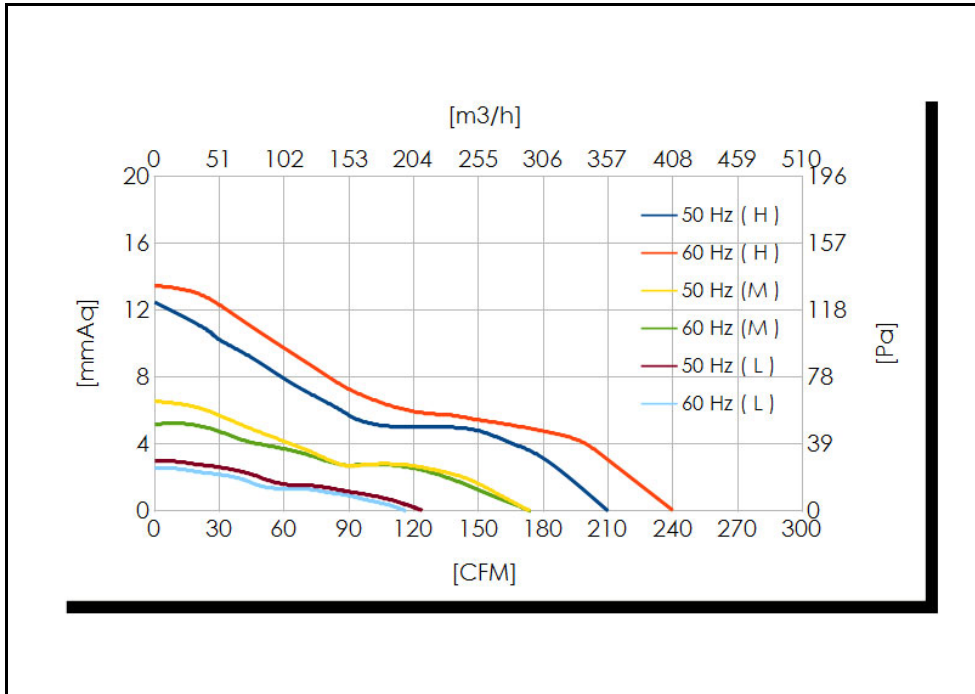
Mechanical Specifications

Fan Size	172 x 151 x 55
Frame Material	Aluminium
Impeller	Steel (Metal) Impeller

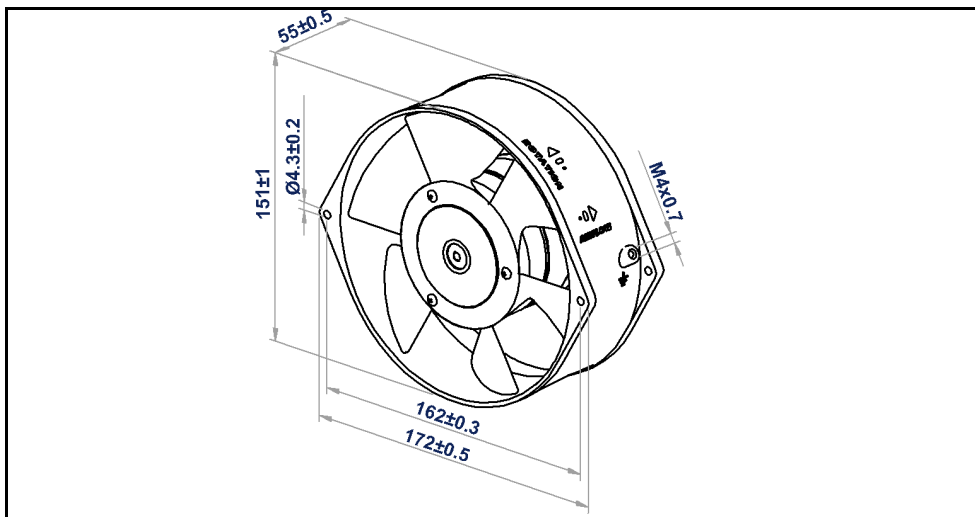
Approvals and Certificates

Approvals	CE	Y
	TUV	Y
	RoSH	Y
	UL	Y

Airflow Graph



Dimensional Drawing (mm)



Similar Products

Product	Size	Impeller Material	Speed	Noise	Weight
HIG-A172CM115M12I54T	172 x 151 x 55	Steel (Metal) Impeller	2400/2400	51/51	840
HIG-A172CP115S12I54L	172 x 151 x 55	Plastic Impeller	2800/3200	55/61	950
HIG-A172CM115S12I54L	172 x 151 x 55				
HIG-A172CP115S12I54T	172 x 151 x 55				
HIG-A172CM115S12I54T	172 x 151 x 55				

Finger Guard Accessory's

Product	Guard Type	Fan Size	Weight (g)
N/A			
N/A			
N/A			

Additional Information

Box Quantity:	12
Weight Per Box:	10.08 KG
Size Per Box:	41×39×21

Highland Axial AC Fan

Part Number: HIG-A172CM115H13I54T

Features:

Size (mm): 172 x 151 x 51

Maintenance-Free Ball Bearings

Aluminum Housing, Steel Impeller

Insulation Class B, IP54

Thermally Protected (Auto Restart)

115 VAC



Product Description

Highland 172mm x 151mm Side Cut 51mm Thick Axial Fan with Steel (Metal) Impeller, 115 VAC, High Speed, AC Induction Capacitor Motor, IP54 Protection with Terminals

General Specification

Fan Type	Axial
Operating Voltage	115 VAC
Hz	50/60
Speed (RPM)	2700/3100
Airflow - CFM	210/250
Airflow - cubic m ³ /hr	356.792/424.753
Airflow - m ³ /s	0.099/0.118
Pressure - mmH ² O	14/15.5
Pressure - inchH ² O	0.551/0.61
Pressure - Pa	137.293/152.003
Noise dB	53/59
Operating Temperature	-20°C to +70°C
Expected Life (H)	70K @ 25 / 45K @ 40 Degrees Centigrade
Weight (g)	940
Tariff Code	8414.59.6590

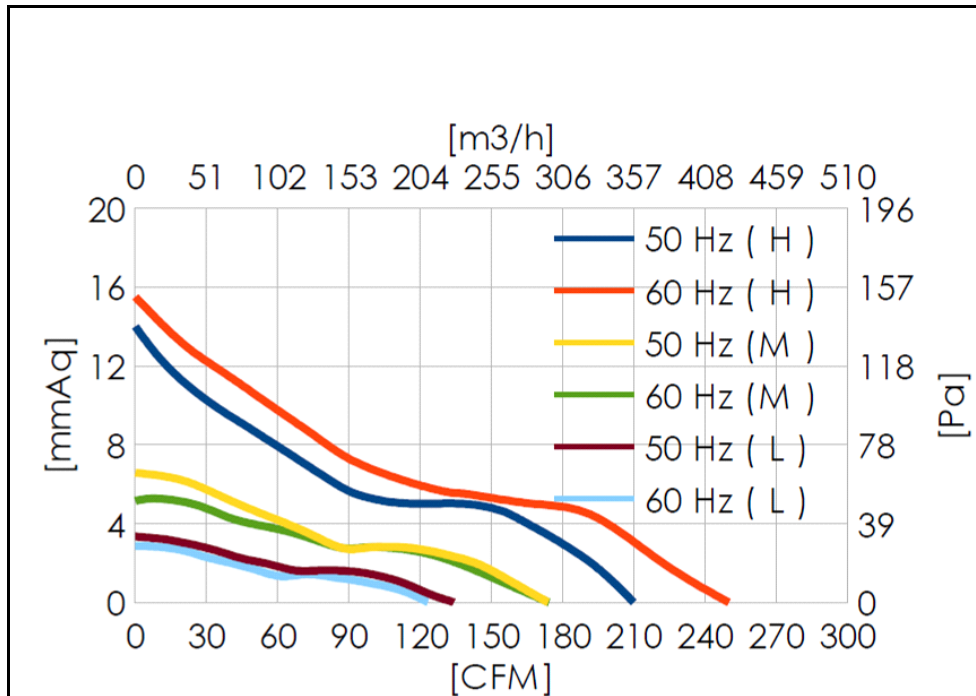
Mechanical Specifications

Fan Size	172 x 151 x 51
Frame Material	Aluminium
Impeller	Steel (Metal) Impeller

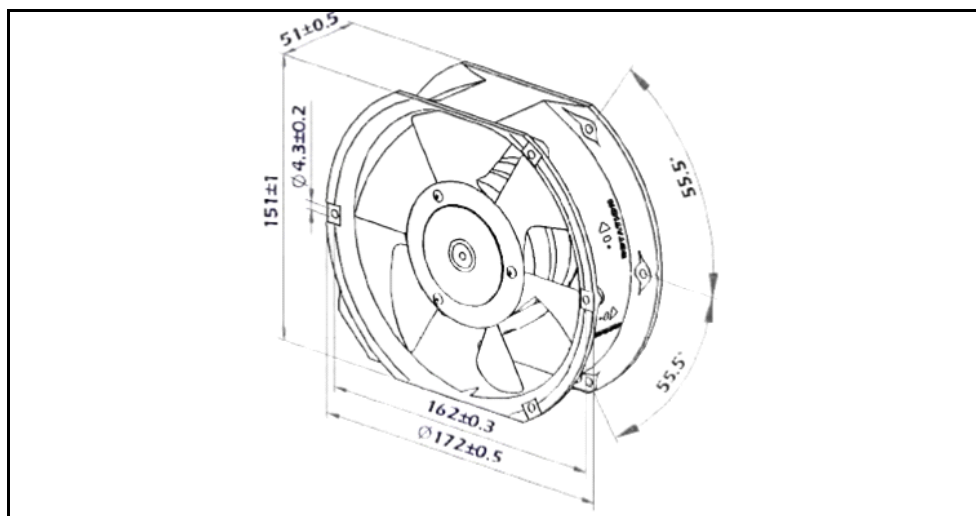
Approvals and Certificates

Approvals	CE	Y
	TUV	Y
	RoSH	Y
	UL	Y

Airflow Graph



Dimensional Drawing (mm)



Similar Products

Product	Size	Impeller Material	Speed	Noise	Weight
HIG-A172CP230S13I54T	172 x 151 x 51	Plastic Impeller	2800/3300	55/61	1050
HIG-A172CM230S13I54T	172 x 151 x 51	Steel (Metal) Impeller	2800/3300	55/61	1080
HIG-A172CP230U13I54L	172 x 151 x 51				
HIG-A172CP230U13I54T	172 x 151 x 51				
HIG-A172CMDUAS13I54L	172 x 151 x 51				

Finger Guard Accessory's

Product	Guard Type	Fan Size	Weight (g)
N/A			
N/A			
N/A			

Additional Information

Box Quantity:	12
Weight Per Box:	11.28 KG
Size Per Box:	41×39×21

Highland Axial AC Fan

Part Number: **HIG-A172CM115M12I54L**

Features:

Size (mm): 172 x 151 x 55

Maintenance-Free Ball Bearings

Aluminum Housing, Steel Impeller

Insulation Class B, IP54

Thermally Protected (Auto Restart)

115 VAC



Product Description

Highland 172mm x 151mm Side Cut 55mm Thick Axial Fan with Steel (Metal) Impeller, 115 VAC, Medium Speed, AC Induction Capacitor Motor, IP54 Protection with Lead Wires

General Specification

Fan Type	Axial
Operating Voltage	115 VAC
Hz	50/60
Speed (RPM)	2400/2400
Airflow - CFM	183/185
Airflow - cubic m ³ /hr	310.919/314.317
Airflow - m ³ /s	0.086/0.087
Pressure - mmH ² O	6.3/4.9
Pressure - inchH ² O	0.248/0.193
Pressure - Pa	61.782/48.053
Noise dB	51/51
Operating Temperature	-20°C to +70°C
Expected Life (H)	70K @ 25 / 45K @ 40 Degrees Centigrade
Weight (g)	840
Tariff Code	8414.59.6590

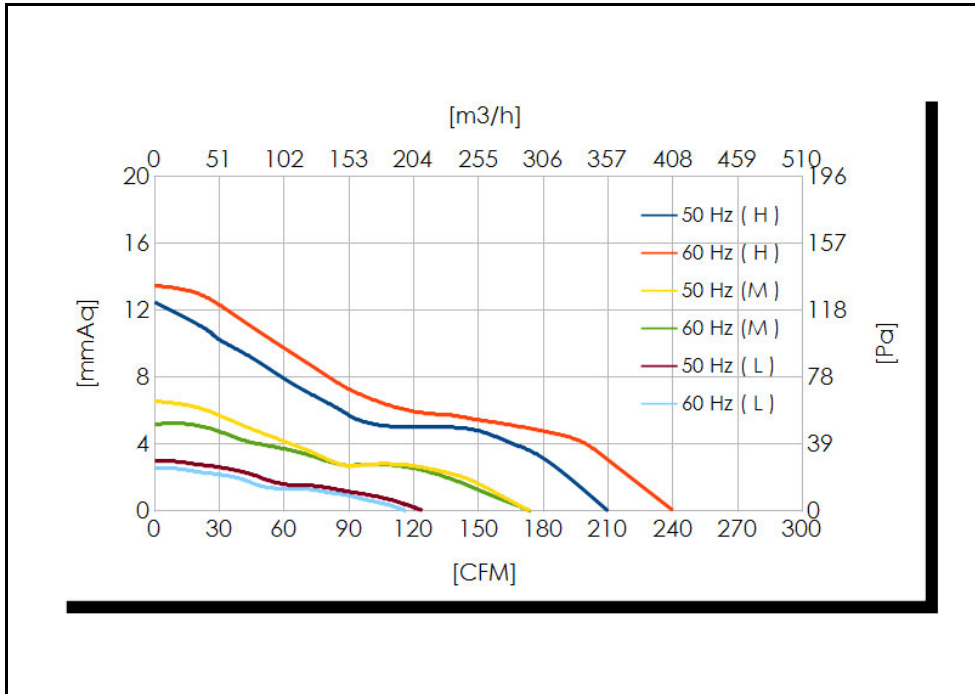
Mechanical Specifications

Fan Size	172 x 151 x 55
Frame Material	Aluminium
Impeller	Steel (Metal) Impeller

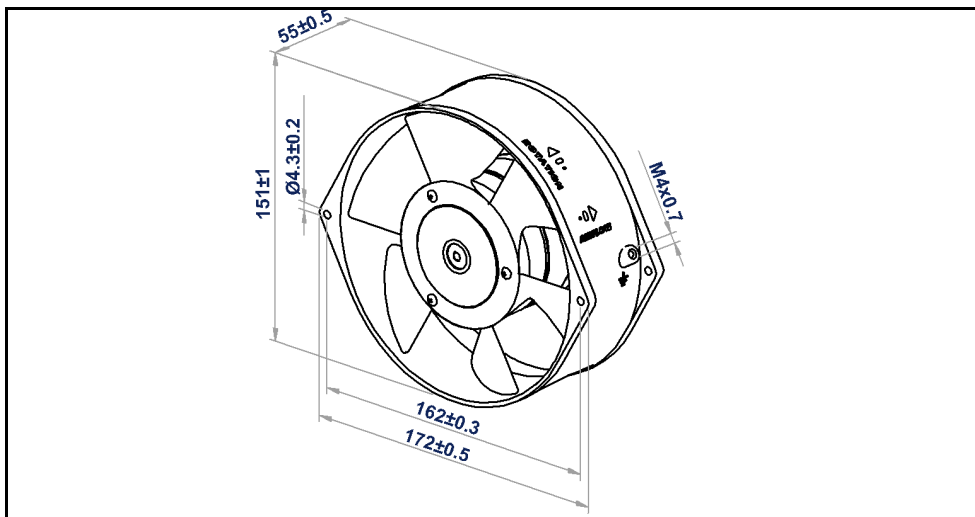
Approvals and Certificates

Approvals	CE	Y
	TUV	Y
	RoSH	Y
	UL	Y

Airflow Graph



Dimensional Drawing (mm)



Similar Products

Product	Size	Impeller Material	Speed	Noise	Weight
HIG-A172CM115M12I54T	172 x 151 x 55	Steel (Metal) Impeller	2400/2400	51/51	840
HIG-A172CP115S12I54L	172 x 151 x 55	Plastic Impeller	2800/3200	55/61	950
HIG-A172CM115S12I54L	172 x 151 x 55				
HIG-A172CP115S12I54T	172 x 151 x 55				
HIG-A172CM115S12I54T	172 x 151 x 55				

Finger Guard Accessory's

Product	Guard Type	Fan Size	Weight (g)
N/A			
N/A			
N/A			

Additional Information

Box Quantity:	12
Weight Per Box:	10.08 KG
Size Per Box:	41×39×21

Highland Axial AC Fan

Part Number: HIG-A172CM115M12I54T

Features:

Size (mm): 172 x 151 x 55

Maintenance-Free Ball Bearings

Aluminum Housing, Steel Impeller

Insulation Class B, IP54

Thermally Protected (Auto Restart)

115 VAC



Product Description

Highland 172mm x 151mm Side Cut 55mm Thick Axial Fan with Steel (Metal) Impeller, 115 VAC, Medium Speed, AC Induction Capacitor Motor, IP54 Protection with Terminals

General Specification

Fan Type	Axial
Operating Voltage	115 VAC
Hz	50/60
Speed (RPM)	2400/2400
Airflow - CFM	183/185
Airflow - cubic m ³ /hr	310.919/314.317
Airflow - m ³ /s	0.086/0.087
Pressure - mmH ² O	6.3/4.9
Pressure - inchH ² O	0.248/0.193
Pressure - Pa	61.782/48.053
Noise dB	51/51
Operating Temperature	-20°C to +70°C
Expected Life (H)	70K @ 25 / 45K @ 40 Degrees Centigrade
Weight (g)	840
Tariff Code	8414.59.6590

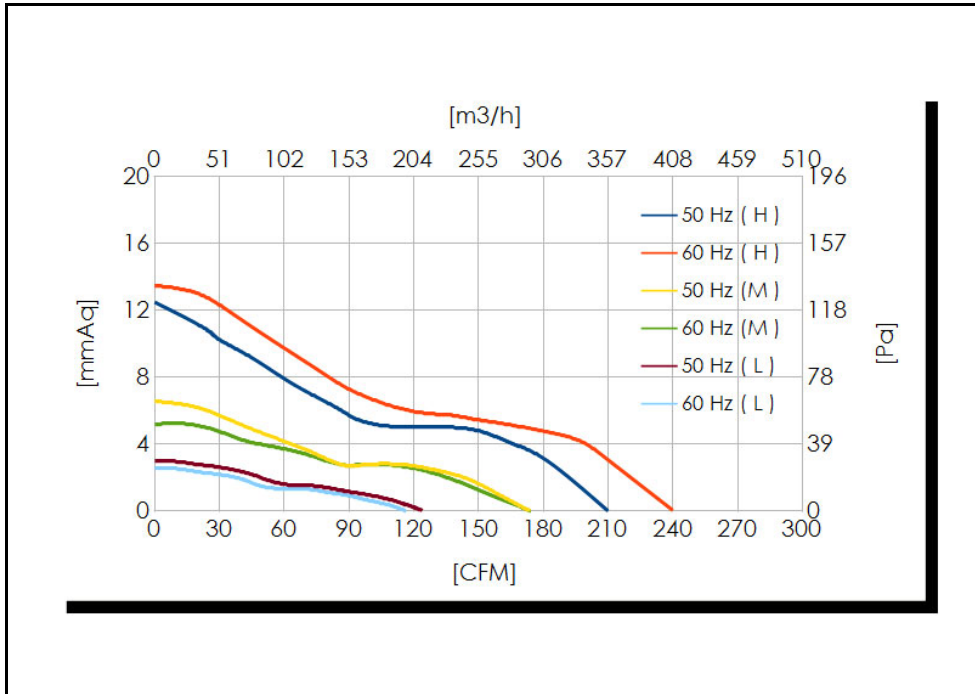
Mechanical Specifications

Fan Size	172 x 151 x 55
Frame Material	Aluminium
Impeller	Steel (Metal) Impeller

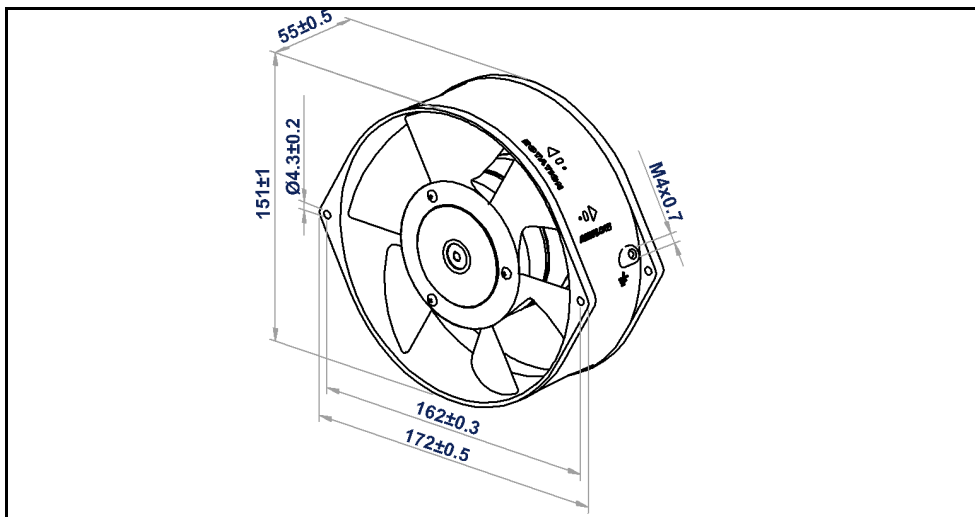
Approvals and Certificates

Approvals	CE	Y
	TUV	Y
	RoSH	Y
	UL	Y

Airflow Graph



Dimensional Drawing (mm)



Similar Products

Product	Size	Impeller Material	Speed	Noise	Weight
HIG-A172CM115H12I54L	172 x 151 x 55	Steel (Metal) Impeller	2700/3100	53/59	840
HIG-A172CP115H12I54T	172 x 151 x 55	Plastic Impeller	2650/3050	53/59	820
HIG-A172CM115H12I54T	172 x 151 x 55				
HIG-A172CP115M12I54L	172 x 151 x 55				
HIG-A172CM115M12I54L	172 x 151 x 55				

Finger Guard Accessory's

Product	Guard Type	Fan Size	Weight (g)
N/A			
N/A			
N/A			

Additional Information

Box Quantity:	12
Weight Per Box:	10.08 KG
Size Per Box:	41×39×21

Highland Axial AC Fan

Part Number: HIG-A172CM115M13I54L

Features:

Size (mm): 172 x 151 x 51

Maintenance-Free Ball Bearings

Aluminum Housing, Steel Impeller

Insulation Class B, IP54

Thermally Protected (Auto Restart)

115 VAC



Product Description

Highland 172mm x 151mm Side Cut 51mm Thick Axial Fan with Steel (Metal) Impeller, 115 VAC, Medium Speed, AC Induction Capacitor Motor, IP54 Protection with Lead Wires

General Specification

Fan Type	Axial
Operating Voltage	115 VAC
Hz	50/60
Speed (RPM)	2400/2400
Airflow - CFM	183/185
Airflow - cubic m ³ /hr	310.919/314.317
Airflow - m ³ /s	0.086/0.087
Pressure - mmH ² O	6.3/4.9
Pressure - inchH ² O	0.248/0.193
Pressure - Pa	61.782/48.053
Noise dB	51/51
Operating Temperature	-20°C to +70°C
Expected Life (H)	70K @ 25 / 45K @ 40 Degrees Centigrade
Weight (g)	940
Tariff Code	8414.59.6590

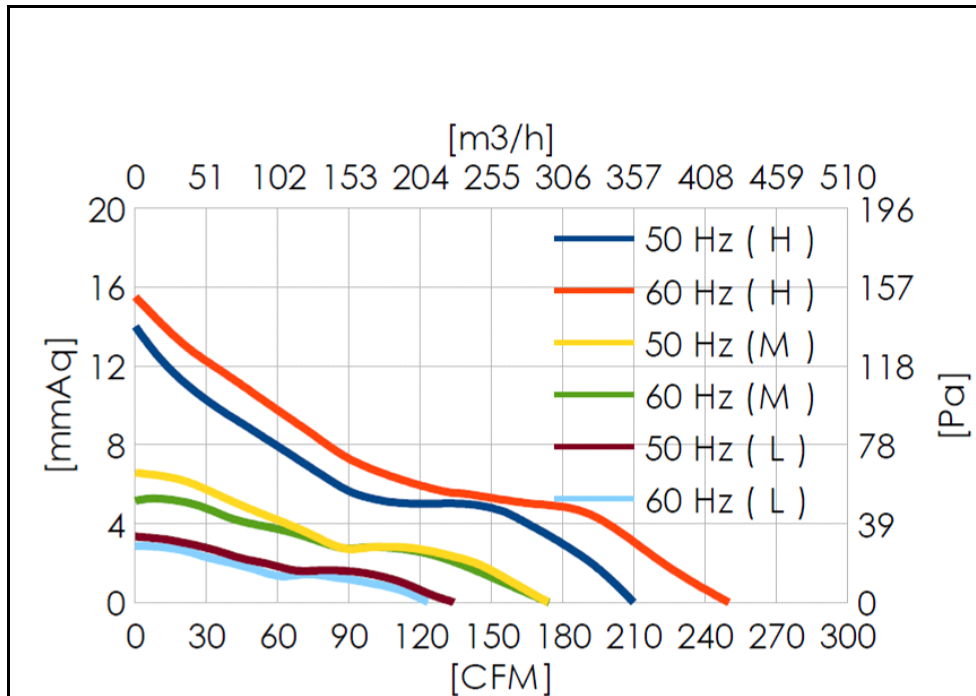
Mechanical Specifications

Fan Size	172 x 151 x 51
Frame Material	Aluminium
Impeller	Steel (Metal) Impeller

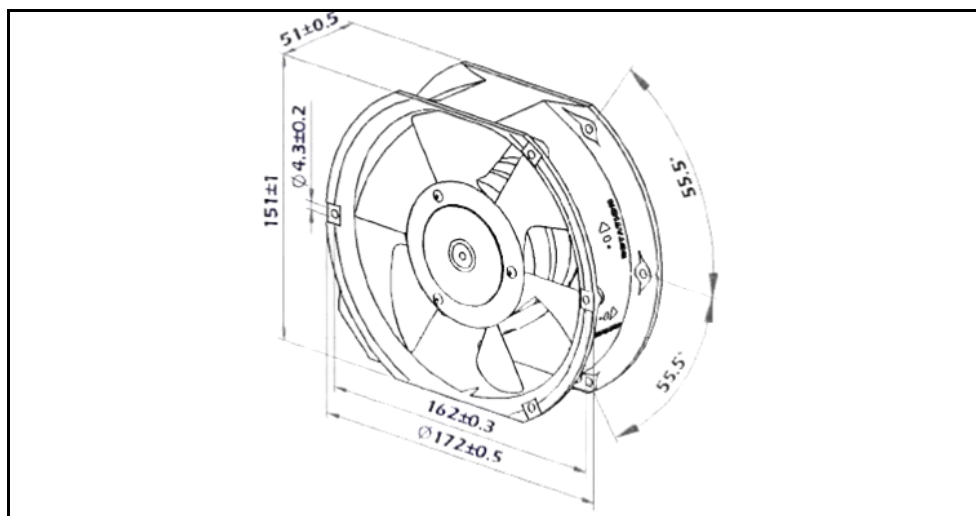
Approvals and Certificates

Approvals	CE	Y
	TUV	Y
	RoSH	Y
	UL	Y

Airflow Graph



Dimensional Drawing (mm)



Similar Products

Product	Size	Impeller Material	Speed	Noise	Weight
HIG-A172CP230S13I54T	172 x 151 x 51	Plastic Impeller	2800/3300	55/61	1050
HIG-A172CM230S13I54T	172 x 151 x 51	Steel (Metal) Impeller	2800/3300	55/61	1080
HIG-A172CP230U13I54L	172 x 151 x 51				
HIG-A172CP230U13I54T	172 x 151 x 51				
HIG-A172CMDUAS13I54L	172 x 151 x 51				

Finger Guard Accessory's

Product	Guard Type	Fan Size	Weight (g)
N/A			
N/A			
N/A			

Additional Information

Box Quantity:	12
Weight Per Box:	11.28 KG
Size Per Box:	41×39×21

Highland Axial AC Fan

Part Number: HIG-A172CM115M13I54T

Features:

Size (mm): 172 x 151 x 51

Maintenance-Free Ball Bearings

Aluminum Housing, Steel Impeller

Insulation Class B, IP54

Thermally Protected (Auto Restart)

115 VAC



Product Description

Highland 172mm x 151mm Side Cut 51mm Thick Axial Fan with Steel (Metal) Impeller, 115 VAC, Medium Speed, AC Induction Capacitor Motor, IP54 Protection with Terminals

General Specification

Fan Type	Axial
Operating Voltage	115 VAC
Hz	50/60
Speed (RPM)	2400/2400
Airflow - CFM	183/185
Airflow - cubic m ³ /hr	310.919/314.317
Airflow - m ³ /s	0.086/0.087
Pressure - mmH ² O	6.3/4.9
Pressure - inchH ² O	0.248/0.193
Pressure - Pa	61.782/48.053
Noise dB	51/51
Operating Temperature	-20°C to +70°C
Expected Life (H)	70K @ 25 / 45K @ 40 Degrees Centigrade
Weight (g)	940
Tariff Code	8414.59.6590

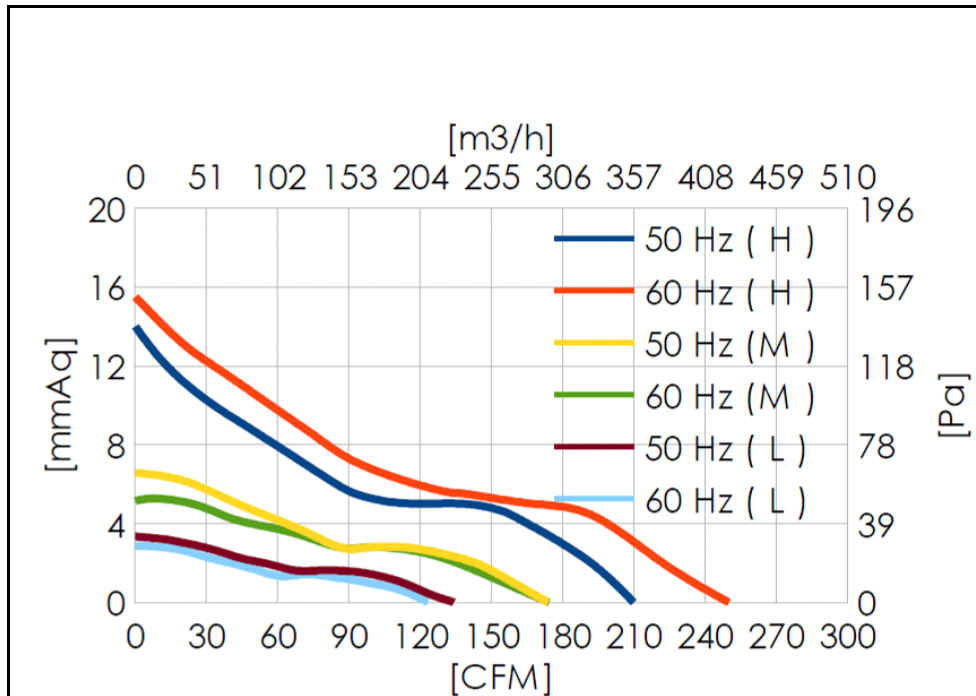
Mechanical Specifications

Fan Size	172 x 151 x 51
Frame Material	Aluminium
Impeller	Steel (Metal) Impeller

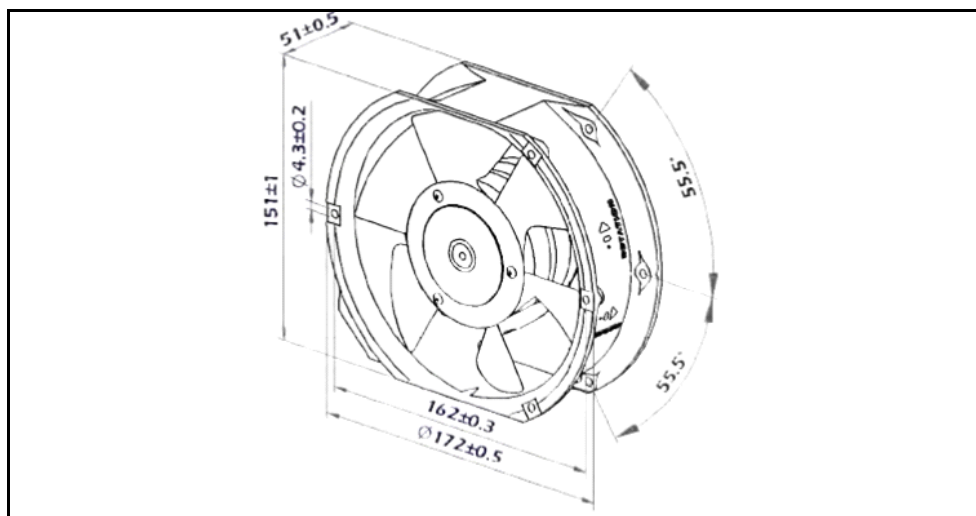
Approvals and Certificates

Approvals	CE	Y
	TUV	Y
	RoSH	Y
	UL	Y

Airflow Graph



Dimensional Drawing (mm)



Similar Products

Product	Size	Impeller Material	Speed	Noise	Weight
HIG-A172CP230S13I54T	172 x 151 x 51	Plastic Impeller	2800/3300	55/61	1050
HIG-A172CM230S13I54T	172 x 151 x 51	Steel (Metal) Impeller	2800/3300	55/61	1080
HIG-A172CP230U13I54L	172 x 151 x 51				
HIG-A172CP230U13I54T	172 x 151 x 51				
HIG-A172CMDUAS13I54L	172 x 151 x 51				

Finger Guard Accessory's

Product	Guard Type	Fan Size	Weight (g)
N/A			
N/A			
N/A			

Additional Information

Box Quantity:	12
Weight Per Box:	11.28 KG
Size Per Box:	41×39×21

Highland Axial AC Fan

Part Number: **HIG-A172CM115S12I54L**

Features:

Size (mm): 172 x 151 x 55

Maintenance-Free Ball Bearings

Aluminum Housing, Steel Impeller

Insulation Class B, IP54

Thermally Protected (Auto Restart)

115 VAC



Product Description

Highland 172mm x 151mm Side Cut 55mm Thick Axial Fan with Steel (Metal) Impeller, 115 VAC, Super Speed, AC Induction Capacitor Motor, IP54 Protection with Lead Wires

General Specification

Fan Type	Axial
Operating Voltage	115 VAC
Hz	50/60
Speed (RPM)	2800/3300
Airflow - CFM	220/260
Airflow - cubic m ³ /hr	373.782/441.743
Airflow - m ³ /s	0.104/0.123
Pressure - mmH ² O	16.5/20.0
Pressure - inchH ² O	0.65/0.787
Pressure - Pa	161.81/196.133
Noise dB	55/61
Operating Temperature	-20°C to +70°C
Expected Life (H)	70K @ 25 / 45K @ 40 Degrees Centigrade
Weight (g)	980
Tariff Code	8414.59.6590

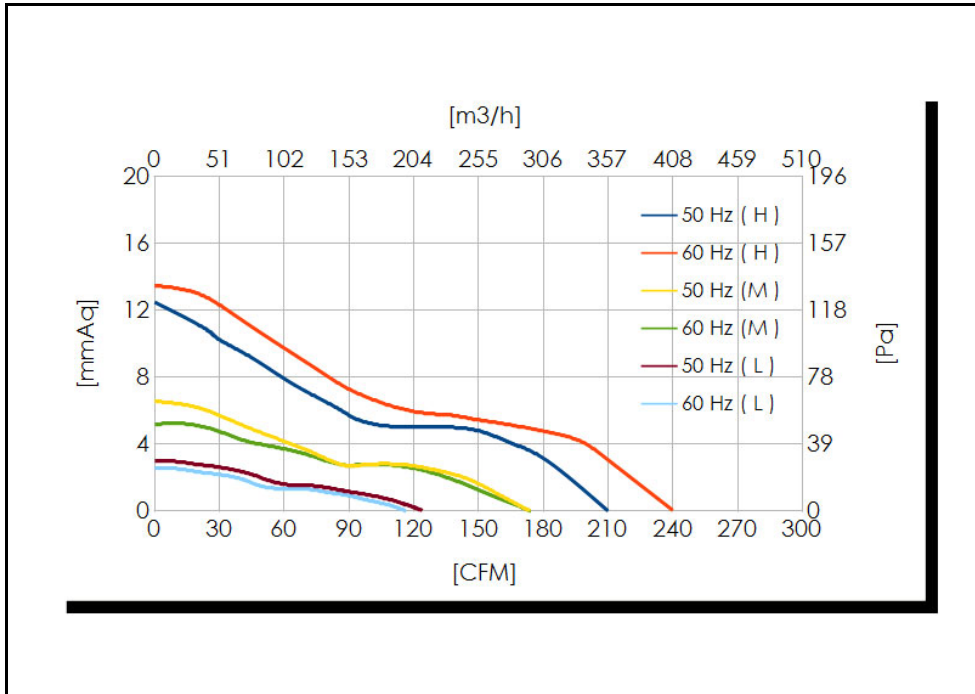
Mechanical Specifications

Fan Size	172 x 151 x 55
Frame Material	Aluminium
Impeller	Steel (Metal) Impeller

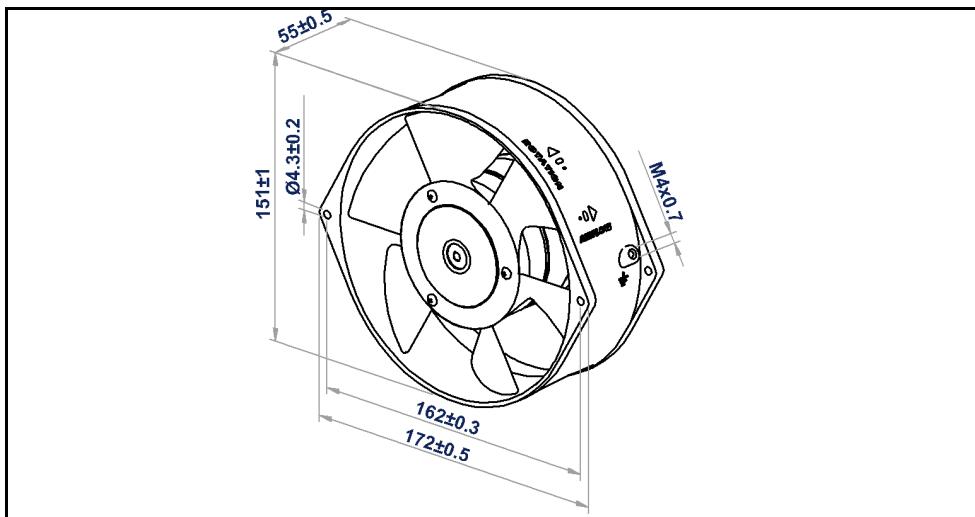
Approvals and Certificates

Approvals	CE	Y
	TUV	Y
	RoSH	Y
	UL	Y

Airflow Graph



Dimensional Drawing (mm)



Similar Products

Product	Size	Impeller Material	Speed	Noise	Weight
HIG-A172CM115H12I54L	172 x 151 x 55	Steel (Metal) Impeller	2700/3100	53/59	840
HIG-A172CP115H12I54T	172 x 151 x 55	Plastic Impeller	2650/3050	53/59	820
HIG-A172CM115H12I54T	172 x 151 x 55				
HIG-A172CP115M12I54L	172 x 151 x 55				
HIG-A172CM115M12I54L	172 x 151 x 55				

Finger Guard Accessory's

Product	Guard Type	Fan Size	Weight (g)
N/A			
N/A			
N/A			

Additional Information

Box Quantity:	12
Weight Per Box:	11.76 KG
Size Per Box:	41×39×21

Highland Axial AC Fan

Part Number: HIG-A172CM115S12I54T

Features:

Size (mm): 172 x 151 x 55

Maintenance-Free Ball Bearings

Aluminum Housing, Steel Impeller

Insulation Class B, IP54

Thermally Protected (Auto Restart)

115 VAC



Product Description

Highland 172mm x 151mm Side Cut 55mm Thick Axial Fan with Steel (Metal) Impeller, 115 VAC, Super Speed, AC Induction Capacitor Motor, IP54 Protection with Terminals

General Specification

Fan Type	Axial
Operating Voltage	115 VAC
Hz	50/60
Speed (RPM)	2800/3300
Airflow - CFM	220/260
Airflow - cubic m ³ /hr	373.782/441.743
Airflow - m ³ /s	0.104/0.123
Pressure - mmH ² O	16.5/20.0
Pressure - inchH ² O	0.65/0.787
Pressure - Pa	161.81/196.133
Noise dB	55/61
Operating Temperature	-20°C to +70°C
Expected Life (H)	70K @ 25 / 45K @ 40 Degrees Centigrade
Weight (g)	980
Tariff Code	8414.59.6590

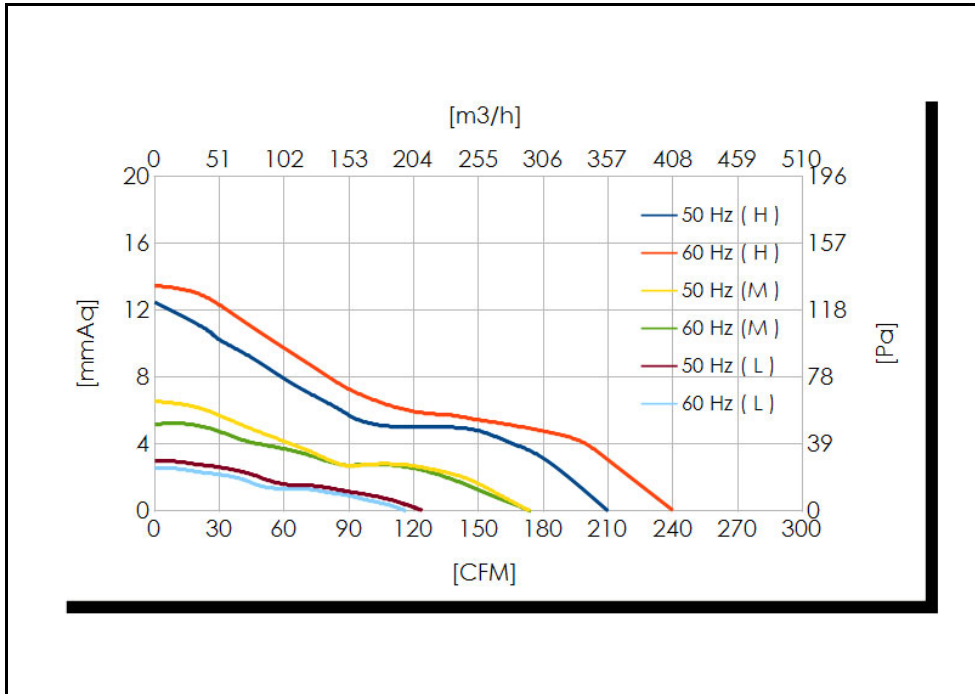
Mechanical Specifications

Fan Size	172 x 151 x 55
Frame Material	Aluminium
Impeller	Steel (Metal) Impeller

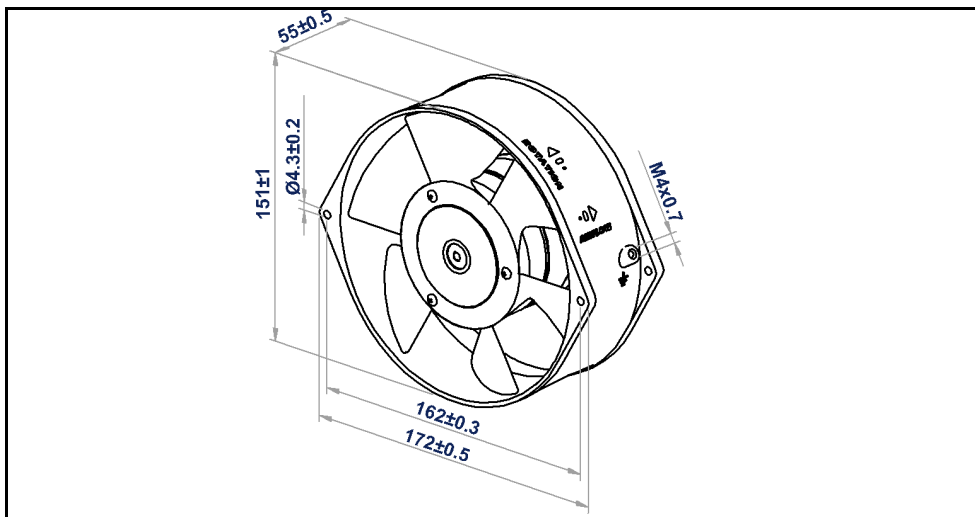
Approvals and Certificates

Approvals	CE	Y
	TUV	Y
	RoSH	Y
	UL	Y

Airflow Graph



Dimensional Drawing (mm)



Similar Products

Product	Size	Impeller Material	Speed	Noise	Weight
HIG-A172CM115H12I54L	172 x 151 x 55	Steel (Metal) Impeller	2700/3100	53/59	840
HIG-A172CP115H12I54T	172 x 151 x 55	Plastic Impeller	2650/3050	53/59	820
HIG-A172CM115H12I54T	172 x 151 x 55				
HIG-A172CP115M12I54L	172 x 151 x 55				
HIG-A172CM115M12I54L	172 x 151 x 55				

Finger Guard Accessory's

Product	Guard Type	Fan Size	Weight (g)
N/A			
N/A			
N/A			

Additional Information

Box Quantity:	12
Weight Per Box:	11.76 KG
Size Per Box:	41×39×21

Highland Axial AC Fan

Part Number: **HIG-A172CM115S13I54L**

Features:

Size (mm): 172 x 151 x 51

Maintenance-Free Ball Bearings

Aluminum Housing, Steel Impeller

Insulation Class B, IP54

Thermally Protected (Auto Restart)

115 VAC



Product Description

Highland 172mm x 151mm Side Cut 51mm Thick Axial Fan with Steel (Metal) Impeller, 115 VAC, Super Speed, AC Induction Capacitor Motor, IP54 Protection with Lead Wires

General Specification

Fan Type	Axial
Operating Voltage	115 VAC
Hz	50/60
Speed (RPM)	2800/3300
Airflow - CFM	220/260
Airflow - cubic m ³ /hr	373.782/441.743
Airflow - m ³ /s	0.104/0.123
Pressure - mmH ² O	16.5/20.0
Pressure - inchH ² O	0.65/0.787
Pressure - Pa	161.81/196.133
Noise dB	55/61
Operating Temperature	-20°C to +70°C
Expected Life (H)	70K @ 25 / 45K @ 40 Degrees Centigrade
Weight (g)	1080
Tariff Code	8414.59.6590

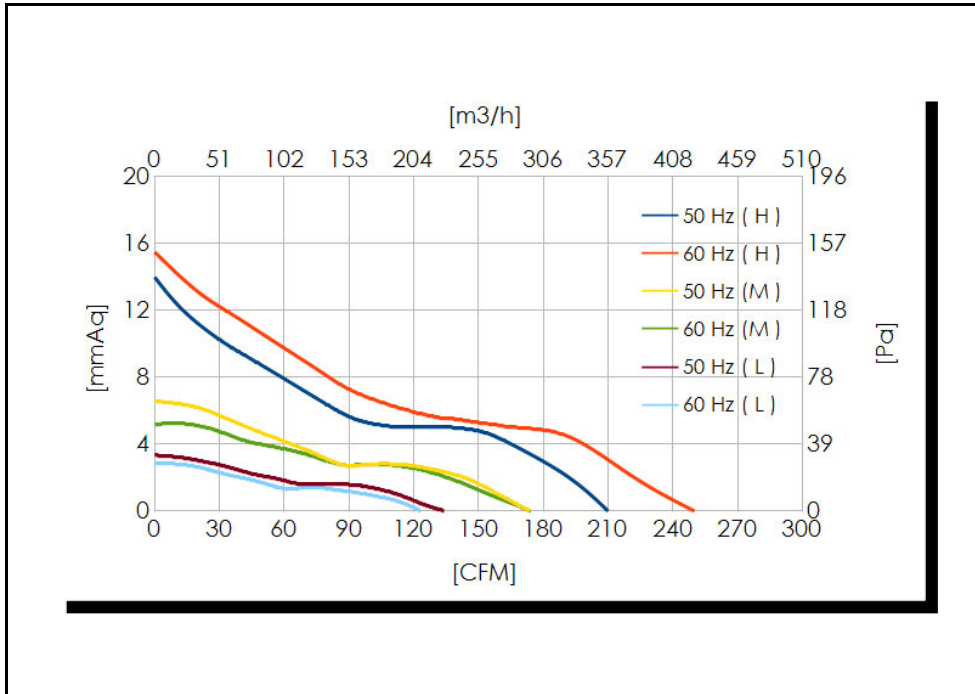
Mechanical Specifications

Fan Size	172 x 151 x 51
Frame Material	Aluminium
Impeller	Steel (Metal) Impeller

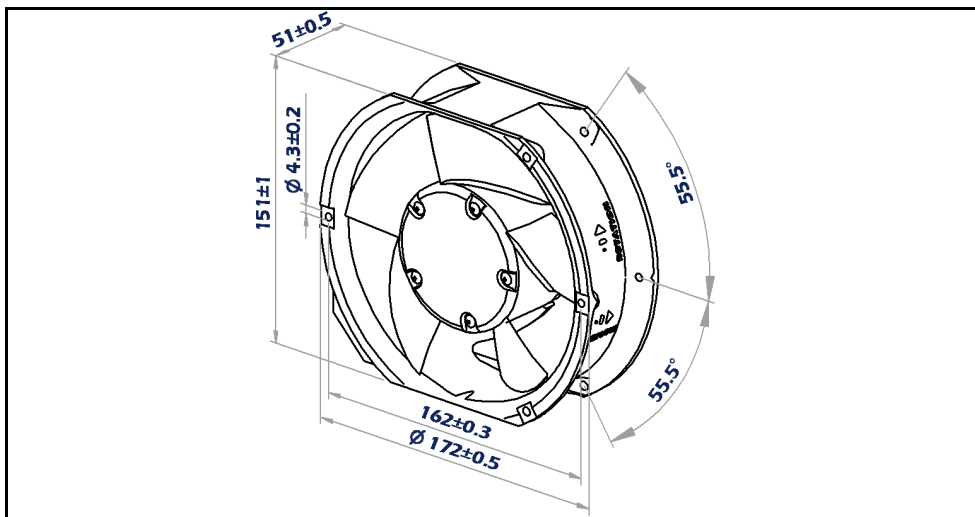
Approvals and Certificates

Approvals	CE	Y
	TUV	Y
	RoSH	Y
	UL	Y

Airflow Graph



Dimensional Drawing (mm)



Similar Products

Product	Size	Impeller Material	Speed	Noise	Weight
HIG-A172CP230S13I54T	172 x 151 x 51	Plastic Impeller	2800/3300	55/61	1050
HIG-A172CM230S13I54T	172 x 151 x 51	Steel (Metal) Impeller	2800/3300	55/61	1080
HIG-A172CP230U13I54L	172 x 151 x 51				
HIG-A172CP230U13I54T	172 x 151 x 51				
HIG-A172CMDUAS13I54L	172 x 151 x 51				

Finger Guard Accessory's

Product	Guard Type	Fan Size	Weight (g)
N/A			
N/A			
N/A			

Additional Information

Box Quantity:	12
Weight Per Box:	12.96 KG
Size Per Box:	41×39×21

Highland Axial AC Fan

Part Number: HIG-A172CM115S13I54T

Features:

Size (mm): 172 x 151 x 51

Maintenance-Free Ball Bearings

Aluminum Housing, Steel Impeller

Insulation Class B, IP54

Thermally Protected (Auto Restart)

115 VAC



Product Description

Highland 172mm x 151mm Side Cut 51mm Thick Axial Fan with Steel (Metal) Impeller, 115 VAC, Super Speed, AC Induction Capacitor Motor, IP54 Protection with Terminals

General Specification

Fan Type	Axial
Operating Voltage	115 VAC
Hz	50/60
Speed (RPM)	2800/3300
Airflow - CFM	220/260
Airflow - cubic m ³ /hr	373.782/441.743
Airflow - m ³ /s	0.104/0.123
Pressure - mmH ² O	16.5/20.0
Pressure - inchH ² O	0.65/0.787
Pressure - Pa	161.81/196.133
Noise dB	55/61
Operating Temperature	-20°C to +70°C
Expected Life (H)	70K @ 25 / 45K @ 40 Degrees Centigrade
Weight (g)	1080
Tariff Code	8414.59.6590

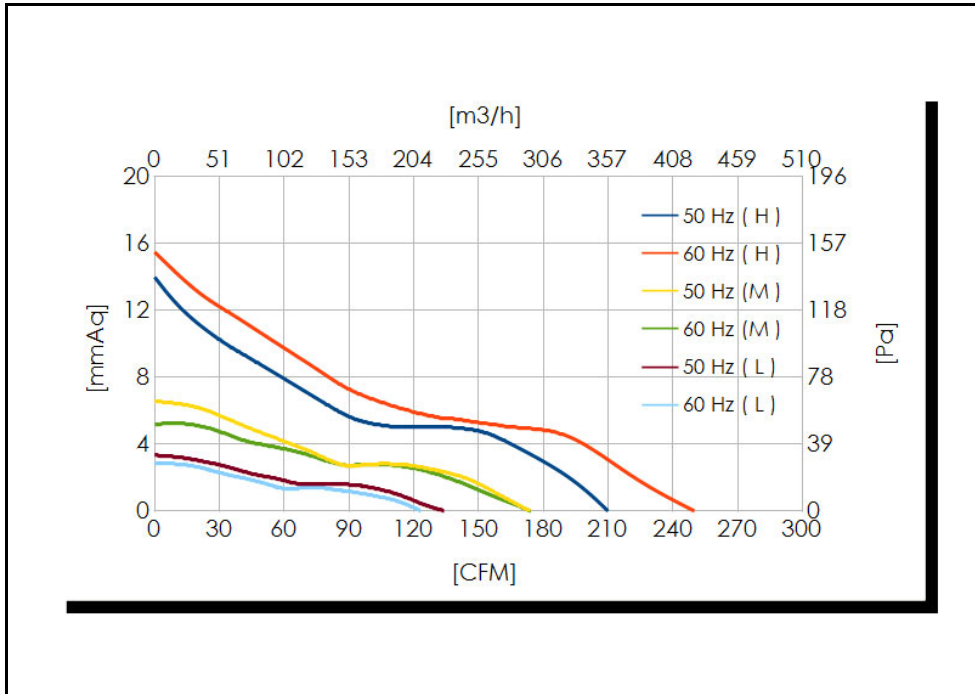
Mechanical Specifications

Fan Size	172 x 151 x 51
Frame Material	Aluminium
Impeller	Steel (Metal) Impeller

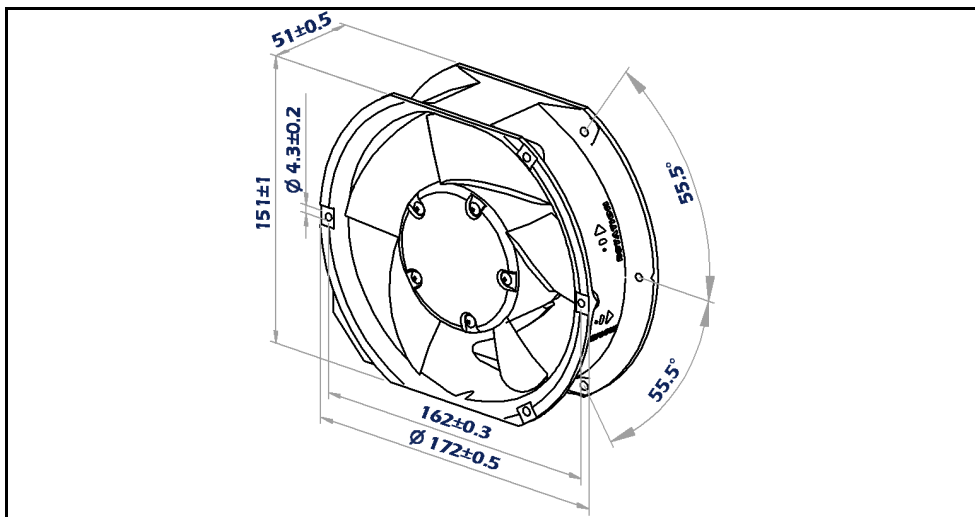
Approvals and Certificates

Approvals	CE	Y
	TUV	Y
	RoSH	Y
	UL	Y

Airflow Graph



Dimensional Drawing (mm)



Similar Products

Product	Size	Impeller Material	Speed	Noise	Weight
HIG-A172CP230S13I54T	172 x 151 x 51	Plastic Impeller	2800/3300	55/61	1050
HIG-A172CM230S13I54T	172 x 151 x 51	Steel (Metal) Impeller	2800/3300	55/61	1080
HIG-A172CP230U13I54L	172 x 151 x 51				
HIG-A172CP230U13I54T	172 x 151 x 51				
HIG-A172CMDUAS13I54L	172 x 151 x 51				

Finger Guard Accessory's

Product	Guard Type	Fan Size	Weight (g)
N/A			
N/A			
N/A			

Additional Information

Box Quantity:	12
Weight Per Box:	12.96 KG
Size Per Box:	41×39×21

Highland Axial AC Fan

Part Number: **HIG-A172CM230B13I54L**

Features:

Size (mm): 172 x 151 x 51

Maintenance-Free Ball Bearings

Aluminum Housing, Steel Impeller

Insulation Class B, IP54

Thermally Protected (Auto Restart)

230 VAC



Product Description

Highland 172mm x 151mm Side Cut 51mm Thick Axial Fan with Steel (Metal) Impeller, 230 VAC, Reversible Speed, AC Induction Capacitor Motor, IP54 Protection with Lead Wires

General Specification

Fan Type	Axial
Operating Voltage	230 VAC
Hz	50/60
Speed (RPM)	2700/3100(CW)2700/3200(CCW)
Airflow - CFM	200/230(CW)160/185(CCW)
Airflow - cubic m ³ /hr	339.802/390.772
Airflow - m ³ /s	0.094/0.109
Pressure - mmH ² O	13/14(CW)11/15(CCW)
Pressure - inchH ² O	0.512/0.551
Pressure - Pa	127.487/137.293
Noise dB	53/59
Operating Temperature	-20°C to +70°C
Expected Life (H)	70K @ 25 / 45K @ 40 Degrees Centigrade
Weight (g)	940
Tariff Code	8414.59.6590

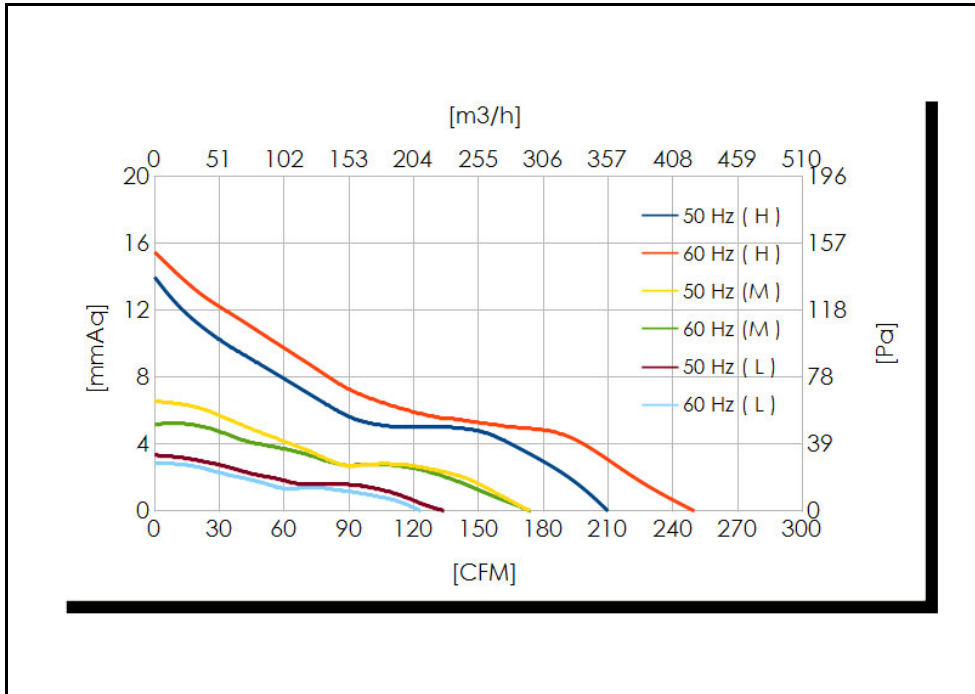
Mechanical Specifications

Fan Size	172 x 151 x 51
Frame Material	Aluminium
Impeller	Steel (Metal) Impeller

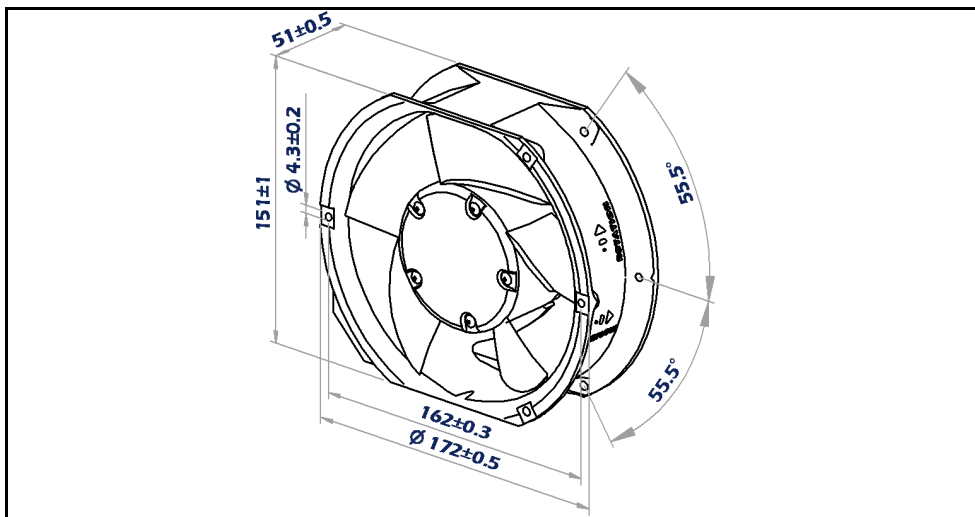
Approvals and Certificates

Approvals	CE	Y
	TUV	Y
	RoSH	Y
	UL	Y

Airflow Graph



Dimensional Drawing (mm)



Similar Products

Product	Size	Impeller Material	Speed	Noise	Weight
HIG-A172CP230S13I54T	172 x 151 x 51	Plastic Impeller	2800/3300	55/61	1050
HIG-A172CM230S13I54T	172 x 151 x 51	Steel (Metal) Impeller	2800/3300	55/61	1080
HIG-A172CP230U13I54L	172 x 151 x 51				
HIG-A172CP230U13I54T	172 x 151 x 51				
HIG-A172CMDUAS13I54L	172 x 151 x 51				

Finger Guard Accessory's

Product	Guard Type	Fan Size	Weight (g)
N/A			
N/A			
N/A			

Additional Information

Box Quantity:	12
Weight Per Box:	11.28 KG
Size Per Box:	41×39×21

Highland Axial AC Fan

Part Number: HIG-A172CM230H12I54L

Features:

Size (mm): 172 x 151 x 55

Maintenance-Free Ball Bearings

Aluminum Housing, Steel Impeller

Insulation Class B, IP54

Thermally Protected (Auto Restart)

230 VAC



Product Description

Highland 172mm x 151mm Side Cut 55mm Thick Axial Fan with Steel (Metal) Impeller, 230 VAC, High Speed, AC Induction Capacitor Motor, IP54 Protection with Lead Wires

General Specification

Fan Type	Axial
Operating Voltage	230 VAC
Hz	50/60
Speed (RPM)	2700/3100
Airflow - CFM	210/250
Airflow - cubic m ³ /hr	356.792/424.753
Airflow - m ³ /s	0.099/0.118
Pressure - mmH ² O	14/15.5
Pressure - inchH ² O	0.551/0.61
Pressure - Pa	137.293/152.003
Noise dB	53/59
Operating Temperature	-20°C to +70°C
Expected Life (H)	70K @ 25 / 45K @ 40 Degrees Centigrade
Weight (g)	840
Tariff Code	8414.59.6590

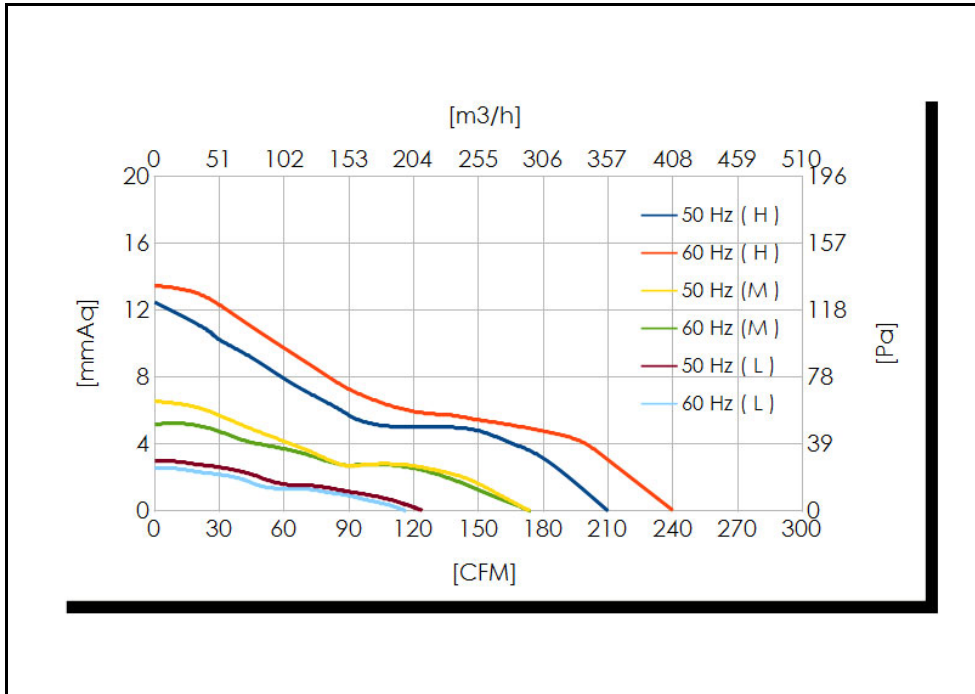
Mechanical Specifications

Fan Size	172 x 151 x 55
Frame Material	Aluminium
Impeller	Steel (Metal) Impeller

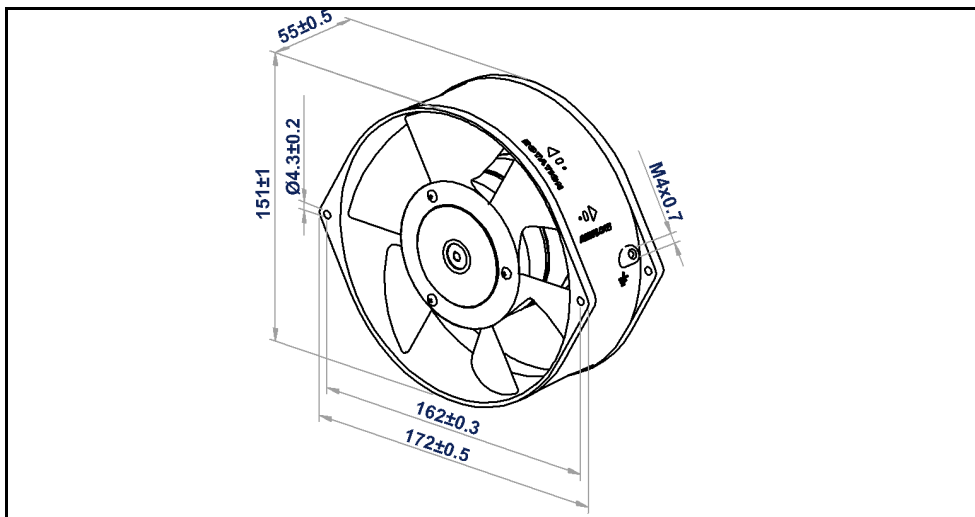
Approvals and Certificates

Approvals	CE	Y
	TUV	Y
	RoSH	Y
	UL	Y

Airflow Graph



Dimensional Drawing (mm)



Similar Products

Product	Size	Impeller Material	Speed	Noise	Weight
HIG-A172CM115H12I54L	172 x 151 x 55	Steel (Metal) Impeller	2700/3100	53/59	840
HIG-A172CP115H12I54T	172 x 151 x 55	Plastic Impeller	2650/3050	53/59	820
HIG-A172CM115H12I54T	172 x 151 x 55				
HIG-A172CP115M12I54L	172 x 151 x 55				
HIG-A172CM115M12I54L	172 x 151 x 55				

Finger Guard Accessory's

Product	Guard Type	Fan Size	Weight (g)
N/A			
N/A			
N/A			

Additional Information

Box Quantity:	12
Weight Per Box:	10.08 KG
Size Per Box:	41×39×21

Highland Axial AC Fan

Part Number: HIG-A172CM230H12I54T

Features:

Size (mm): 172 x 151 x 55

Maintenance-Free Ball Bearings

Aluminum Housing, Steel Impeller

Insulation Class B, IP54

Thermally Protected (Auto Restart)

230 VAC



Product Description

Highland 172mm x 151mm Side Cut 55mm Thick Axial Fan with Steel (Metal) Impeller, 230 VAC, High Speed, AC Induction Capacitor Motor, IP54 Protection with Terminals

General Specification

Fan Type	Axial
Operating Voltage	230 VAC
Hz	50/60
Speed (RPM)	2700/3100
Airflow - CFM	210/250
Airflow - cubic m ³ /hr	356.792/424.753
Airflow - m ³ /s	0.099/0.118
Pressure - mmH ² O	14/15.5
Pressure - inchH ² O	0.551/0.61
Pressure - Pa	137.293/152.003
Noise dB	53/59
Operating Temperature	-20°C to +70°C
Expected Life (H)	70K @ 25 / 45K @ 40 Degrees Centigrade
Weight (g)	840
Tariff Code	8414.59.6590

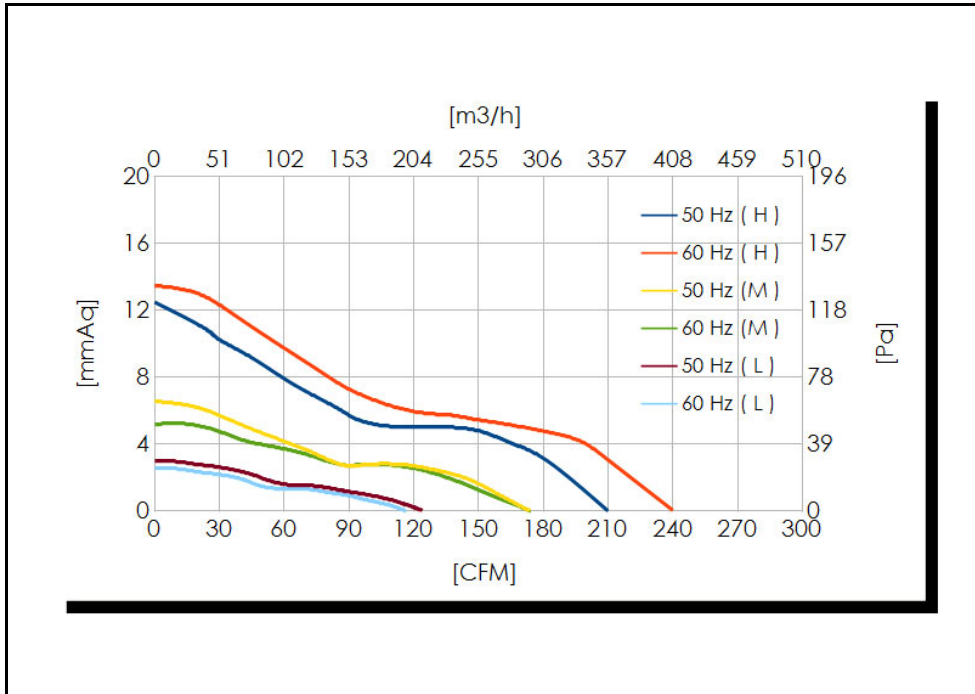
Mechanical Specifications

Fan Size	172 x 151 x 55
Frame Material	Aluminium
Impeller	Steel (Metal) Impeller

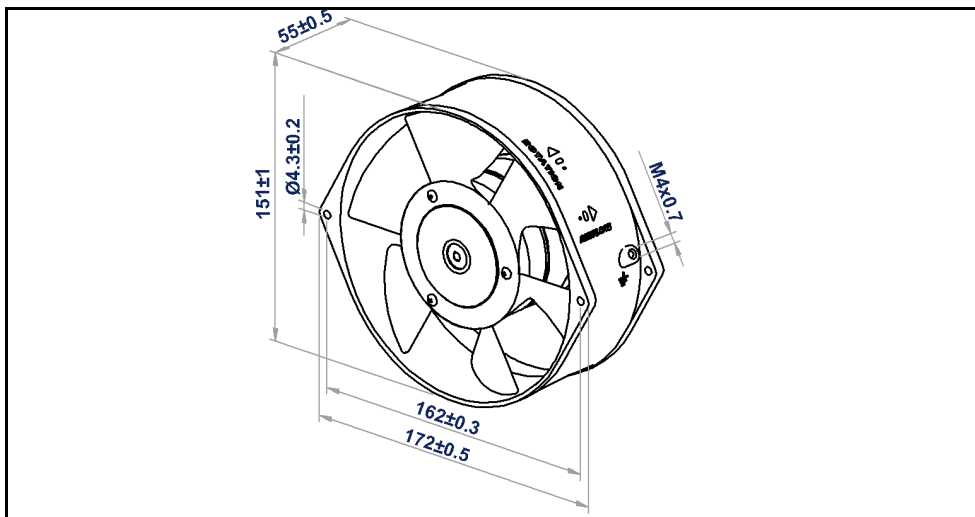
Approvals and Certificates

Approvals	CE	Y
	TUV	Y
	RoSH	Y
	UL	Y

Airflow Graph



Dimensional Drawing (mm)



Similar Products

Product	Size	Impeller Material	Speed	Noise	Weight
HIG-A172CM115H12I54L	172 x 151 x 55	Steel (Metal) Impeller	2700/3100	53/59	840
HIG-A172CP115H12I54T	172 x 151 x 55	Plastic Impeller	2650/3050	53/59	820
HIG-A172CM115H12I54T	172 x 151 x 55				
HIG-A172CP115M12I54L	172 x 151 x 55				
HIG-A172CM115M12I54L	172 x 151 x 55				

Finger Guard Accessory's

Product	Guard Type	Fan Size	Weight (g)
N/A			
N/A			
N/A			

Additional Information

Box Quantity:	12
Weight Per Box:	10.08 KG
Size Per Box:	41×39×21

Highland Axial AC Fan

Part Number: **HIG-A172CM230H13I54L**

Features:

Size (mm): 172 x 151 x 51

Maintenance-Free Ball Bearings

Aluminum Housing, Steel Impeller

Insulation Class B, IP54

Thermally Protected (Auto Restart)

230 VAC



Product Description

Highland 172mm x 151mm Side Cut 51mm Thick Axial Fan with Steel (Metal) Impeller, 230 VAC, High Speed, AC Induction Capacitor Motor, IP54 Protection with Lead Wires

General Specification

Fan Type	Axial
Operating Voltage	230 VAC
Hz	50/60
Speed (RPM)	2700/3100
Airflow - CFM	210/250
Airflow - cubic m ³ /hr	356.792/424.753
Airflow - m ³ /s	0.099/0.118
Pressure - mmH ² O	14/15.5
Pressure - inchH ² O	0.551/0.61
Pressure - Pa	137.293/152.003
Noise dB	53/59
Operating Temperature	-20°C to +70°C
Expected Life (H)	70K @ 25 / 45K @ 40 Degrees Centigrade
Weight (g)	940
Tariff Code	8414.59.6590

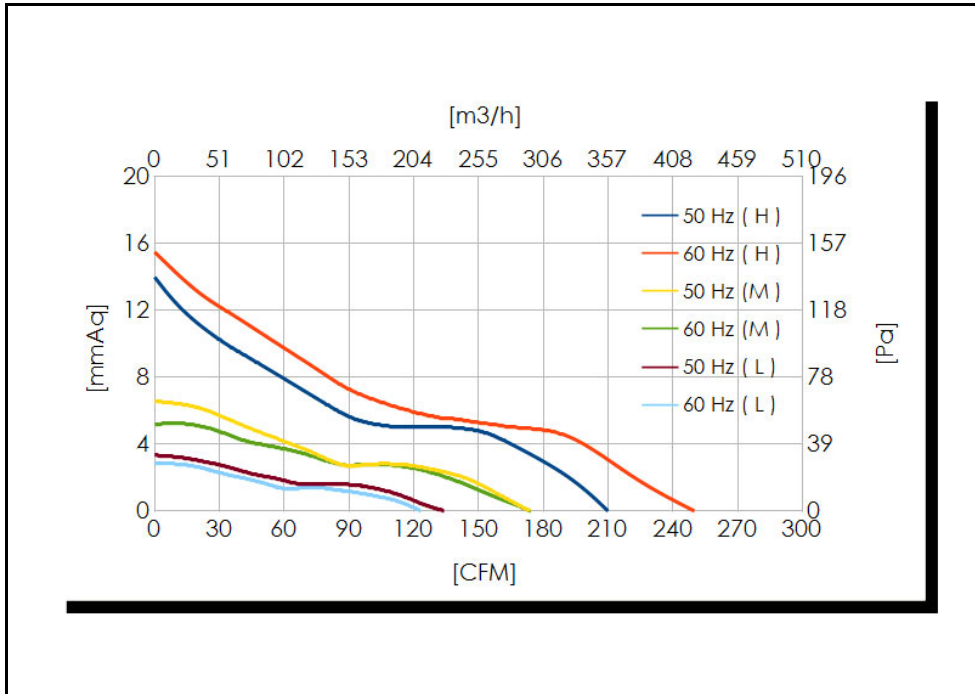
Mechanical Specifications

Fan Size	172 x 151 x 51
Frame Material	Aluminium
Impeller	Steel (Metal) Impeller

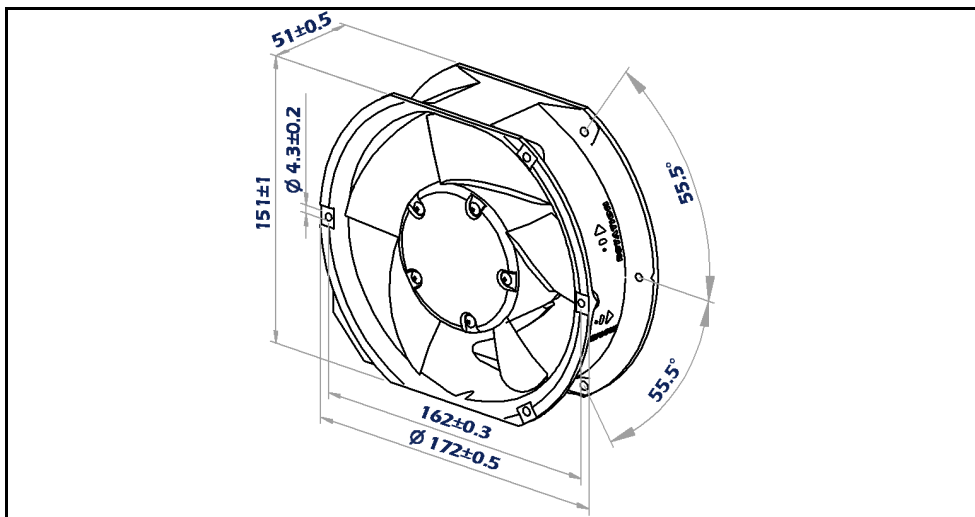
Approvals and Certificates

Approvals	CE	Y
	TUV	Y
	RoSH	Y
	UL	Y

Airflow Graph



Dimensional Drawing (mm)



Similar Products

Product	Size	Impeller Material	Speed	Noise	Weight
HIG-A172CP230S13I54T	172 x 151 x 51	Plastic Impeller	2800/3300	55/61	1050
HIG-A172CM230S13I54T	172 x 151 x 51	Steel (Metal) Impeller	2800/3300	55/61	1080
HIG-A172CP230U13I54L	172 x 151 x 51				
HIG-A172CP230U13I54T	172 x 151 x 51				
HIG-A172CMDUAS13I54L	172 x 151 x 51				

Finger Guard Accessory's

Product	Guard Type	Fan Size	Weight (g)
N/A			
N/A			
N/A			

Additional Information

Box Quantity:	12
Weight Per Box:	11.28 KG
Size Per Box:	41×39×21

Highland Axial AC Fan

Part Number: **HIG-A172CM230H13I54T**

Features:

Size (mm): 172 x 151 x 51

Maintenance-Free Ball Bearings

Aluminum Housing, Steel Impeller

Insulation Class B, IP54

Thermally Protected (Auto Restart)

230 VAC



Product Description

Highland 172mm x 151mm Side Cut 51mm Thick Axial Fan with Steel (Metal) Impeller, 230 VAC, High Speed, AC Induction Capacitor Motor, IP54 Protection with Terminals

General Specification

Fan Type	Axial
Operating Voltage	230 VAC
Hz	50/60
Speed (RPM)	2700/3100
Airflow - CFM	210/250
Airflow - cubic m ³ /hr	356.792/424.753
Airflow - m ³ /s	0.099/0.118
Pressure - mmH ² O	14/15.5
Pressure - inchH ² O	0.551/0.61
Pressure - Pa	137.293/152.003
Noise dB	53/59
Operating Temperature	-20°C to +70°C
Expected Life (H)	70K @ 25 / 45K @ 40 Degrees Centigrade
Weight (g)	940
Tariff Code	8414.59.6590

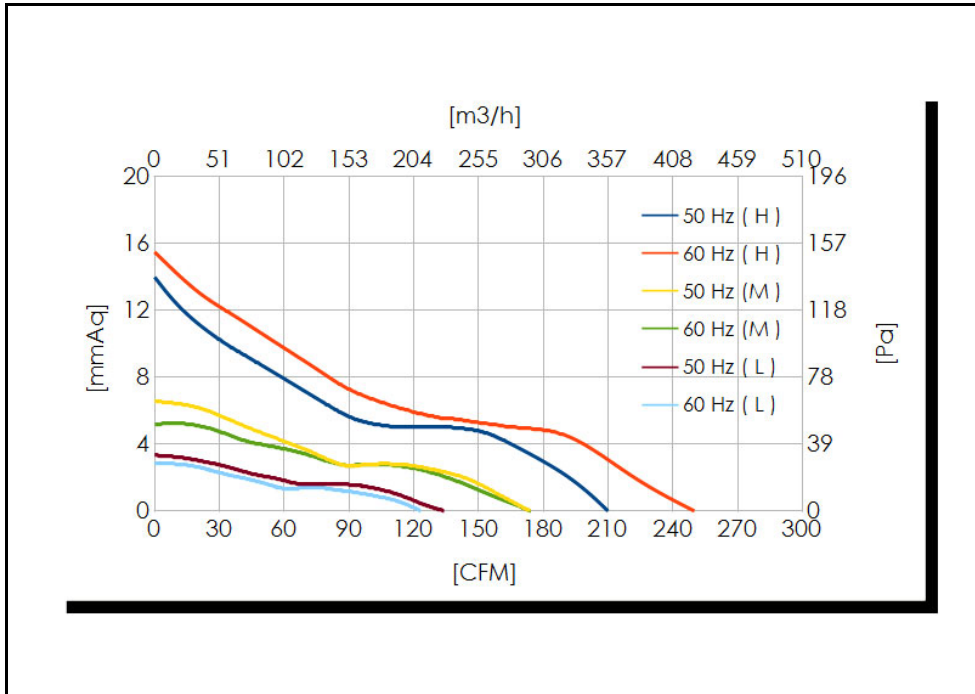
Mechanical Specifications

Fan Size	172 x 151 x 51
Frame Material	Aluminium
Impeller	Steel (Metal) Impeller

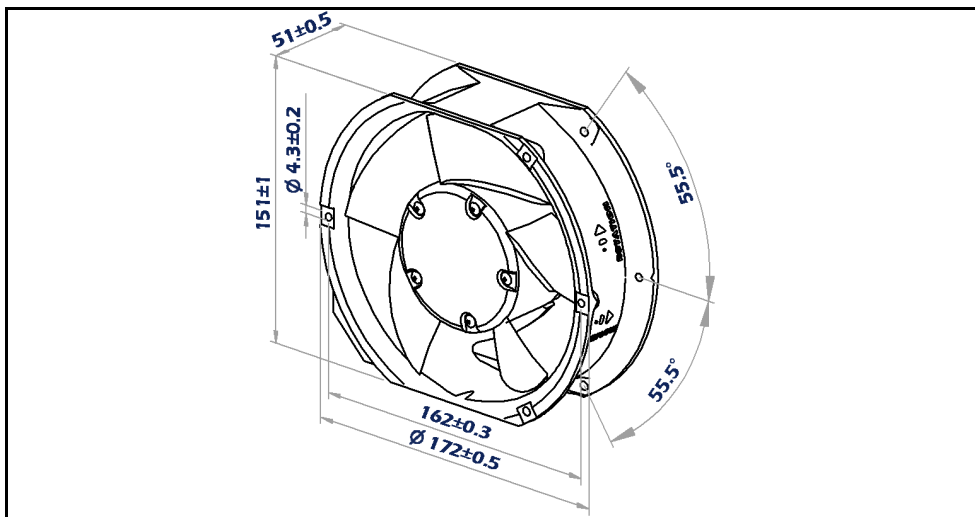
Approvals and Certificates

Approvals	CE	Y
	TUV	Y
	RoSH	Y
	UL	Y

Airflow Graph



Dimensional Drawing (mm)



Similar Products

Product	Size	Impeller Material	Speed	Noise	Weight
HIG-A172CP230S13I54T	172 x 151 x 51	Plastic Impeller	2800/3300	55/61	1050
HIG-A172CM230S13I54T	172 x 151 x 51	Steel (Metal) Impeller	2800/3300	55/61	1080
HIG-A172CP230U13I54L	172 x 151 x 51				
HIG-A172CP230U13I54T	172 x 151 x 51				
HIG-A172CMDUAS13I54L	172 x 151 x 51				

Finger Guard Accessory's

Product	Guard Type	Fan Size	Weight (g)
N/A			
N/A			
N/A			

Additional Information

Box Quantity:	12
Weight Per Box:	11.28 KG
Size Per Box:	41×39×21

Highland Axial AC Fan

Part Number: **HIG-A172CM230L13I54T**

Features:

Size (mm): 172 x 151 x 51

Maintenance-Free Ball Bearings

Aluminum Housing, Steel Impeller

Insulation Class B, IP54

Thermally Protected (Auto Restart)

230 VAC



Product Description

Highland 172mm x 151mm Side Cut 51mm Thick Axial Fan with Steel (Metal) Impeller, 230 VAC, Low Speed, AC Induction Capacitor Motor, IP54 Protection with Terminals

General Specification

Fan Type	Axial
Operating Voltage	230 VAC
Hz	50/60
Speed (RPM)	1850/1750
Airflow - CFM	135/123
Airflow - cubic m ³ /hr	229.366/208.978
Airflow - m ³ /s	0.064/0.058
Pressure - mmH ² O	3.4/2.9
Pressure - inchH ² O	0.134/0.114
Pressure - Pa	33.343/28.439
Noise dB	47/45
Operating Temperature	-20°C to +70°C
Expected Life (H)	70K @ 25 / 45K @ 40 Degrees Centigrade
Weight (g)	940
Tariff Code	8414.59.6590

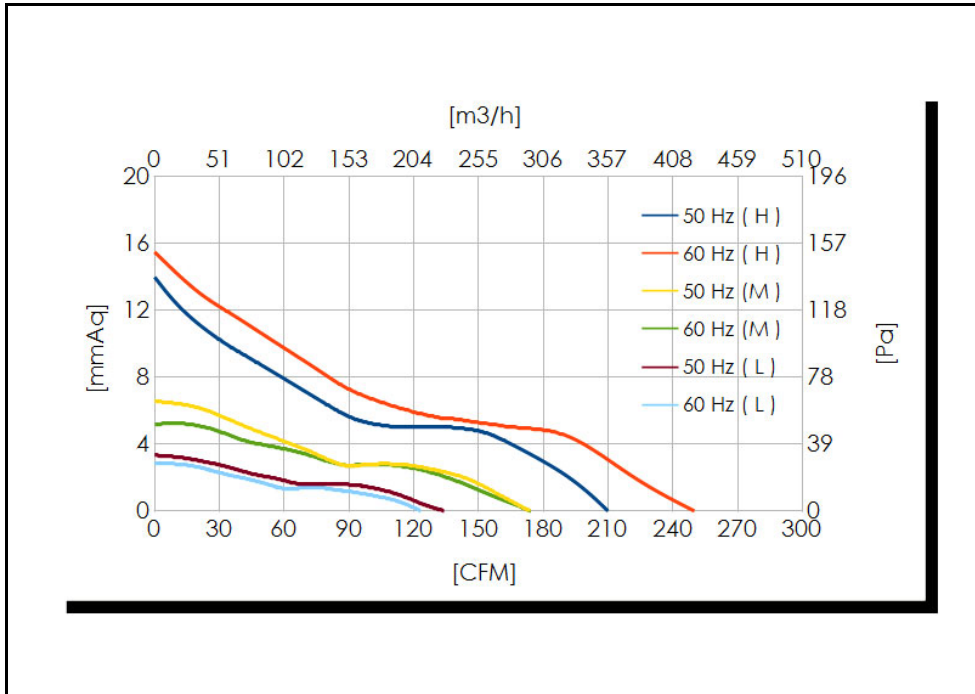
Mechanical Specifications

Fan Size	172 x 151 x 51
Frame Material	Aluminium
Impeller	Steel (Metal) Impeller

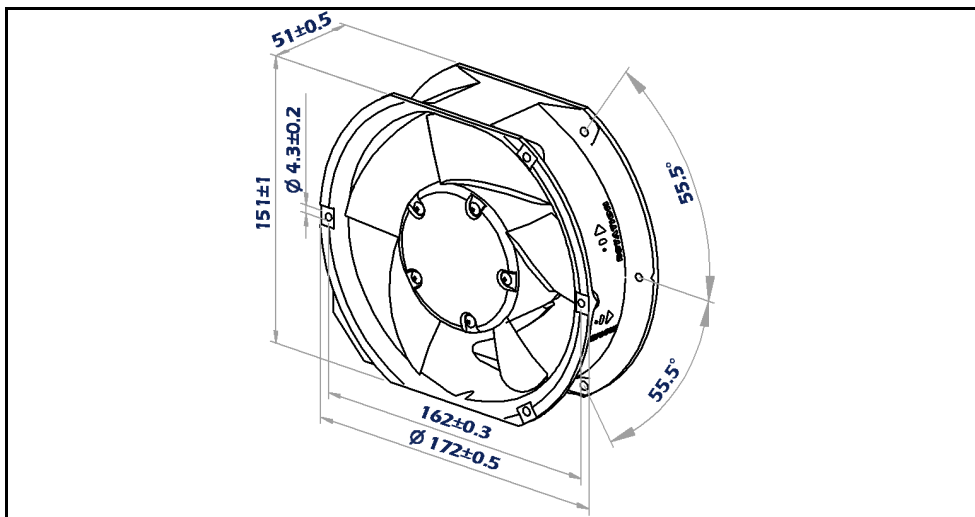
Approvals and Certificates

Approvals	CE	Y
	TUV	Y
	RoSH	Y
	UL	Y

Airflow Graph



Dimensional Drawing (mm)



Similar Products

Product	Size	Impeller Material	Speed	Noise	Weight
HIG-A172CP230S13I54T	172 x 151 x 51	Plastic Impeller	2800/3300	55/61	1050
HIG-A172CM230S13I54T	172 x 151 x 51	Steel (Metal) Impeller	2800/3300	55/61	1080
HIG-A172CP230U13I54L	172 x 151 x 51				
HIG-A172CP230U13I54T	172 x 151 x 51				
HIG-A172CMDUAS13I54L	172 x 151 x 51				

Finger Guard Accessory's

Product	Guard Type	Fan Size	Weight (g)
N/A			
N/A			
N/A			

Additional Information

Box Quantity:	12
Weight Per Box:	11.28 KG
Size Per Box:	41×39×21

Highland Axial AC Fan

Part Number: **HIG-A172CM230M13I54L**

Features:

Size (mm): 172 x 151 x 51

Maintenance-Free Ball Bearings

Aluminum Housing, Steel Impeller

Insulation Class B, IP54

Thermally Protected (Auto Restart)

230 VAC



Product Description

Highland 172mm x 151mm Side Cut 51mm Thick Axial Fan with Steel (Metal) Impeller, 230 VAC, Medium Speed, AC Induction Capacitor Motor, IP54 Protection with Lead Wires

General Specification

Fan Type	Axial
Operating Voltage	230 VAC
Hz	50/60
Speed (RPM)	2400/2350
Airflow - CFM	174/174
Airflow - cubic m ³ /hr	295.628/295.628
Airflow - m ³ /s	0.082/0.082
Pressure - mmH ² O	6.6/5.2
Pressure - inchH ² O	0.26/0.205
Pressure - Pa	64.724/50.995
Noise dB	51/51
Operating Temperature	-20°C to +70°C
Expected Life (H)	70K @ 25 / 45K @ 40 Degrees Centigrade
Weight (g)	940
Tariff Code	8414.59.6590

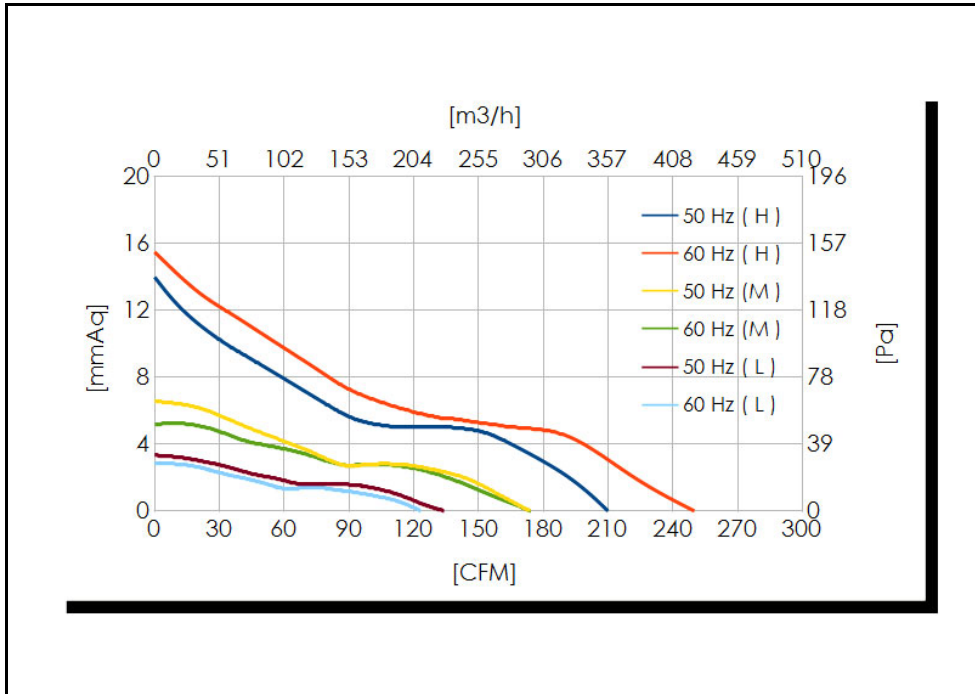
Mechanical Specifications

Fan Size	172 x 151 x 51
Frame Material	Aluminium
Impeller	Steel (Metal) Impeller

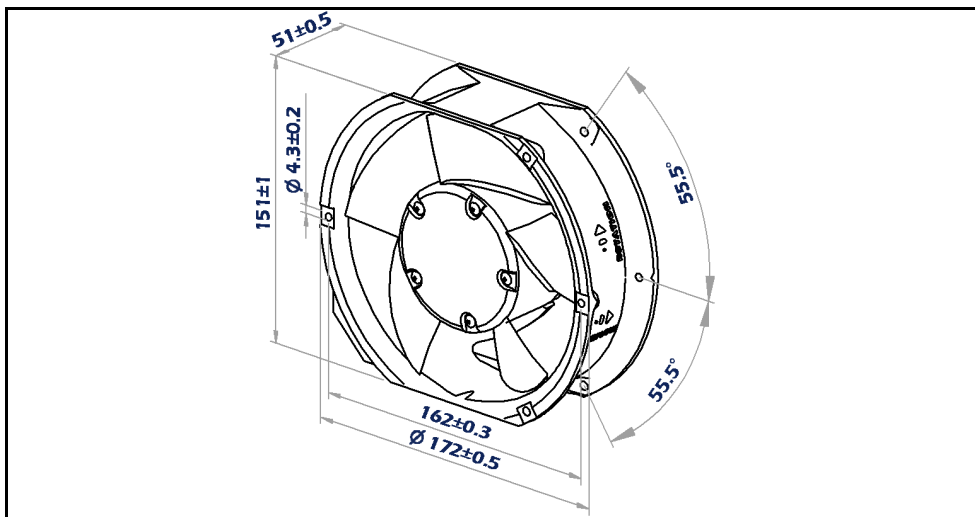
Approvals and Certificates

Approvals	CE	Y
	TUV	Y
	RoSH	Y
	UL	Y

Airflow Graph



Dimensional Drawing (mm)



Similar Products

Product	Size	Impeller Material	Speed	Noise	Weight
HIG-A172CP230S13I54T	172 x 151 x 51	Plastic Impeller	2800/3300	55/61	1050
HIG-A172CM230S13I54T	172 x 151 x 51	Steel (Metal) Impeller	2800/3300	55/61	1080
HIG-A172CP230U13I54L	172 x 151 x 51				
HIG-A172CP230U13I54T	172 x 151 x 51				
HIG-A172CMDUAS13I54L	172 x 151 x 51				

Finger Guard Accessory's

Product	Guard Type	Fan Size	Weight (g)
N/A			
N/A			
N/A			

Additional Information

Box Quantity:	12
Weight Per Box:	11.28 KG
Size Per Box:	41×39×21

Highland Axial AC Fan

Part Number: **HIG-A172CM230M13I54T**

Features:

Size (mm): 172 x 151 x 51

Maintenance-Free Ball Bearings

Aluminum Housing, Steel Impeller

Insulation Class B, IP54

Thermally Protected (Auto Restart)

230 VAC



Product Description

Highland 172mm x 151mm Side Cut 51mm Thick Axial Fan with Steel (Metal) Impeller, 230 VAC, Medium Speed, AC Induction Capacitor Motor, IP54 Protection with Terminals

General Specification

Fan Type	Axial
Operating Voltage	230 VAC
Hz	50/60
Speed (RPM)	2400/2350
Airflow - CFM	174/174
Airflow - cubic m ³ /hr	295.628/295.628
Airflow - m ³ /s	0.082/0.082
Pressure - mmH ² O	6.6/5.2
Pressure - inchH ² O	0.26/0.205
Pressure - Pa	64.724/50.995
Noise dB	51/51
Operating Temperature	-20°C to +70°C
Expected Life (H)	70K @ 25 / 45K @ 40 Degrees Centigrade
Weight (g)	940
Tariff Code	8414.59.6590

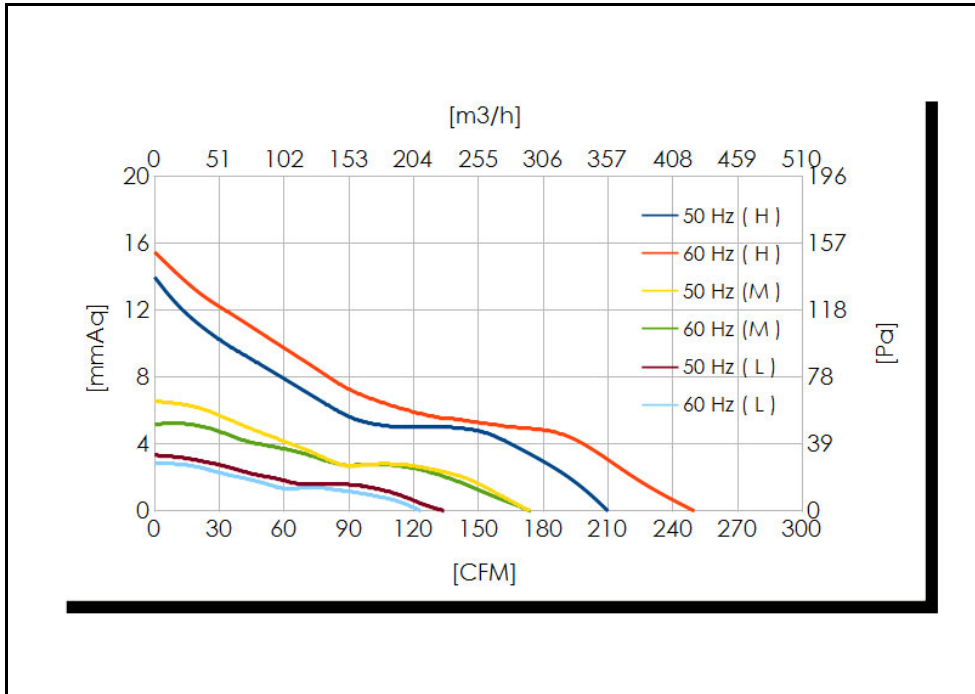
Mechanical Specifications

Fan Size	172 x 151 x 51
Frame Material	Aluminium
Impeller	Steel (Metal) Impeller

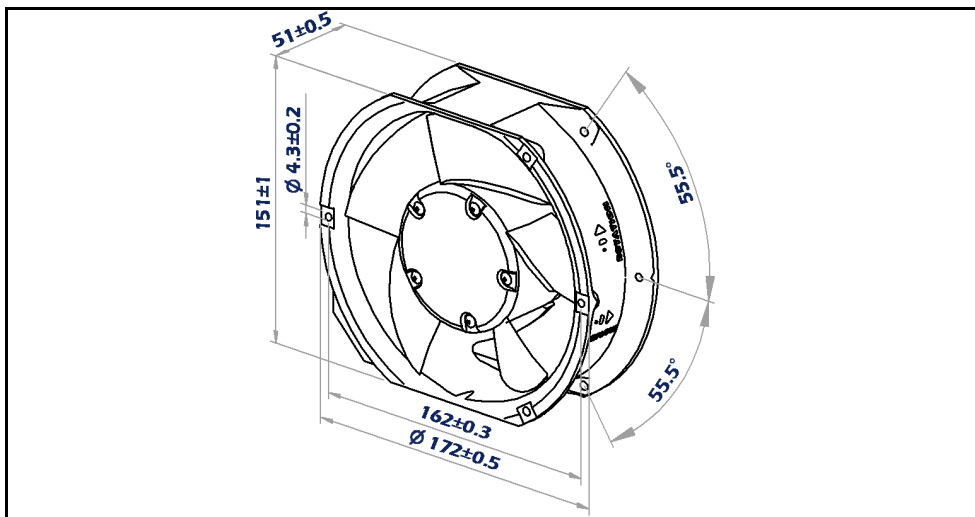
Approvals and Certificates

Approvals	CE	Y
	TUV	Y
	RoSH	Y
	UL	Y

Airflow Graph



Dimensional Drawing (mm)



Similar Products

Product	Size	Impeller Material	Speed	Noise	Weight
HIG-A172CP230S13I54T	172 x 151 x 51	Plastic Impeller	2800/3300	55/61	1050
HIG-A172CM230S13I54T	172 x 151 x 51	Steel (Metal) Impeller	2800/3300	55/61	1080
HIG-A172CP230U13I54L	172 x 151 x 51				
HIG-A172CP230U13I54T	172 x 151 x 51				
HIG-A172CMDUAS13I54L	172 x 151 x 51				

Finger Guard Accessory's

Product	Guard Type	Fan Size	Weight (g)
N/A			
N/A			
N/A			

Additional Information

Box Quantity:	12
Weight Per Box:	11.28 KG
Size Per Box:	41×39×21

Highland Axial AC Fan

Part Number: **HIG-A172CM230S12I54L**

Features:

Size (mm): 172 x 151 x 55

Maintenance-Free Ball Bearings

Aluminum Housing, Steel Impeller

Insulation Class B, IP54

Thermally Protected (Auto Restart)

230 VAC



Product Description

Highland 172mm x 151mm Side Cut 55mm Thick Axial Fan with Steel (Metal) Impeller, 230 VAC, Super Speed, AC Induction Capacitor Motor, IP54 Protection with Lead Wires

General Specification

Fan Type	Axial
Operating Voltage	230 VAC
Hz	50/60
Speed (RPM)	2800/3300
Airflow - CFM	220/260
Airflow - cubic m ³ /hr	373.782/441.743
Airflow - m ³ /s	0.104/0.123
Pressure - mmH ² O	16.5/20.0
Pressure - inchH ² O	0.65/0.787
Pressure - Pa	161.81/196.133
Noise dB	55/61
Operating Temperature	-20°C to +70°C
Expected Life (H)	70K @ 25 / 45K @ 40 Degrees Centigrade
Weight (g)	980
Tariff Code	8414.59.6590

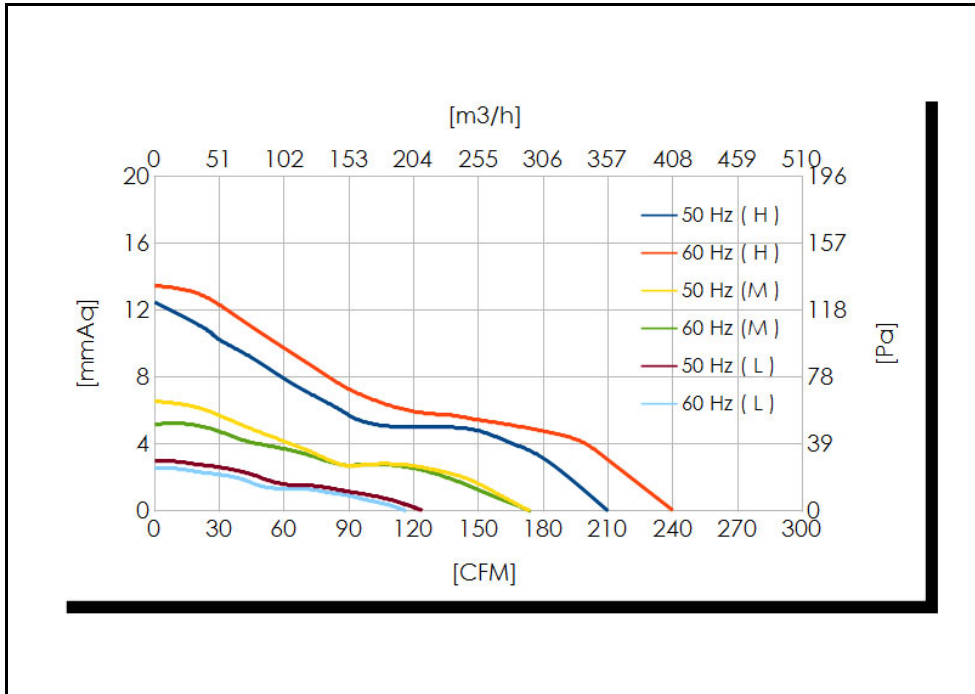
Mechanical Specifications

Fan Size	172 x 151 x 55
Frame Material	Aluminium
Impeller	Steel (Metal) Impeller

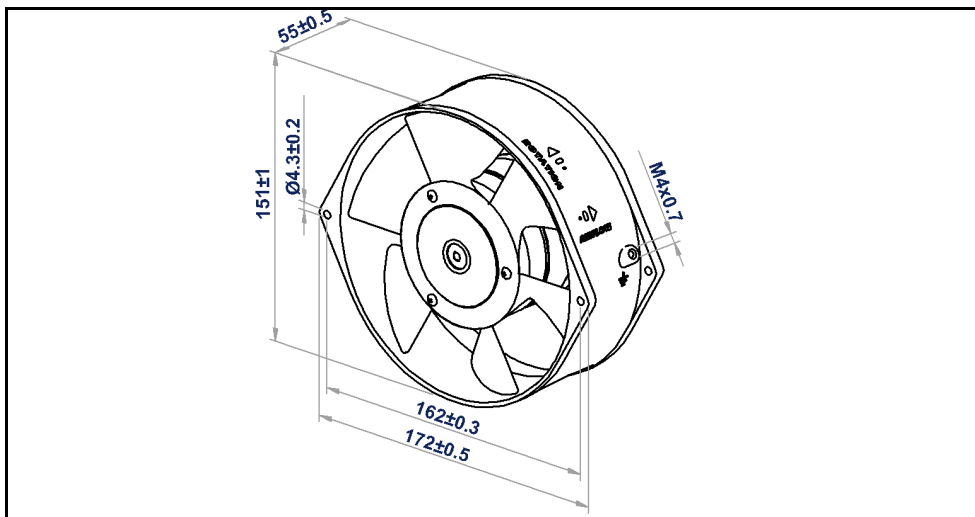
Approvals and Certificates

Approvals	CE	Y
	TUV	Y
	RoSH	Y
	UL	Y

Airflow Graph



Dimensional Drawing (mm)



Similar Products

Product	Size	Impeller Material	Speed	Noise	Weight
HIG-A172CM115H12I54L	172 x 151 x 55	Steel (Metal) Impeller	2700/3100	53/59	840
HIG-A172CP115H12I54T	172 x 151 x 55	Plastic Impeller	2650/3050	53/59	820
HIG-A172CM115H12I54T	172 x 151 x 55				
HIG-A172CP115M12I54L	172 x 151 x 55				
HIG-A172CM115M12I54L	172 x 151 x 55				

Finger Guard Accessory's

Product	Guard Type	Fan Size	Weight (g)
N/A			
N/A			
N/A			

Additional Information

Box Quantity:	12
Weight Per Box:	11.76 KG
Size Per Box:	41×39×21

Highland Axial AC Fan

Part Number: HIG-A172CM230S12I54T

Features:

Size (mm): 172 x 151 x 55

Maintenance-Free Ball Bearings

Aluminum Housing, Steel Impeller

Insulation Class B, IP54

Thermally Protected (Auto Restart)

230 VAC



Product Description

Highland 172mm x 151mm Side Cut 55mm Thick Axial Fan with Steel (Metal) Impeller, 230 VAC, Super Speed, AC Induction Capacitor Motor, IP54 Protection with Terminals

General Specification

Fan Type	Axial
Operating Voltage	230 VAC
Hz	50/60
Speed (RPM)	2800/3300
Airflow - CFM	220/260
Airflow - cubic m ³ /hr	373.782/441.743
Airflow - m ³ /s	0.104/0.123
Pressure - mmH ² O	16.5/20.0
Pressure - inchH ² O	0.65/0.787
Pressure - Pa	161.81/196.133
Noise dB	55/61
Operating Temperature	-20°C to +70°C
Expected Life (H)	70K @ 25 / 45K @ 40 Degrees Centigrade
Weight (g)	980
Tariff Code	8414.59.6590

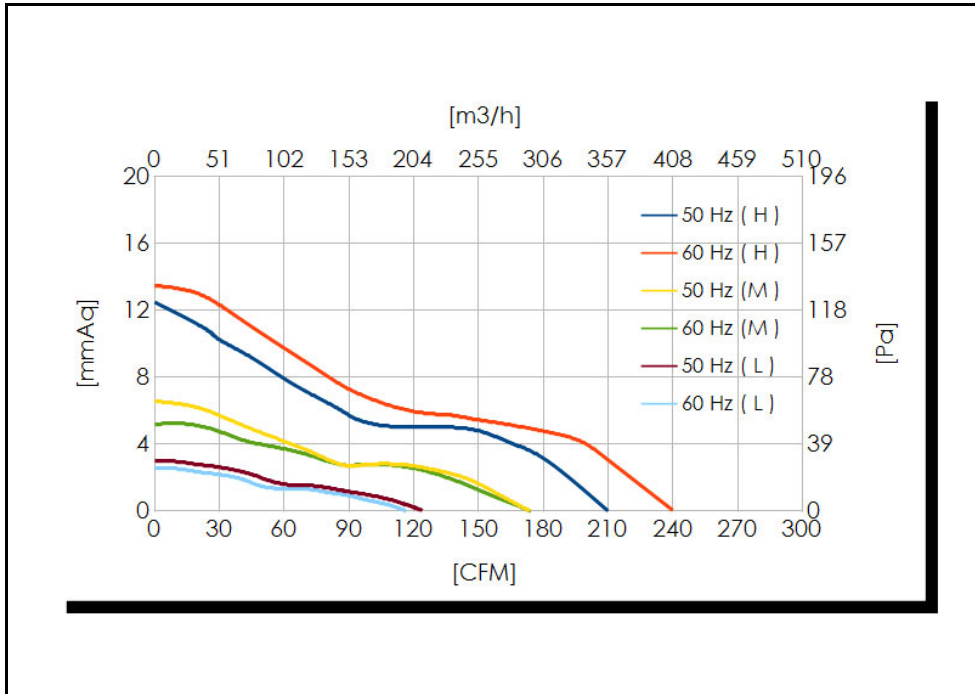
Mechanical Specifications

Fan Size	172 x 151 x 55
Frame Material	Aluminium
Impeller	Steel (Metal) Impeller

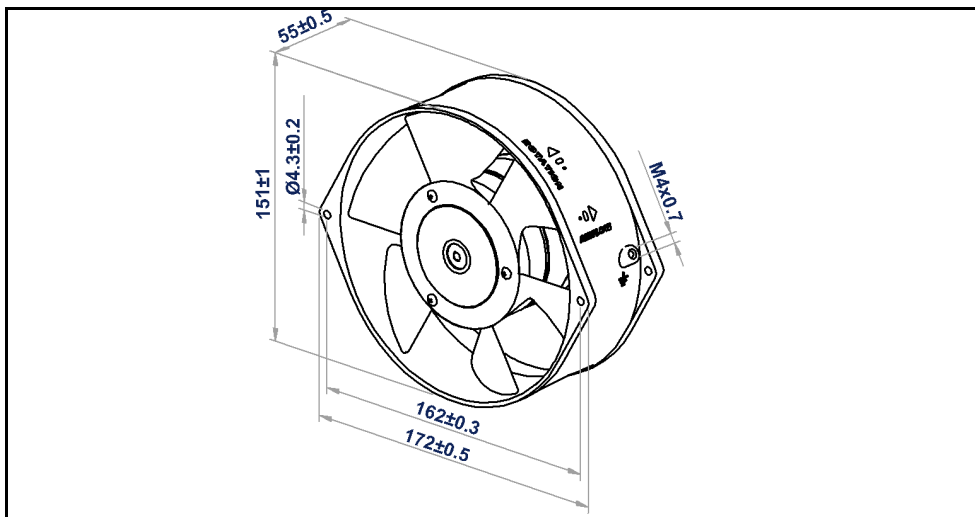
Approvals and Certificates

Approvals	CE	Y
	TUV	Y
	RoSH	Y
	UL	Y

Airflow Graph



Dimensional Drawing (mm)



Similar Products

Product	Size	Impeller Material	Speed	Noise	Weight
HIG-A172CM115H12I54L	172 x 151 x 55	Steel (Metal) Impeller	2700/3100	53/59	840
HIG-A172CP115H12I54T	172 x 151 x 55	Plastic Impeller	2650/3050	53/59	820
HIG-A172CM115H12I54T	172 x 151 x 55				
HIG-A172CP115M12I54L	172 x 151 x 55				
HIG-A172CM115M12I54L	172 x 151 x 55				

Finger Guard Accessory's

Product	Guard Type	Fan Size	Weight (g)
N/A			
N/A			
N/A			

Additional Information

Box Quantity:	12
Weight Per Box:	11.76 KG
Size Per Box:	41×39×21

Highland Axial AC Fan

Part Number: **HIG-A172CM230S13I54L**

Features:

Size (mm): 172 x 151 x 51

Maintenance-Free Ball Bearings

Aluminum Housing, Steel Impeller

Insulation Class B, IP54

Thermally Protected (Auto Restart)

230 VAC



Product Description

Highland 172mm x 151mm Side Cut 51mm Thick Axial Fan with Steel (Metal) Impeller, 230 VAC, Super Speed, AC Induction Capacitor Motor, IP54 Protection with Lead Wires

General Specification

Fan Type	Axial
Operating Voltage	230 VAC
Hz	50/60
Speed (RPM)	2800/3300
Airflow - CFM	220/260
Airflow - cubic m ³ /hr	373.782/441.743
Airflow - m ³ /s	0.104/0.123
Pressure - mmH ² O	16.5/20.0
Pressure - inchH ² O	0.65/0.787
Pressure - Pa	161.81/196.133
Noise dB	55/61
Operating Temperature	-20°C to +70°C
Expected Life (H)	70K @ 25 / 45K @ 40 Degrees Centigrade
Weight (g)	1080
Tariff Code	8414.59.6590

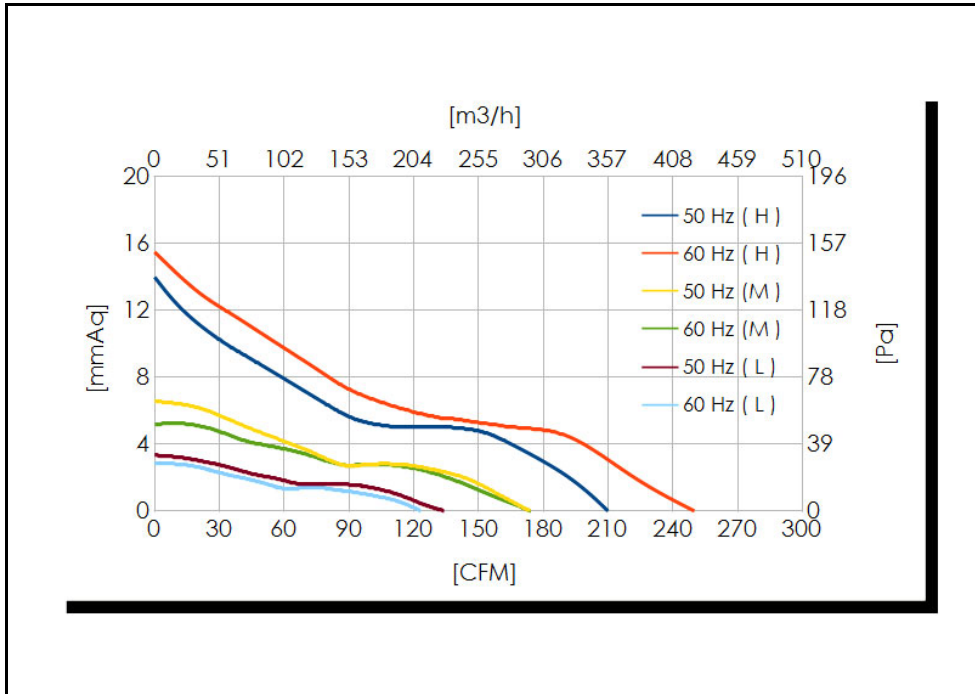
Mechanical Specifications

Fan Size	172 x 151 x 51
Frame Material	Aluminium
Impeller	Steel (Metal) Impeller

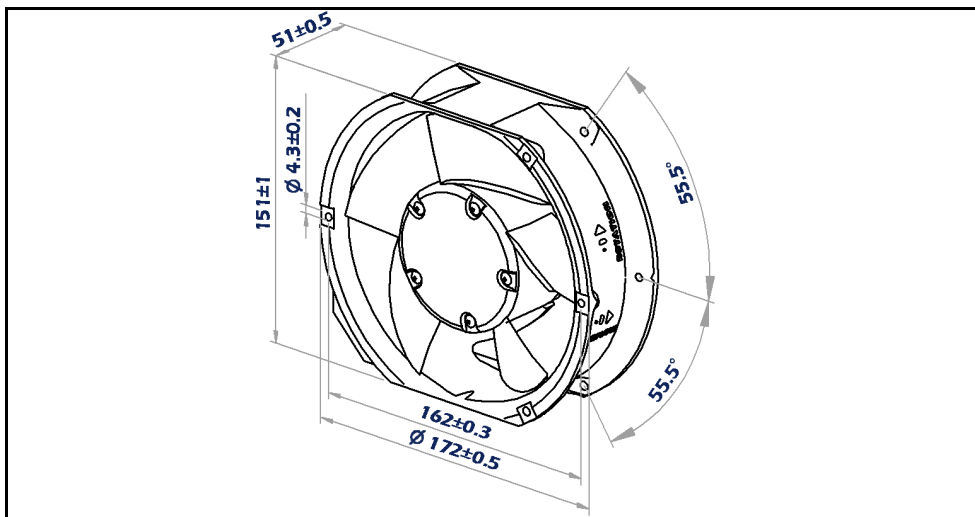
Approvals and Certificates

Approvals	CE	Y
	TUV	Y
	RoSH	Y
	UL	Y

Airflow Graph



Dimensional Drawing (mm)



Similar Products

Product	Size	Impeller Material	Speed	Noise	Weight
HIG-A172CP230S13I54T	172 x 151 x 51	Plastic Impeller	2800/3300	55/61	1050
HIG-A172CM230S13I54T	172 x 151 x 51	Steel (Metal) Impeller	2800/3300	55/61	1080
HIG-A172CP230U13I54L	172 x 151 x 51				
HIG-A172CP230U13I54T	172 x 151 x 51				
HIG-A172CMDUAS13I54L	172 x 151 x 51				

Finger Guard Accessory's

Product	Guard Type	Fan Size	Weight (g)
N/A			
N/A			
N/A			

Additional Information

Box Quantity:	12
Weight Per Box:	12.96 KG
Size Per Box:	41×39×21

Highland Axial AC Fan

Part Number: HIG-A172CM230S13I54T

Features:

Size (mm): 172 x 151 x 51

Maintenance-Free Ball Bearings

Aluminum Housing, Steel Impeller

Insulation Class B, IP54

Thermally Protected (Auto Restart)

230 VAC



Product Description

Highland 172mm x 151mm Side Cut 51mm Thick Axial Fan with Steel (Metal) Impeller, 230 VAC, Super Speed, AC Induction Capacitor Motor, IP54 Protection with Terminals

General Specification

Fan Type	Axial
Operating Voltage	230 VAC
Hz	50/60
Speed (RPM)	2800/3300
Airflow - CFM	220/260
Airflow - cubic m ³ /hr	373.782/441.743
Airflow - m ³ /s	0.104/0.123
Pressure - mmH ² O	16.5/20.0
Pressure - inchH ² O	0.65/0.787
Pressure - Pa	161.81/196.133
Noise dB	55/61
Operating Temperature	-20°C to +70°C
Expected Life (H)	70K @ 25 / 45K @ 40 Degrees Centigrade
Weight (g)	1080
Tariff Code	8414.59.6590

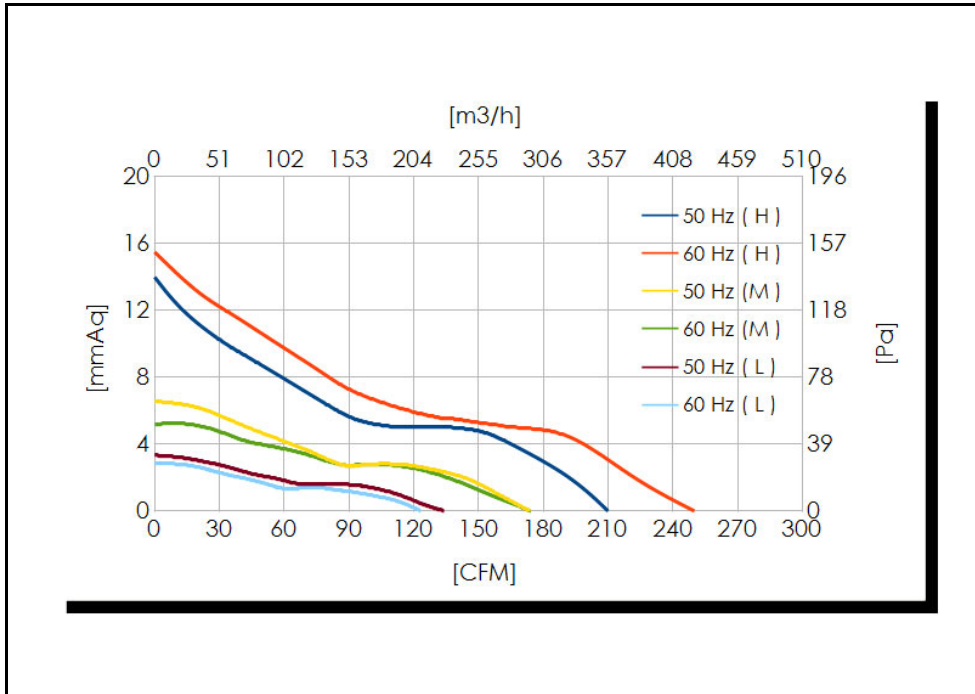
Mechanical Specifications

Fan Size	172 x 151 x 51
Frame Material	Aluminium
Impeller	Steel (Metal) Impeller

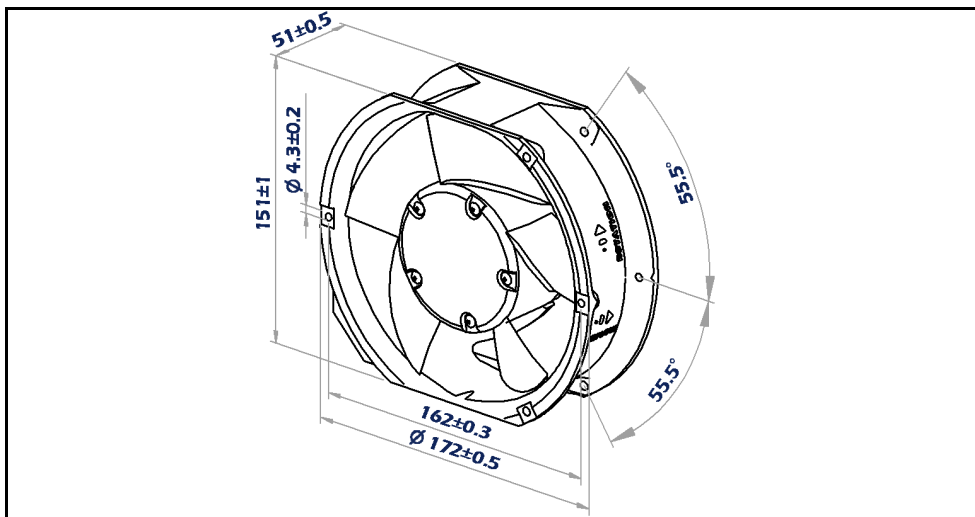
Approvals and Certificates

Approvals	CE	Y
	TUV	Y
	RoSH	Y
	UL	Y

Airflow Graph



Dimensional Drawing (mm)



Similar Products

Product	Size	Impeller Material	Speed	Noise	Weight
HIG-A172CM230L13I54T	172 x 151 x 51	Steel (Metal) Impeller	1850/1750	47/45	940
HIG-A172CM230M13I54L	172 x 151 x 51	Steel (Metal) Impeller	2400/2350	51/51	940
HIG-A172CM230M13I54T	172 x 151 x 51				
HIG-A172CP230S13I54L	172 x 151 x 51				
HIG-A172CM230S13I54L	172 x 151 x 51				

Finger Guard Accessory's

Product	Guard Type	Fan Size	Weight (g)
N/A			
N/A			
N/A			

Additional Information

Box Quantity:	12
Weight Per Box:	12.96 KG
Size Per Box:	41×39×21

Highland Axial AC Fan

Part Number: **HIG-A172CMDUAS13154L**

Features:

Size (mm): 172 x 151 x 51

Maintenance-Free Ball Bearings

Aluminum Housing, Steel Impeller

Insulation Class B, IP54

Thermally Protected (Auto Restart)

DUA VAC



Product Description

Highland 172mm x 151mm Side Cut 51mm Thick Axial Fan with Steel (Metal) Impeller, 115/230 VAC, Super Speed, AC Induction Capacitor Motor, IP54 Protection with Lead Wires

General Specification

Fan Type	Axial
Operating Voltage	115/230 VAC
Hz	50/60
Speed (RPM)	2650/3050
Airflow - CFM	200/230
Airflow - cubic m ³ /hr	339.802/390.772
Airflow - m ³ /s	0.094/0.109
Pressure - mmH ² O	12.5/14
Pressure - inchH ² O	0.492/0.551
Pressure - Pa	122.583/137.293
Noise dB	53/59
Operating Temperature	-20°C to +70°C
Expected Life (H)	70K @ 25 / 45K @ 40 Degrees Centigrade
Weight (g)	940
Tariff Code	8414.59.6590

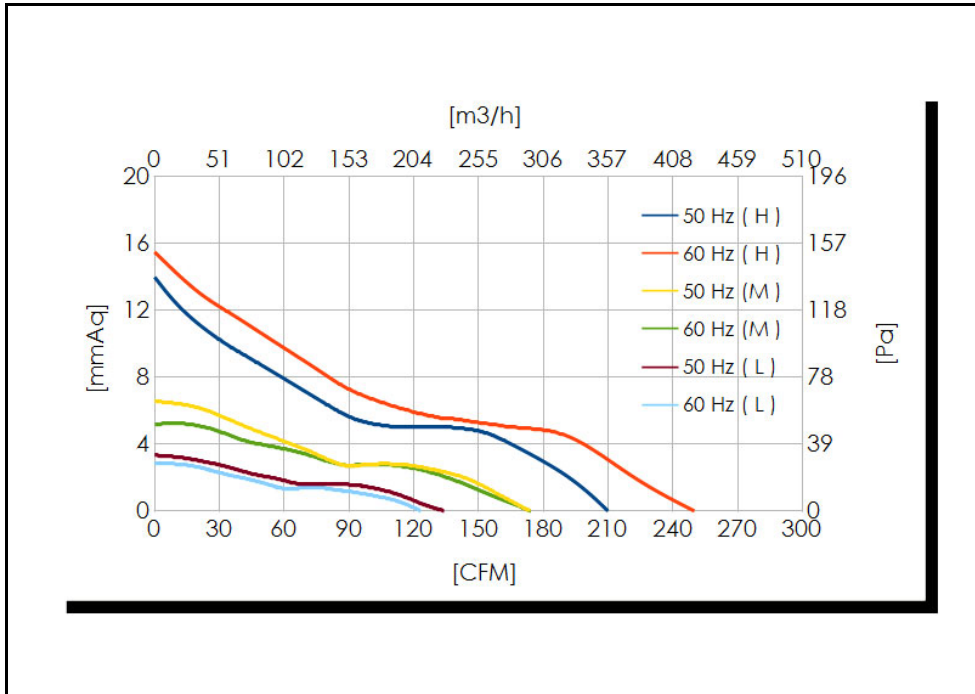
Mechanical Specifications

Fan Size	172 x 151 x 51
Frame Material	Aluminium
Impeller	Steel (Metal) Impeller

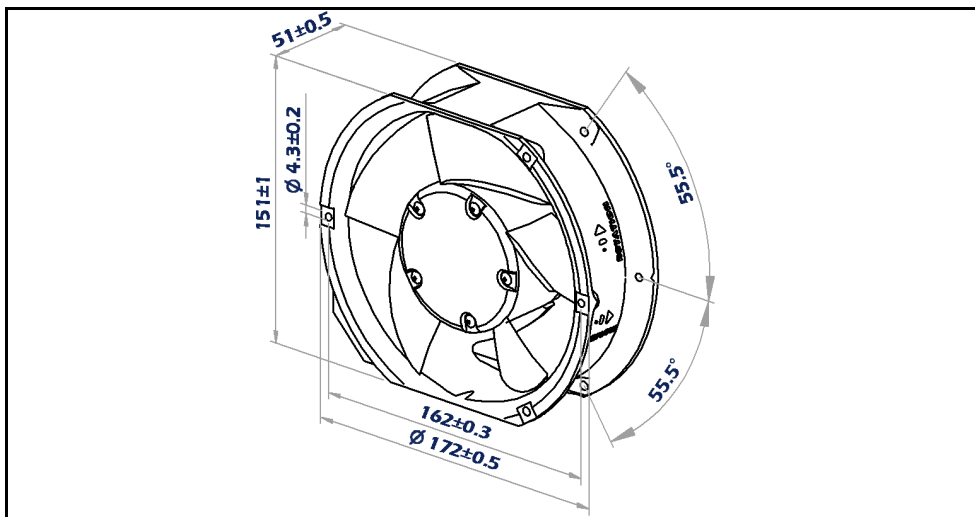
Approvals and Certificates

Approvals	CE	Y
	TUV	Y
	RoSH	Y
	UL	Y

Airflow Graph



Dimensional Drawing (mm)



Similar Products

Product	Size	Impeller Material	Speed	Noise	Weight
HIG-A172CM230L13I54T	172 x 151 x 51	Steel (Metal) Impeller	1850/1750	47/45	940
HIG-A172CM230M13I54L	172 x 151 x 51	Steel (Metal) Impeller	2400/2350	51/51	940
HIG-A172CM230M13I54T	172 x 151 x 51				
HIG-A172CP230S13I54L	172 x 151 x 51				
HIG-A172CM230S13I54L	172 x 151 x 51				

Finger Guard Accessory's

Product	Guard Type	Fan Size	Weight (g)
N/A			
N/A			
N/A			

Additional Information

Box Quantity:	12
Weight Per Box:	11.28 KG
Size Per Box:	41×39×21

Highland Axial AC Fan

Part Number: **HIG-A172CP115H12I54L**

Features:

Size (mm): 172 x 151 x 55

Maintenance-Free Ball Bearings

Aluminum Housing, Plastic Impeller

Insulation Class B, IP54

Thermally Protected (Auto Restart)

115 VAC



Product Description

Highland 172mm x 151mm Side Cut 55mm Thick Axial Fan with Plastic Impeller, 115 VAC, High Speed, AC Induction Capacitor Motor, IP54 Protection with Lead Wires

General Specification

Fan Type	Axial
Operating Voltage	115 VAC
Hz	50/60
Speed (RPM)	2650/3050
Airflow - CFM	210/250
Airflow - cubic m ³ /hr	356.792/424.753
Airflow - m ³ /s	0.099/0.118
Pressure - mmH ² O	14/15.5
Pressure - inchH ² O	0.551/0.61
Pressure - Pa	137.293/152.003
Noise dB	53/59
Operating Temperature	-20°C to +70°C
Expected Life (H)	70K @ 25 / 45K @ 40 Degrees Centigrade
Weight (g)	820
Tariff Code	8414.59.6590

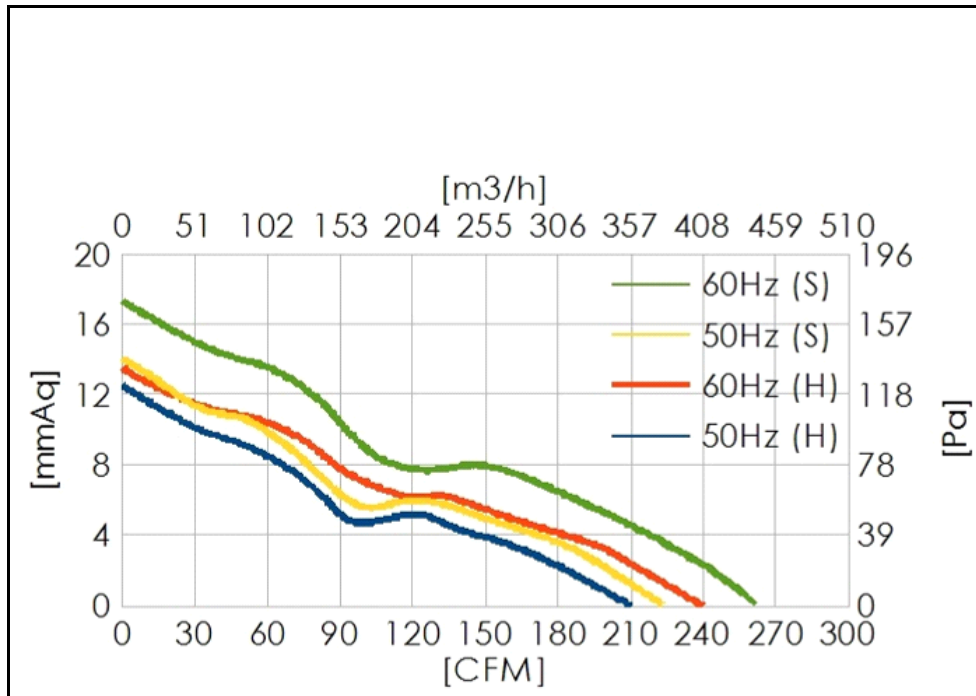
Mechanical Specifications

Fan Size	172 x 151 x 55
Frame Material	Aluminium
Impeller	Plastic Impeller

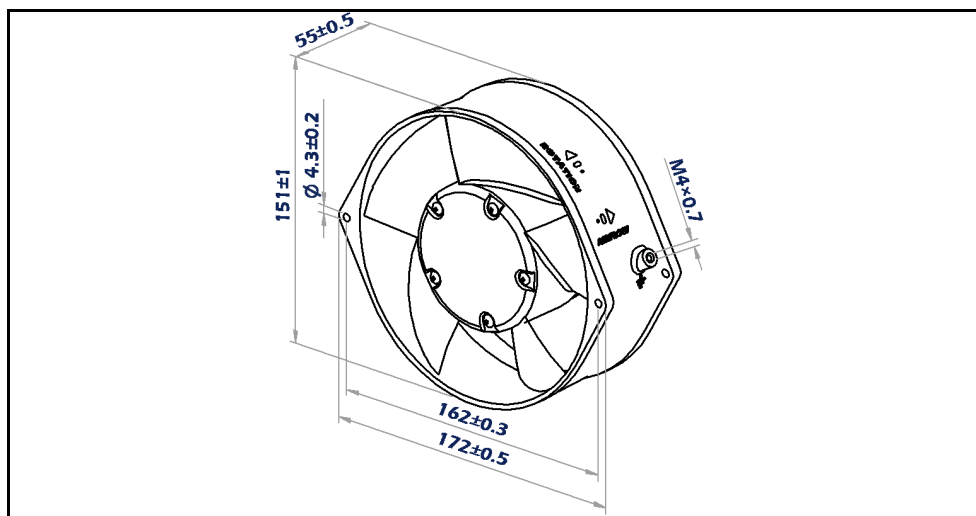
Approvals and Certificates

Approvals	CE	Y
	TUV	Y
	RoSH	Y
	UL	Y

Airflow Graph



Dimensional Drawing (mm)



Similar Products

Product	Size	Impeller Material	Speed	Noise	Weight
HIG-A172CM115H12I54L	172 x 151 x 55	Steel (Metal) Impeller	2700/3100	53/59	840
HIG-A172CP115H12I54T	172 x 151 x 55	Plastic Impeller	2650/3050	53/59	820
HIG-A172CM115H12I54T	172 x 151 x 55				
HIG-A172CP115M12I54L	172 x 151 x 55				
HIG-A172CM115M12I54L	172 x 151 x 55				

Finger Guard Accessory's

Product	Guard Type	Fan Size	Weight (g)
N/A			
N/A			
N/A			

Additional Information

Box Quantity:	12
Weight Per Box:	9.84 KG
Size Per Box:	41×39×21

Highland Axial AC Fan

Part Number: **HIG-A172CP115H12I54T**

Features:

Size (mm): 172 x 151 x 55

Maintenance-Free Ball Bearings

Aluminum Housing, Plastic Impeller

Insulation Class B, IP54

Thermally Protected (Auto Restart)

115 VAC



Product Description

Highland 172mm x 151mm Side Cut 55mm Thick Axial Fan with Plastic Impeller, 115 VAC, High Speed, AC Induction Capacitor Motor, IP54 Protection with Terminals

General Specification

Fan Type	Axial
Operating Voltage	115 VAC
Hz	50/60
Speed (RPM)	2650/3050
Airflow - CFM	210/250
Airflow - cubic m ³ /hr	356.792/424.753
Airflow - m ³ /s	0.099/0.118
Pressure - mmH ² O	14/15.5
Pressure - inchH ² O	0.551/0.61
Pressure - Pa	137.293/152.003
Noise dB	53/59
Operating Temperature	-20°C to +70°C
Expected Life (H)	70K @ 25 / 45K @ 40 Degrees Centigrade
Weight (g)	820
Tariff Code	8414.59.6590

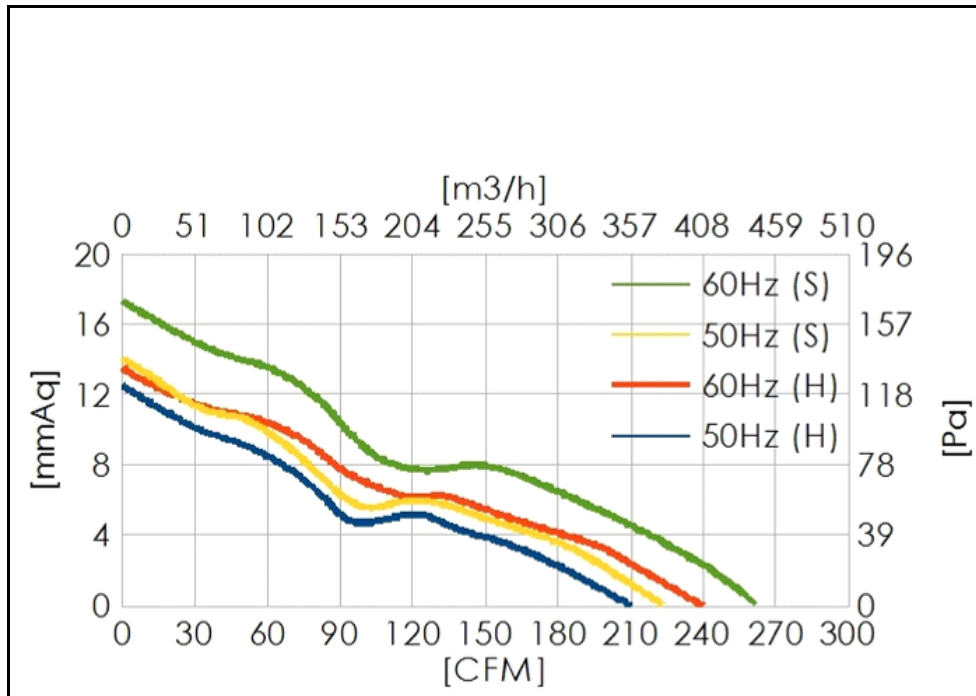
Mechanical Specifications

Fan Size	172 x 151 x 55
Frame Material	Aluminium
Impeller	Plastic Impeller

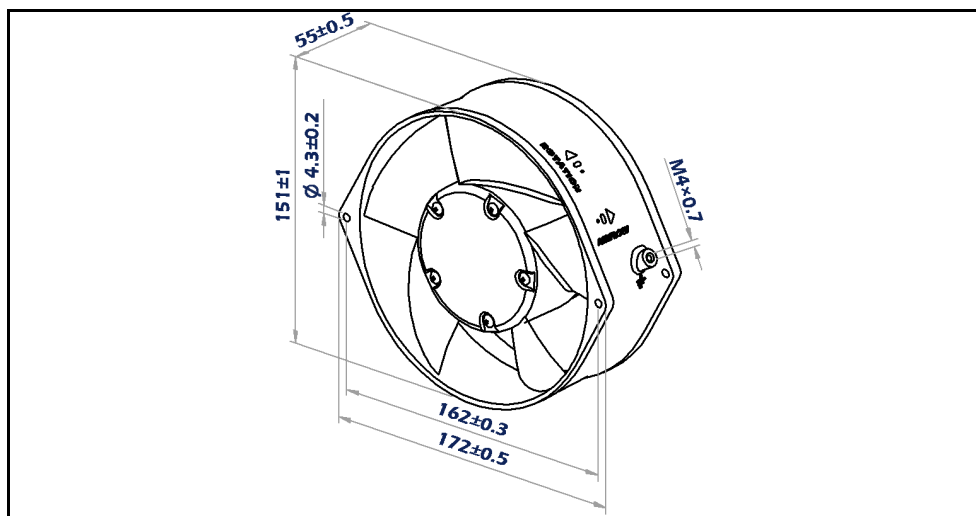
Approvals and Certificates

Approvals	CE	Y
	TUV	Y
	RoSH	Y
	UL	Y

Airflow Graph



Dimensional Drawing (mm)



Similar Products

Product	Size	Impeller Material	Speed	Noise	Weight
HIG-A172CM115M12I54T	172 x 151 x 55	Steel (Metal) Impeller	2400/2400	51/51	840
HIG-A172CP115S12I54L	172 x 151 x 55	Plastic Impeller	2800/3200	55/61	950
HIG-A172CM115S12I54L	172 x 151 x 55				
HIG-A172CP115S12I54T	172 x 151 x 55				
HIG-A172CM115S12I54T	172 x 151 x 55				

Finger Guard Accessory's

Product	Guard Type	Fan Size	Weight (g)
N/A			
N/A			
N/A			

Additional Information

Box Quantity:	12
Weight Per Box:	9.84 KG
Size Per Box:	41×39×21

Highland Axial AC Fan

Part Number: HIG-A172CP115H13I54T

Features:

Size (mm): 172 x 151 x 51

Maintenance-Free Ball Bearings

Aluminum Housing, Plastic Impeller

Insulation Class B, IP54

Thermally Protected (Auto Restart)

115 VAC



Product Description

Highland 172mm x 151mm Side Cut 51mm Thick Axial Fan with Plastic Impeller, 115 VAC, High Speed, AC Induction Capacitor Motor, IP54 Protection with Terminals

General Specification

Fan Type	Axial
Operating Voltage	115 VAC
Hz	50/60
Speed (RPM)	2650/3050
Airflow - CFM	210/250
Airflow - cubic m ³ /hr	356.792/424.753
Airflow - m ³ /s	0.099/0.118
Pressure - mmH ² O	14/15.5
Pressure - inchH ² O	0.551/0.61
Pressure - Pa	137.293/152.003
Noise dB	53/59
Operating Temperature	-20°C to +70°C
Expected Life (H)	70K @ 25 / 45K @ 40 Degrees Centigrade
Weight (g)	920
Tariff Code	8414.59.6590

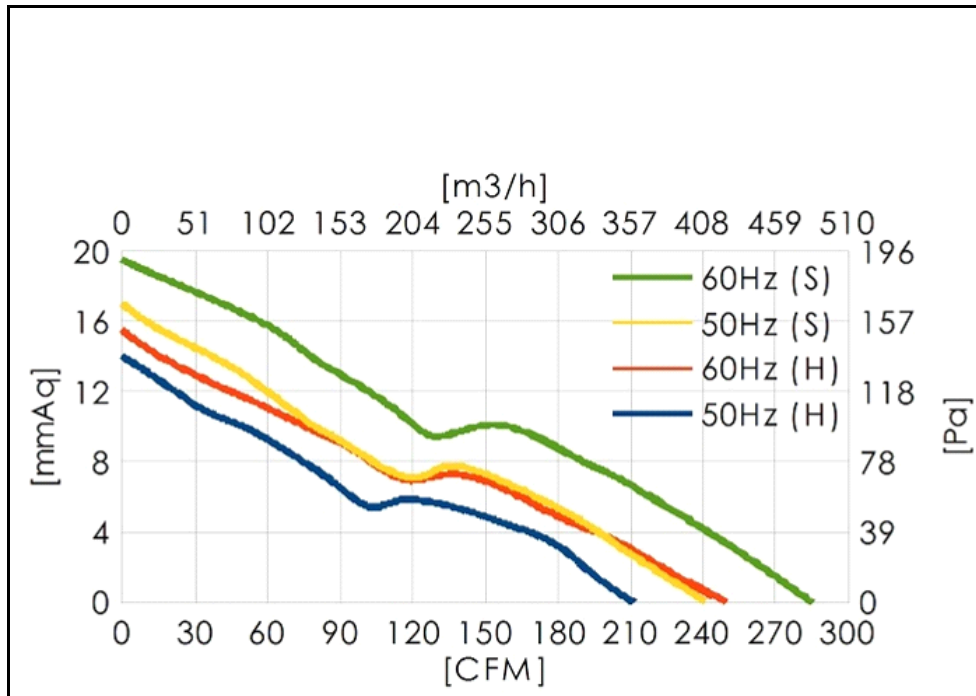
Mechanical Specifications

Fan Size	172 x 151 x 51
Frame Material	Aluminium
Impeller	Plastic Impeller

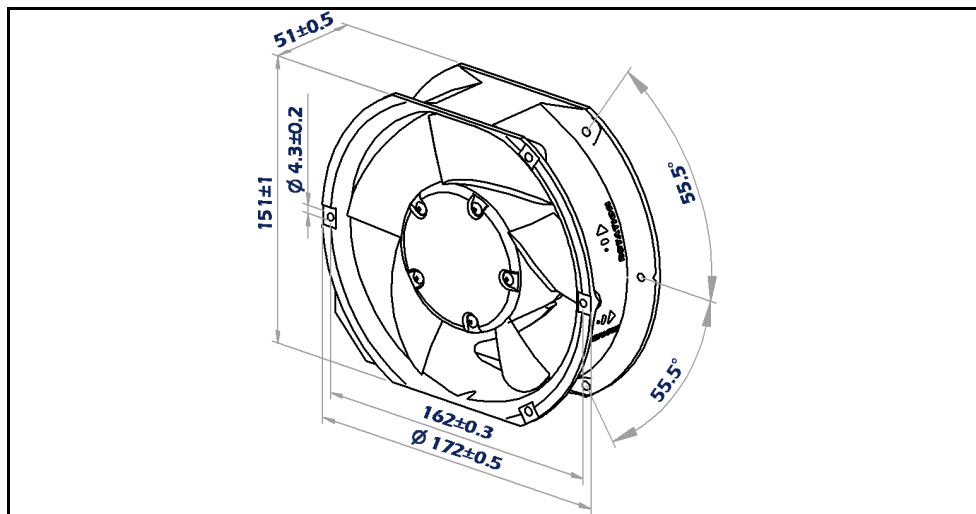
Approvals and Certificates

Approvals	CE	Y
	TUV	Y
	RoSH	Y
	UL	Y

Airflow Graph



Dimensional Drawing (mm)



Similar Products

Product	Size	Impeller Material	Speed	Noise	Weight
HIG-A172CP230S13I54T	172 x 151 x 51	Plastic Impeller	2800/3300	55/61	1050
HIG-A172CM230S13I54T	172 x 151 x 51	Steel (Metal) Impeller	2800/3300	55/61	1080
HIG-A172CP230U13I54L	172 x 151 x 51				
HIG-A172CP230U13I54T	172 x 151 x 51				
HIG-A172CMDUAS13I54L	172 x 151 x 51				

Finger Guard Accessory's

Product	Guard Type	Fan Size	Weight (g)
N/A			
N/A			
N/A			

Additional Information

Box Quantity:	12
Weight Per Box:	11.04 KG
Size Per Box:	41×39×21

Highland Axial AC Fan

Part Number: **HIG-A172CP115M12I54L**

Features:

Size (mm): 172 x 151 x 55

Maintenance-Free Ball Bearings

Aluminum Housing, Plastic Impeller

Insulation Class B, IP54

Thermally Protected (Auto Restart)

115 VAC



Product Description

Highland 172mm x 151mm Side Cut 55mm Thick Axial Fan with Plastic Impeller, 115 VAC, Medium Speed, AC Induction Capacitor Motor, IP54 Protection with Lead Wires

General Specification

Fan Type	Axial
Operating Voltage	115 VAC
Hz	50/60
Speed (RPM)	2400/2400
Airflow - CFM	183/185
Airflow - cubic m ³ /hr	310.919/314.317
Airflow - m ³ /s	0.086/0.087
Pressure - mmH ² O	6.3/4.9
Pressure - inchH ² O	0.248/0.193
Pressure - Pa	61.782/48.053
Noise dB	51/51
Operating Temperature	-20°C to +70°C
Expected Life (H)	70K @ 25 / 45K @ 40 Degrees Centigrade
Weight (g)	820
Tariff Code	8414.59.6590

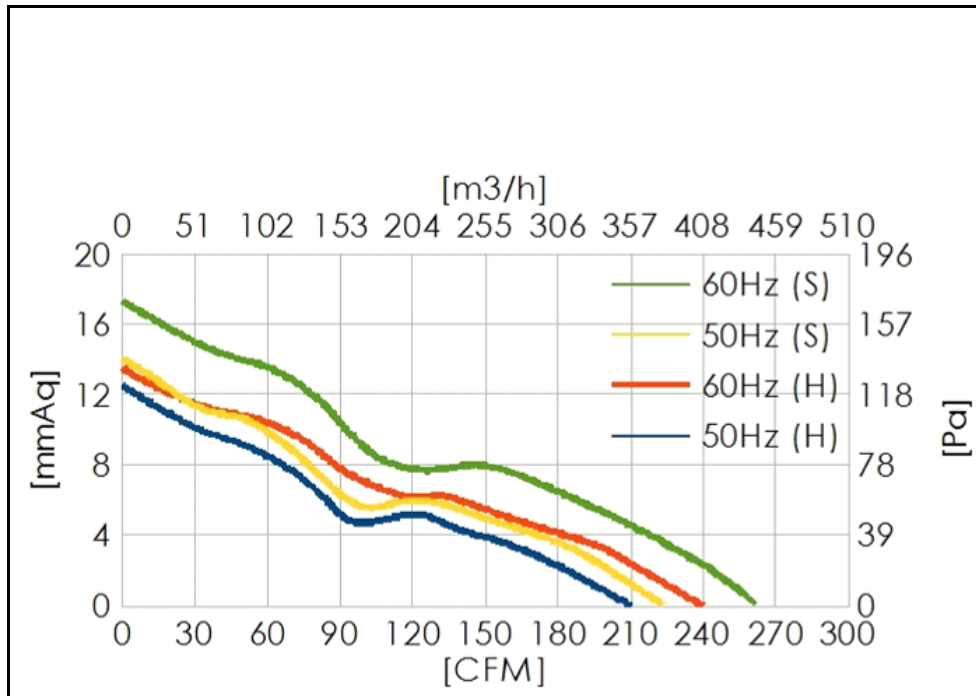
Mechanical Specifications

Fan Size	172 x 151 x 55
Frame Material	Aluminium
Impeller	Plastic Impeller

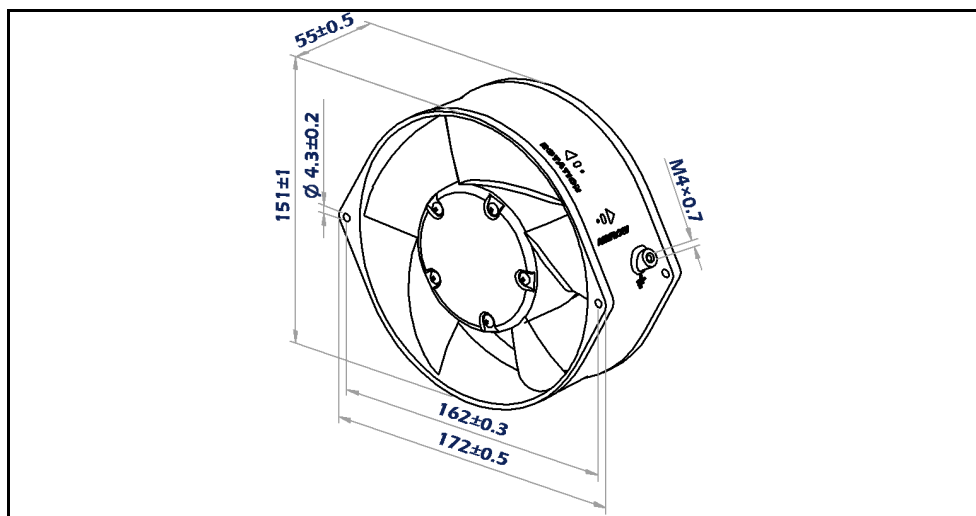
Approvals and Certificates

Approvals	CE	Y
	TUV	Y
	RoSH	Y
	UL	Y

Airflow Graph



Dimensional Drawing (mm)



Similar Products

Product	Size	Impeller Material	Speed	Noise	Weight
HIG-A172CM115M12I54T	172 x 151 x 55	Steel (Metal) Impeller	2400/2400	51/51	840
HIG-A172CP115S12I54L	172 x 151 x 55	Plastic Impeller	2800/3200	55/61	950
HIG-A172CM115S12I54L	172 x 151 x 55				
HIG-A172CP115S12I54T	172 x 151 x 55				
HIG-A172CM115S12I54T	172 x 151 x 55				

Finger Guard Accessory's

Product	Guard Type	Fan Size	Weight (g)
N/A			
N/A			
N/A			

Additional Information

Box Quantity:	12
Weight Per Box:	9.84 KG
Size Per Box:	41×39×21

Highland Axial AC Fan

Part Number: **HIG-A172CP115S12I54L**

Features:

Size (mm): 172 x 151 x 55

Maintenance-Free Ball Bearings

Aluminum Housing, Plastic Impeller

Insulation Class B, IP54

Thermally Protected (Auto Restart)

115 VAC



Product Description

Highland 172mm x 151mm Side Cut 55mm Thick Axial Fan with Plastic Impeller, 115 VAC, Super Speed, AC Induction Capacitor Motor, IP54 Protection with Lead Wires

General Specification

Fan Type	Axial
Operating Voltage	115 VAC
Hz	50/60
Speed (RPM)	2800/3200
Airflow - CFM	230/270
Airflow - cubic m ³ /hr	390.772/458.733
Airflow - m ³ /s	0.109/0.127
Pressure - mmH ² O	16.5/20.0
Pressure - inchH ² O	0.65/0.787
Pressure - Pa	161.81/196.133
Noise dB	55/61
Operating Temperature	-20°C to +70°C
Expected Life (H)	70K @ 25 / 45K @ 40 Degrees Centigrade
Weight (g)	950
Tariff Code	8414.59.6590

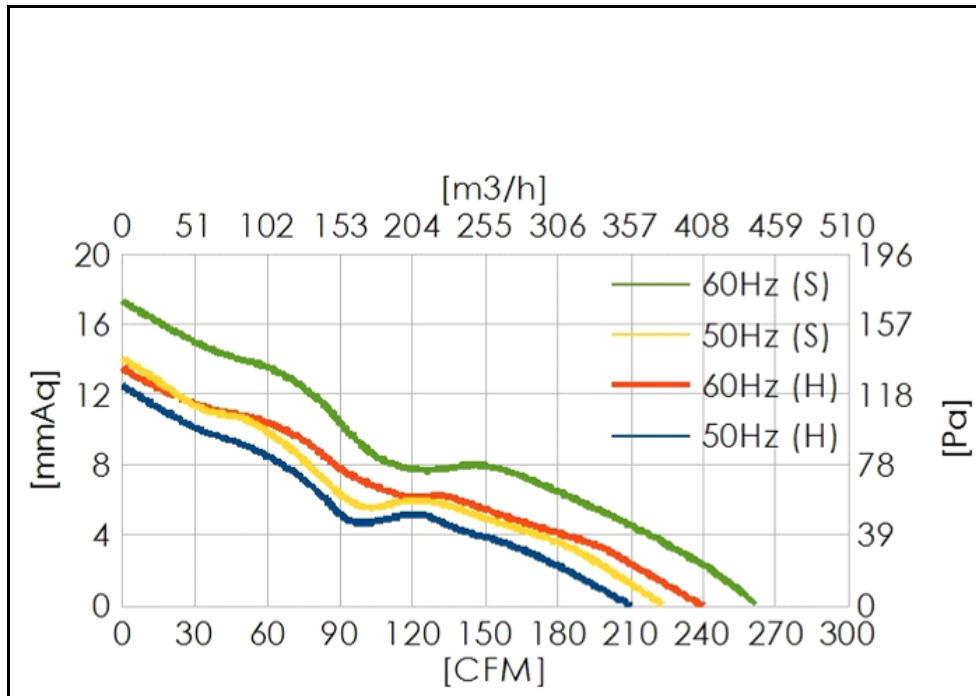
Mechanical Specifications

Fan Size	172 x 151 x 55
Frame Material	Aluminium
Impeller	Plastic Impeller

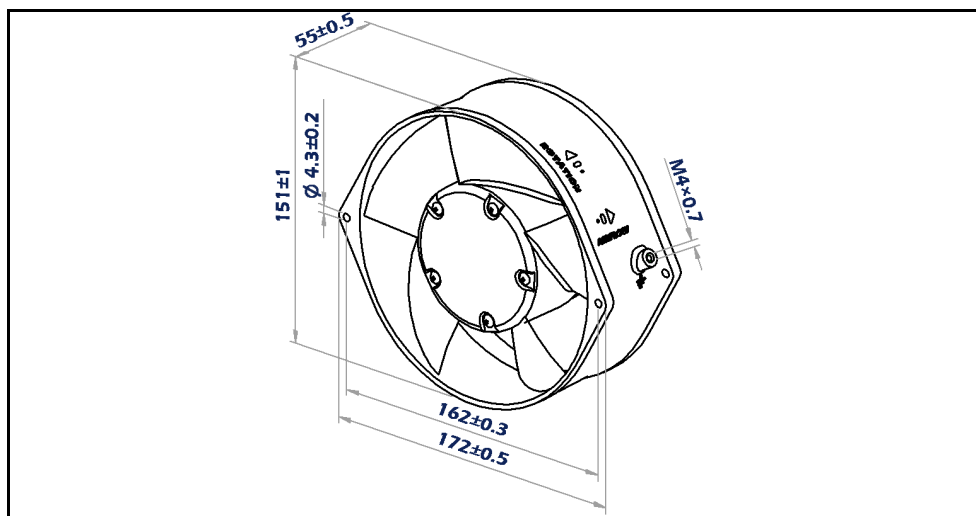
Approvals and Certificates

Approvals	CE	Y
	TUV	Y
	RoSH	Y
	UL	Y

Airflow Graph



Dimensional Drawing (mm)



Similar Products

Product	Size	Impeller Material	Speed	Noise	Weight
HIG-A172CM115H12I54L	172 x 151 x 55	Steel (Metal) Impeller	2700/3100	53/59	840
HIG-A172CP115H12I54T	172 x 151 x 55	Plastic Impeller	2650/3050	53/59	820
HIG-A172CM115H12I54T	172 x 151 x 55				
HIG-A172CP115M12I54L	172 x 151 x 55				
HIG-A172CM115M12I54L	172 x 151 x 55				

Finger Guard Accessory's

Product	Guard Type	Fan Size	Weight (g)
N/A			
N/A			
N/A			

Additional Information

Box Quantity:	12
Weight Per Box:	11.4 KG
Size Per Box:	41×39×21

Highland Axial AC Fan

Part Number: **HIG-A172CP115S12I54T**

Features:

Size (mm): 172 x 151 x 55

Maintenance-Free Ball Bearings

Aluminum Housing, Plastic Impeller

Insulation Class B, IP54

Thermally Protected (Auto Restart)

115 VAC



Product Description

Highland 172mm x 151mm Side Cut 55mm Thick Axial Fan with Plastic Impeller, 115 VAC, Super Speed, AC Induction Capacitor Motor, IP54 Protection with Terminals

General Specification

Fan Type	Axial
Operating Voltage	115 VAC
Hz	50/60
Speed (RPM)	2800/3200
Airflow - CFM	230/270
Airflow - cubic m ³ /hr	390.772/458.733
Airflow - m ³ /s	0.109/0.127
Pressure - mmH ² O	16.5/20.0
Pressure - inchH ² O	0.65/0.787
Pressure - Pa	161.81/196.133
Noise dB	55/61
Operating Temperature	-20°C to +70°C
Expected Life (H)	70K @ 25 / 45K @ 40 Degrees Centigrade
Weight (g)	950
Tariff Code	8414.59.6590

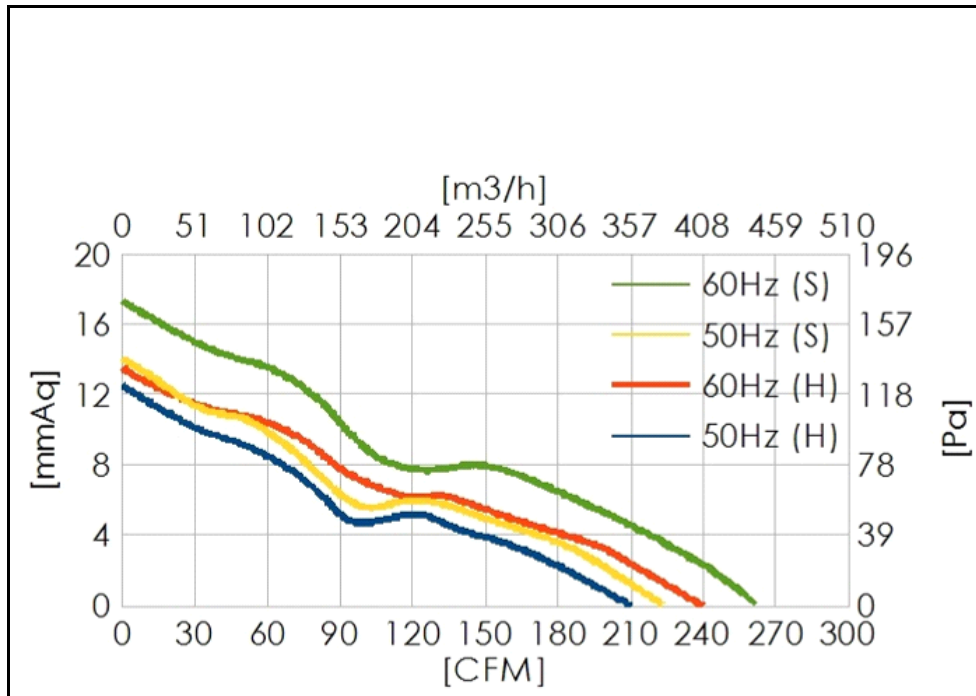
Mechanical Specifications

Fan Size	172 x 151 x 55
Frame Material	Aluminium
Impeller	Plastic Impeller

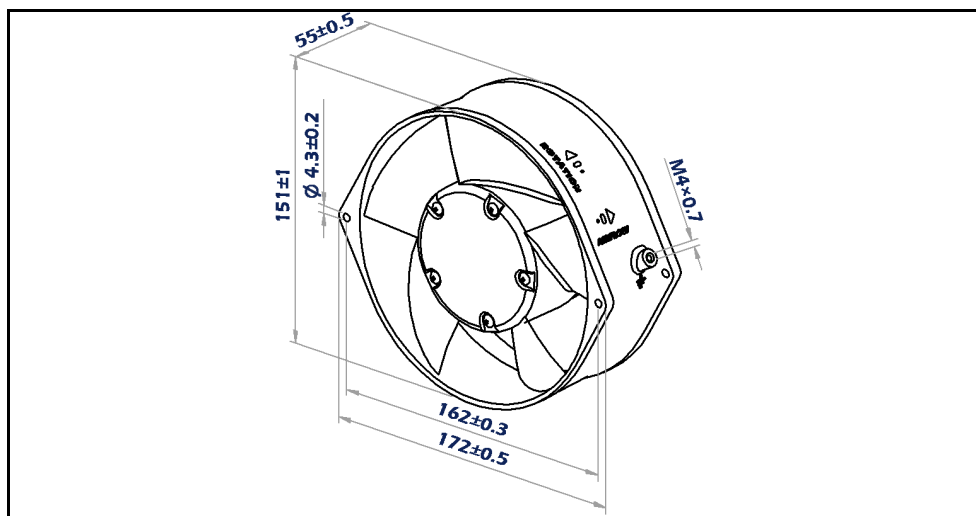
Approvals and Certificates

Approvals	CE	Y
	TUV	Y
	RoSH	Y
	UL	Y

Airflow Graph



Dimensional Drawing (mm)



Similar Products

Product	Size	Impeller Material	Speed	Noise	Weight
HIG-A172CM115H12I54L	172 x 151 x 55	Steel (Metal) Impeller	2700/3100	53/59	840
HIG-A172CP115H12I54T	172 x 151 x 55	Plastic Impeller	2650/3050	53/59	820
HIG-A172CM115H12I54T	172 x 151 x 55				
HIG-A172CP115M12I54L	172 x 151 x 55				
HIG-A172CM115M12I54L	172 x 151 x 55				

Finger Guard Accessory's

Product	Guard Type	Fan Size	Weight (g)
N/A			
N/A			
N/A			

Additional Information

Box Quantity:	12
Weight Per Box:	11.4 KG
Size Per Box:	41×39×21

Highland Axial AC Fan

Part Number: **HIG-A172CP115S13I54L**

Features:

Size (mm): 172 x 151 x 51

Maintenance-Free Ball Bearings

Aluminum Housing, Plastic Impeller

Insulation Class B, IP54

Thermally Protected (Auto Restart)

115 VAC



Product Description

Highland 172mm x 151mm Side Cut 51mm Thick Axial Fan with Plastic Impeller, 115 VAC, Super Speed, AC Induction Capacitor Motor, IP54 Protection with Lead Wires

General Specification

Fan Type	Axial
Operating Voltage	115 VAC
Hz	50/60
Speed (RPM)	2800/3200
Airflow - CFM	230/270
Airflow - cubic m ³ /hr	390.772/458.733
Airflow - m ³ /s	0.109/0.127
Pressure - mmH ² O	16.5/20.0
Pressure - inchH ² O	0.65/0.787
Pressure - Pa	161.81/196.133
Noise dB	55/61
Operating Temperature	-20°C to +70°C
Expected Life (H)	70K @ 25 / 45K @ 40 Degrees Centigrade
Weight (g)	1050
Tariff Code	8414.59.6590

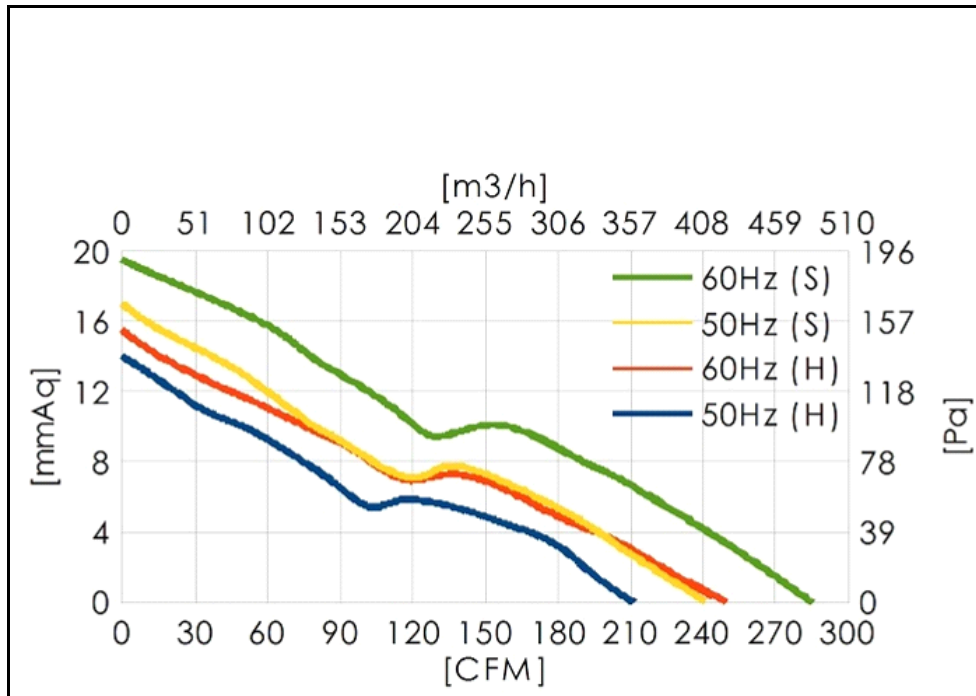
Mechanical Specifications

Fan Size	172 x 151 x 51
Frame Material	Aluminium
Impeller	Plastic Impeller

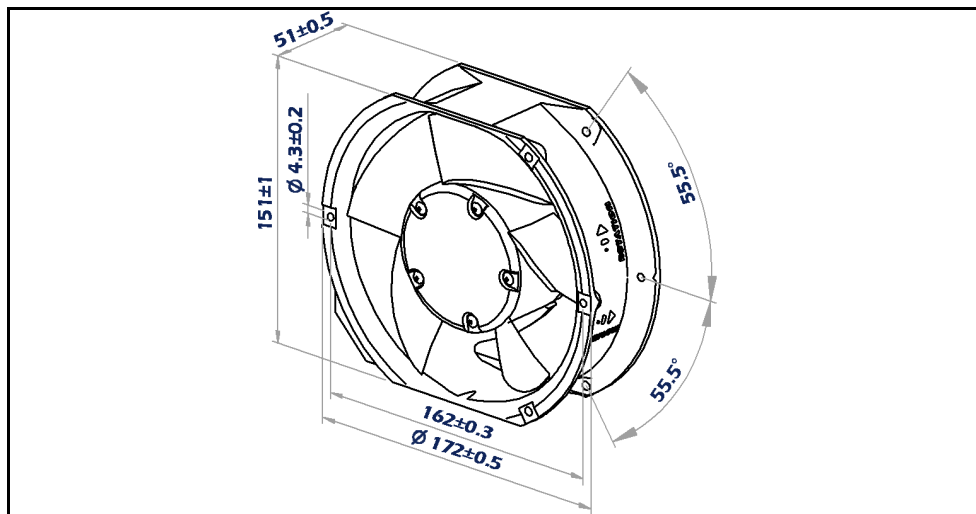
Approvals and Certificates

Approvals	CE	Y
	TUV	Y
	RoSH	Y
	UL	Y

Airflow Graph



Dimensional Drawing (mm)



Similar Products

Product	Size	Impeller Material	Speed	Noise	Weight
HIG-A172CP230S13I54T	172 x 151 x 51	Plastic Impeller	2800/3300	55/61	1050
HIG-A172CM230S13I54T	172 x 151 x 51	Steel (Metal) Impeller	2800/3300	55/61	1080
HIG-A172CP230U13I54L	172 x 151 x 51				
HIG-A172CP230U13I54T	172 x 151 x 51				
HIG-A172CMDUAS13I54L	172 x 151 x 51				

Finger Guard Accessory's

Product	Guard Type	Fan Size	Weight (g)
N/A			
N/A			
N/A			

Additional Information

Box Quantity:	12
Weight Per Box:	12.6 KG
Size Per Box:	41×39×21

Highland Axial AC Fan

Part Number: **HIG-A172CP115S13I54T**

Features:

Size (mm): 172 x 151 x 51

Maintenance-Free Ball Bearings

Aluminum Housing, Plastic Impeller

Insulation Class B, IP54

Thermally Protected (Auto Restart)

115 VAC



Product Description

Highland 172mm x 151mm Side Cut 51mm Thick Axial Fan with Plastic Impeller, 115 VAC, Super Speed, AC Induction Capacitor Motor, IP54 Protection with Terminals

General Specification

Fan Type	Axial
Operating Voltage	115 VAC
Hz	50/60
Speed (RPM)	2800/3200
Airflow - CFM	230/270
Airflow - cubic m ³ /hr	390.772/458.733
Airflow - m ³ /s	0.109/0.127
Pressure - mmH ² O	16.5/20.0
Pressure - inchH ² O	0.65/0.787
Pressure - Pa	161.81/196.133
Noise dB	55/61
Operating Temperature	-20°C to +70°C
Expected Life (H)	70K @ 25 / 45K @ 40 Degrees Centigrade
Weight (g)	1050
Tariff Code	8414.59.6590

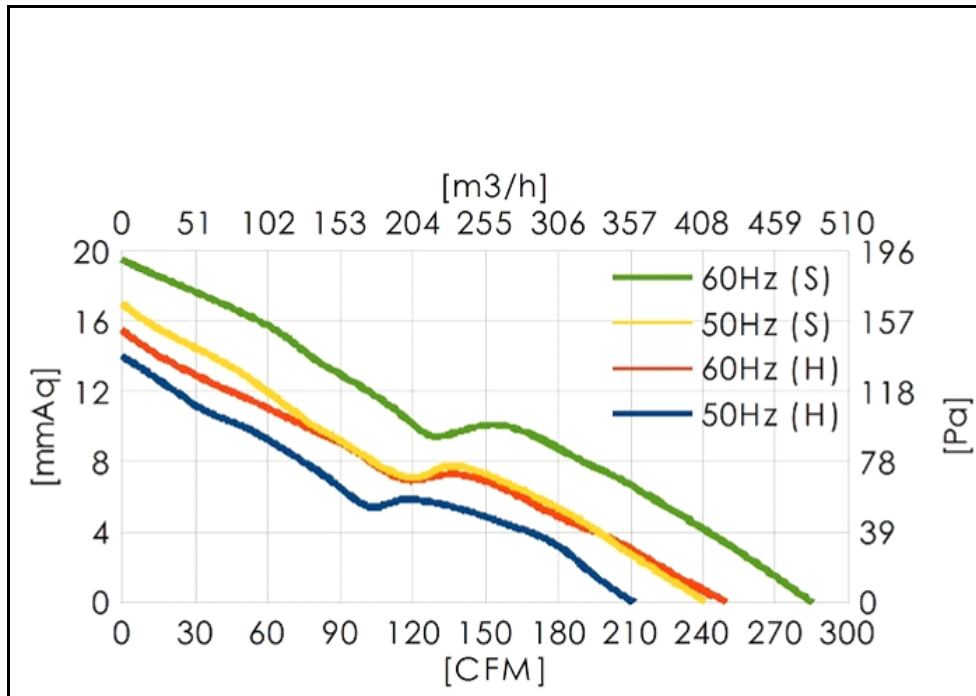
Mechanical Specifications

Fan Size	172 x 151 x 51
Frame Material	Aluminium
Impeller	Plastic Impeller

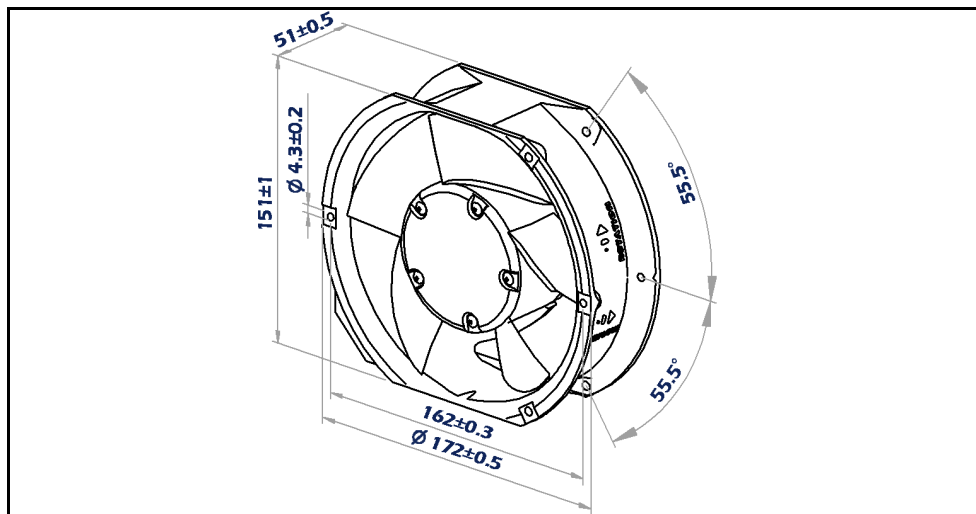
Approvals and Certificates

Approvals	CE	Y
	TUV	Y
	RoSH	Y
	UL	Y

Airflow Graph



Dimensional Drawing (mm)



Similar Products

Product	Size	Impeller Material	Speed	Noise	Weight
HIG-A172CP230S13I54T	172 x 151 x 51	Plastic Impeller	2800/3300	55/61	1050
HIG-A172CM230S13I54T	172 x 151 x 51	Steel (Metal) Impeller	2800/3300	55/61	1080
HIG-A172CP230U13I54L	172 x 151 x 51				
HIG-A172CP230U13I54T	172 x 151 x 51				
HIG-A172CMDUAS13I54L	172 x 151 x 51				

Finger Guard Accessory's

Product	Guard Type	Fan Size	Weight (g)
N/A			
N/A			
N/A			

Additional Information

Box Quantity:	12
Weight Per Box:	12.6 KG
Size Per Box:	41×39×21

Highland Axial AC Fan

Part Number: **HIG-A172CP115U12I54L**

Features:

Size (mm): 172 x 151 x 55

Maintenance-Free Ball Bearings

Aluminum Housing, Plastic Impeller

Insulation Class B, IP54

Thermally Protected (Auto Restart)

115 VAC



Product Description

Highland 172mm x 151mm Side Cut 55mm Thick Axial Fan with Plastic Impeller, 115 VAC, Ultra Speed, AC Induction Capacitor Motor, IP54 Protection with Lead Wires

General Specification

Fan Type	Axial
Operating Voltage	115 VAC
Hz	50/60
Speed (RPM)	2800/3200
Airflow - CFM	255/300
Airflow - cubic m ³ /hr	433.248/509.703
Airflow - m ³ /s	0.12/0.142
Pressure - mmH ² O	15.2/19.6
Pressure - inchH ² O	0.598/0.772
Pressure - Pa	149.061/192.211
Noise dB	55/61
Operating Temperature	-20°C to +70°C
Expected Life (H)	70K @ 25 / 45K @ 40 Degrees Centigrade
Weight (g)	950
Tariff Code	8414.59.6590

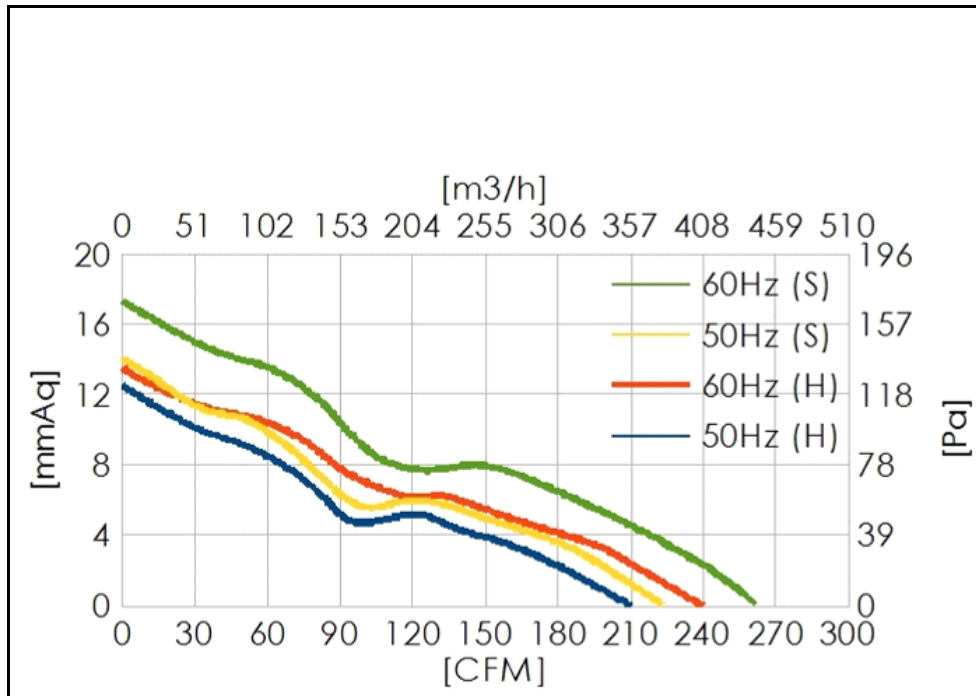
Mechanical Specifications

Fan Size	172 x 151 x 55
Frame Material	Aluminium
Impeller	Plastic Impeller

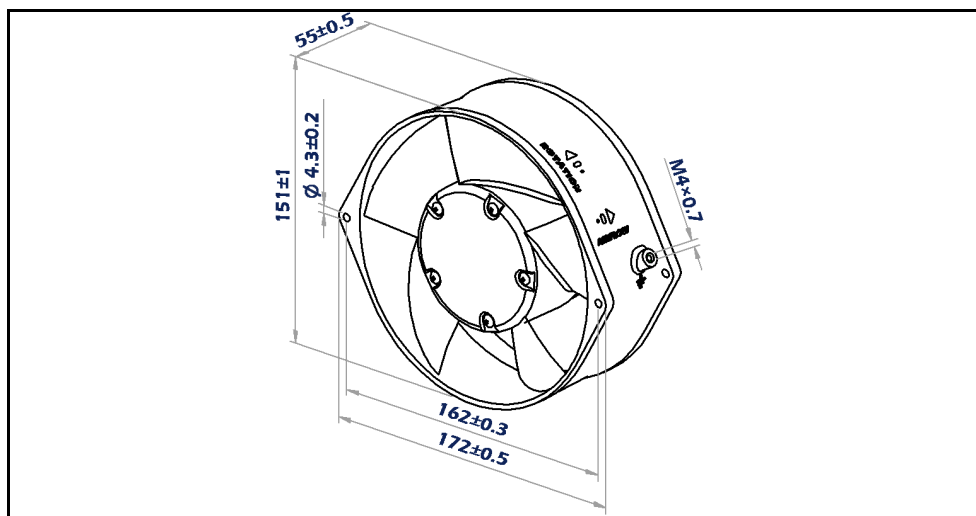
Approvals and Certificates

Approvals	CE	Y
	TUV	Y
	RoSH	Y
	UL	Y

Airflow Graph



Dimensional Drawing (mm)



Similar Products

Product	Size	Impeller Material	Speed	Noise	Weight
HIG-A172CM115H12I54L	172 x 151 x 55	Steel (Metal) Impeller	2700/3100	53/59	840
HIG-A172CP115H12I54T	172 x 151 x 55	Plastic Impeller	2650/3050	53/59	820
HIG-A172CM115H12I54T	172 x 151 x 55				
HIG-A172CP115M12I54L	172 x 151 x 55				
HIG-A172CM115M12I54L	172 x 151 x 55				

Finger Guard Accessory's

Product	Guard Type	Fan Size	Weight (g)
N/A			
N/A			
N/A			

Additional Information

Box Quantity:	12
Weight Per Box:	11.4 KG
Size Per Box:	41×39×21

Highland Axial AC Fan

Part Number: HIG-A172CP115U12I54T

Features:

Size (mm): 172 x 151 x 55

Maintenance-Free Ball Bearings

Aluminum Housing, Plastic Impeller

Insulation Class B, IP54

Thermally Protected (Auto Restart)

115 VAC



Product Description

Highland 172mm x 151mm Side Cut 55mm Thick Axial Fan with Plastic Impeller, 115 VAC, Ultra Speed, AC Induction Capacitor Motor, IP54 Protection with Terminals

General Specification

Fan Type	Axial
Operating Voltage	115 VAC
Hz	50/60
Speed (RPM)	2800/3200
Airflow - CFM	255/300
Airflow - cubic m ³ /hr	433.248/509.703
Airflow - m ³ /s	0.12/0.142
Pressure - mmH ² O	15.2/19.6
Pressure - inchH ² O	0.598/0.772
Pressure - Pa	149.061/192.211
Noise dB	55/61
Operating Temperature	-20°C to +70°C
Expected Life (H)	70K @ 25 / 45K @ 40 Degrees Centigrade
Weight (g)	950
Tariff Code	8414.59.6590

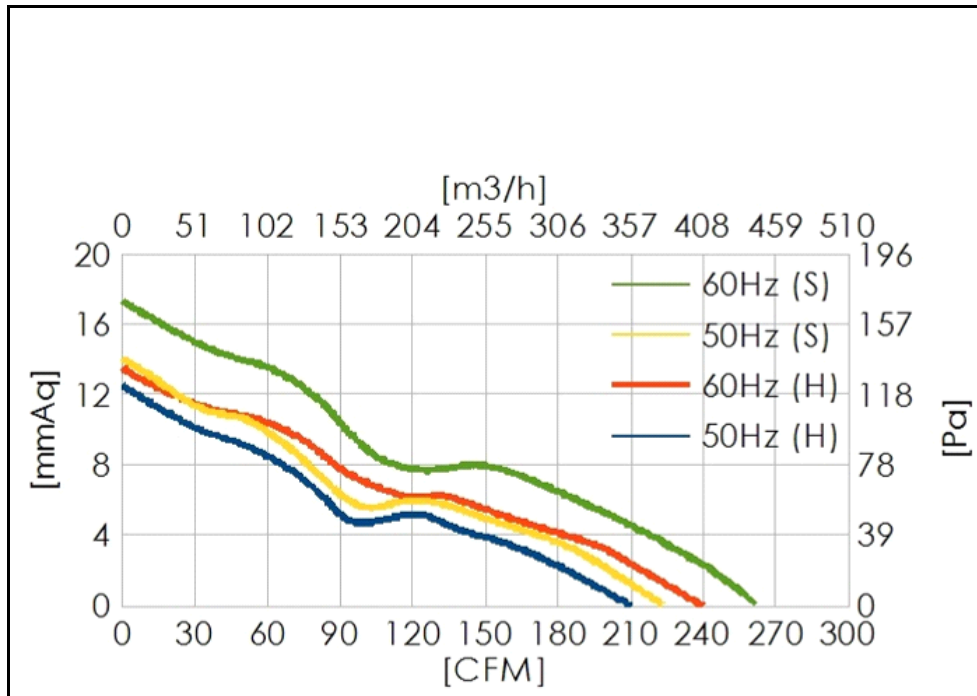
Mechanical Specifications

Fan Size	172 x 151 x 55
Frame Material	Aluminium
Impeller	Plastic Impeller

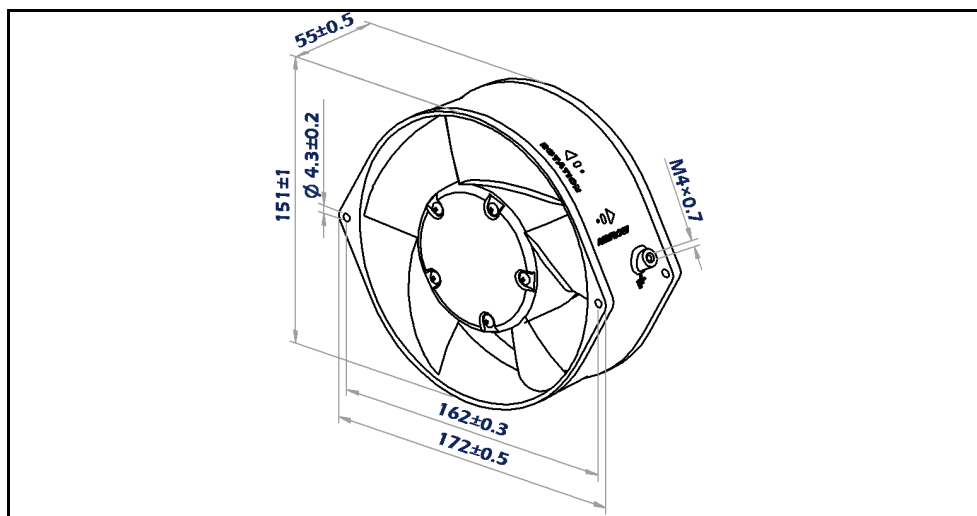
Approvals and Certificates

Approvals	CE	Y
	TUV	Y
	RoSH	Y
	UL	Y

Airflow Graph



Dimensional Drawing (mm)



Similar Products

Product	Size	Impeller Material	Speed	Noise	Weight
HIG-A172CM115H12I54L	172 x 151 x 55	Steel (Metal) Impeller	2700/3100	53/59	840
HIG-A172CP115H12I54T	172 x 151 x 55	Plastic Impeller	2650/3050	53/59	820
HIG-A172CM115H12I54T	172 x 151 x 55				
HIG-A172CP115M12I54L	172 x 151 x 55				
HIG-A172CM115M12I54L	172 x 151 x 55				

Finger Guard Accessory's

Product	Guard Type	Fan Size	Weight (g)
N/A			
N/A			
N/A			

Additional Information

Box Quantity:	12
Weight Per Box:	11.4 KG
Size Per Box:	41×39×21

Highland Axial AC Fan

Part Number: **HIG-A172CP115U13I54L**

Features:

Size (mm): 172 x 151 x 51

Maintenance-Free Ball Bearings

Aluminum Housing, Plastic Impeller

Insulation Class B, IP54

Thermally Protected (Auto Restart)

115 VAC



Product Description

Highland 172mm x 151mm Side Cut 51mm Thick Axial Fan with Plastic Impeller, 115 VAC, Ultra Speed, AC Induction Capacitor Motor, IP54 Protection with Lead Wires

General Specification

Fan Type	Axial
Operating Voltage	115 VAC
Hz	50/60
Speed (RPM)	2800/3200
Airflow - CFM	255/300
Airflow - cubic m ³ /hr	433.248/509.703
Airflow - m ³ /s	0.12/0.142
Pressure - mmH ² O	15.2/19.6
Pressure - inchH ² O	0.598/0.772
Pressure - Pa	149.061/192.211
Noise dB	55/61
Operating Temperature	-20°C to +70°C
Expected Life (H)	70K @ 25 / 45K @ 40 Degrees Centigrade
Weight (g)	1050
Tariff Code	8414.59.6590

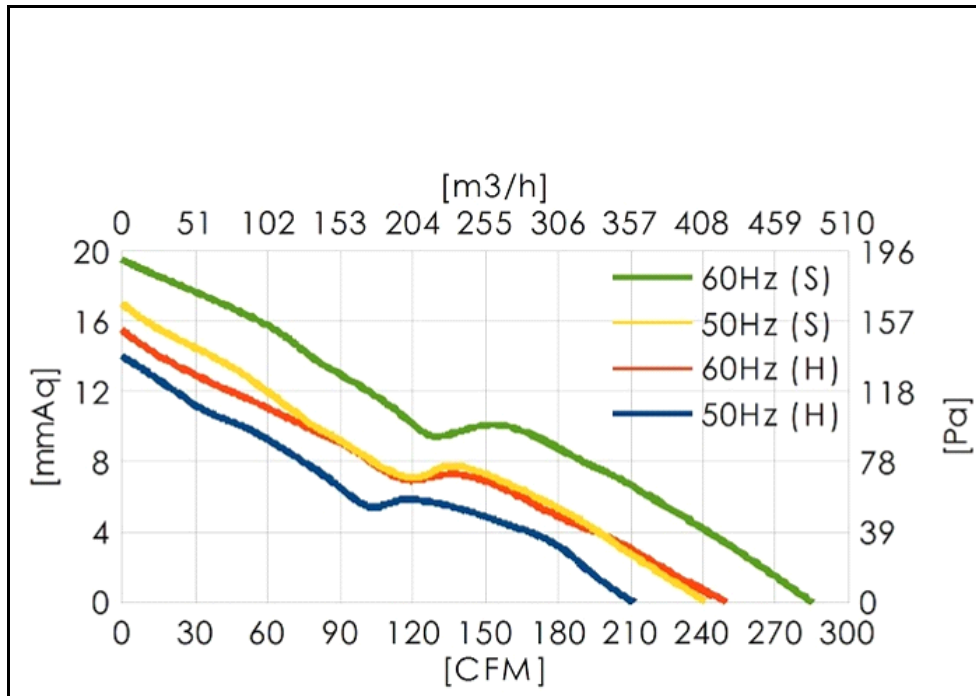
Mechanical Specifications

Fan Size	172 x 151 x 51
Frame Material	Aluminium
Impeller	Plastic Impeller

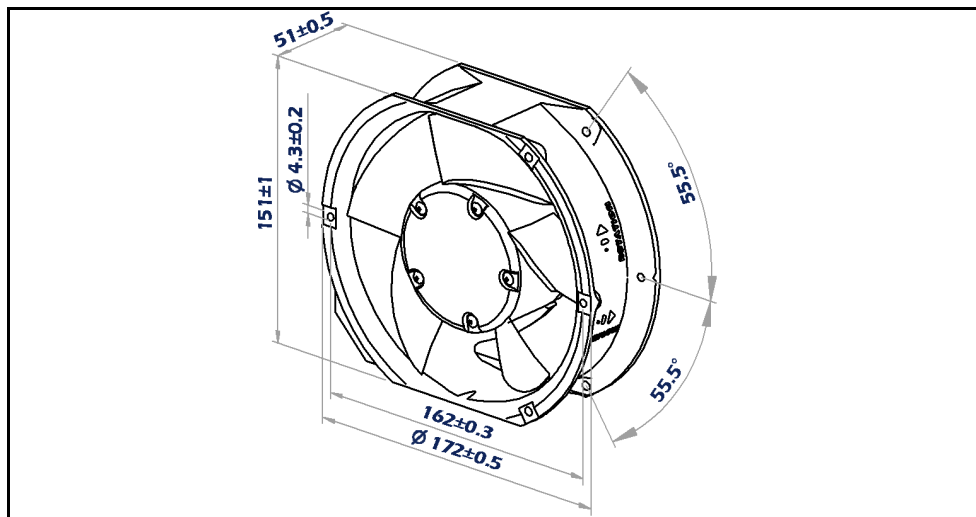
Approvals and Certificates

Approvals	CE	Y
	TUV	Y
	RoSH	Y
	UL	Y

Airflow Graph



Dimensional Drawing (mm)



Similar Products

Product	Size	Impeller Material	Speed	Noise	Weight
HIG-A172CP230S13I54T	172 x 151 x 51	Plastic Impeller	2800/3300	55/61	1050
HIG-A172CM230S13I54T	172 x 151 x 51	Steel (Metal) Impeller	2800/3300	55/61	1080
HIG-A172CP230U13I54L	172 x 151 x 51				
HIG-A172CP230U13I54T	172 x 151 x 51				
HIG-A172CMDUAS13I54L	172 x 151 x 51				

Finger Guard Accessory's

Product	Guard Type	Fan Size	Weight (g)
N/A			
N/A			
N/A			

Additional Information

Box Quantity:	12
Weight Per Box:	12.6 KG
Size Per Box:	41×39×21

Highland Axial AC Fan

Part Number: HIG-A172CP115U13I54T

Features:

Size (mm): 172 x 151 x 51

Maintenance-Free Ball Bearings

Aluminum Housing, Plastic Impeller

Insulation Class B, IP54

Thermally Protected (Auto Restart)

115 VAC



Product Description

Highland 172mm x 151mm Side Cut 51mm Thick Axial Fan with Plastic Impeller, 115 VAC, Ultra Speed, AC Induction Capacitor Motor, IP54 Protection with Terminals

General Specification

Fan Type	Axial
Operating Voltage	115 VAC
Hz	50/60
Speed (RPM)	2800/3200
Airflow - CFM	255/300
Airflow - cubic m ³ /hr	433.248/509.703
Airflow - m ³ /s	0.12/0.142
Pressure - mmH ² O	15.2/19.6
Pressure - inchH ² O	0.598/0.772
Pressure - Pa	149.061/192.211
Noise dB	55/61
Operating Temperature	-20°C to +70°C
Expected Life (H)	70K @ 25 / 45K @ 40 Degrees Centigrade
Weight (g)	1050
Tariff Code	8414.59.6590

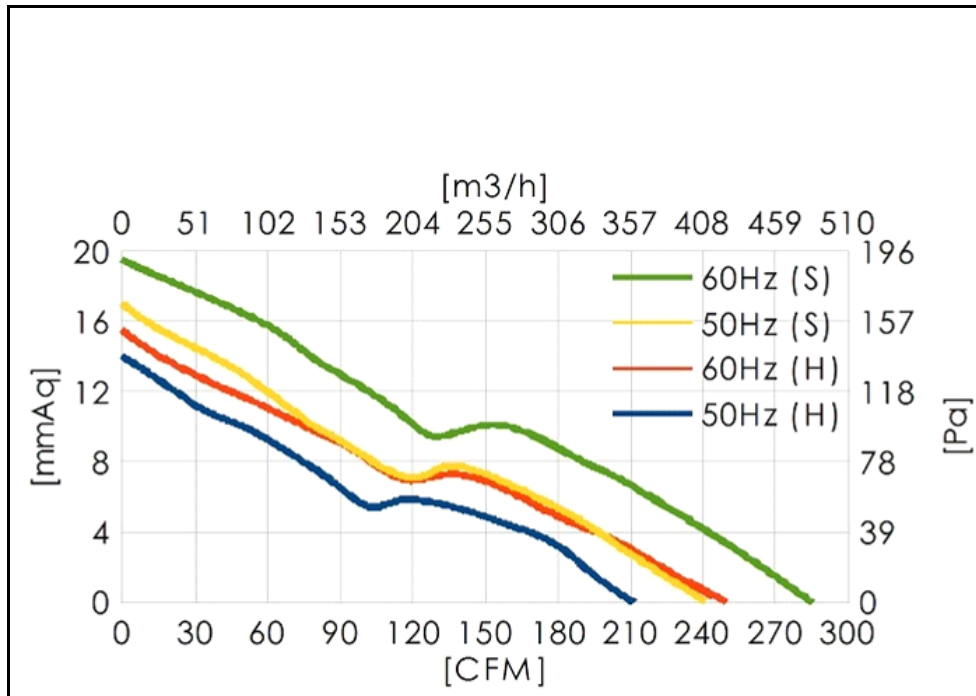
Mechanical Specifications

Fan Size	172 x 151 x 51
Frame Material	Aluminium
Impeller	Plastic Impeller

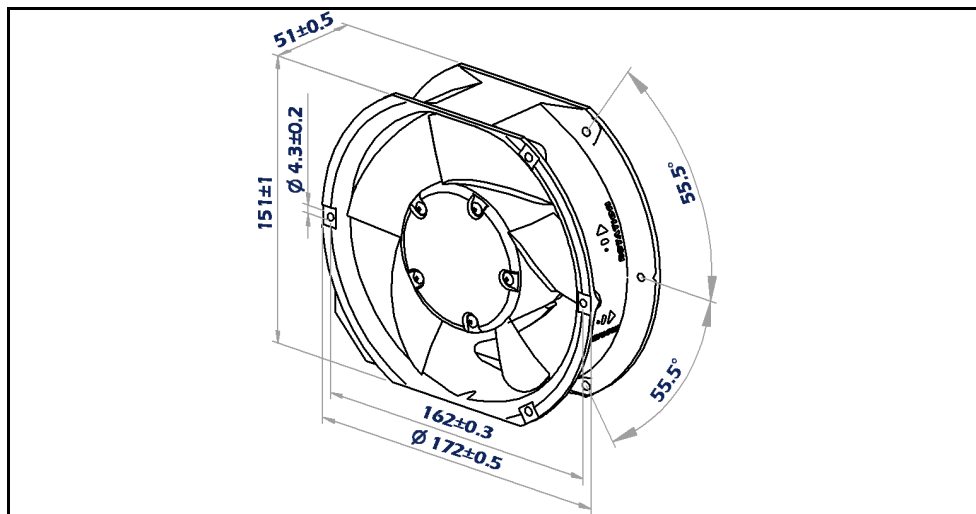
Approvals and Certificates

Approvals	CE	Y
	TUV	Y
	RoSH	Y
	UL	Y

Airflow Graph



Dimensional Drawing (mm)



Similar Products

Product	Size	Impeller Material	Speed	Noise	Weight
HIG-A172CP230S13I54T	172 x 151 x 51	Plastic Impeller	2800/3300	55/61	1050
HIG-A172CM230S13I54T	172 x 151 x 51	Steel (Metal) Impeller	2800/3300	55/61	1080
HIG-A172CP230U13I54L	172 x 151 x 51				
HIG-A172CP230U13I54T	172 x 151 x 51				
HIG-A172CMDUAS13I54L	172 x 151 x 51				

Finger Guard Accessory's

Product	Guard Type	Fan Size	Weight (g)
N/A			
N/A			
N/A			

Additional Information

Box Quantity:	12
Weight Per Box:	12.6 KG
Size Per Box:	41×39×21

Highland Axial AC Fan

Part Number: **HIG-A172CP230B12I54L**

Features:

Size (mm): 172 x 151 x 55

Maintenance-Free Ball Bearings

Aluminum Housing, Plastic Impeller

Insulation Class B, IP54

Thermally Protected (Auto Restart)

230 VAC



Product Description

Highland 172mm x 151mm Side Cut 55mm Thick Axial Fan with Plastic Impeller, 230 VAC, Reversible Speed, AC Induction Capacitor Motor, IP54 Protection with Lead Wires

General Specification

Fan Type	Axial
Operating Voltage	230 VAC
Hz	50/60
Speed (RPM)	2700/3100(CW)2700/3200(CCW)
Airflow - CFM	200/230(CW)160/185(CCW)
Airflow - cubic m ³ /hr	339.802/390.772
Airflow - m ³ /s	0.094/0.109
Pressure - mmH ² O	13/14(CW)11/15(CCW)
Pressure - inchH ² O	0.512/0.551
Pressure - Pa	127.487/137.293
Noise dB	53/59
Operating Temperature	-20°C to +70°C
Expected Life (H)	70K @ 25 / 45K @ 40 Degrees Centigrade
Weight (g)	950
Tariff Code	8414.59.6590

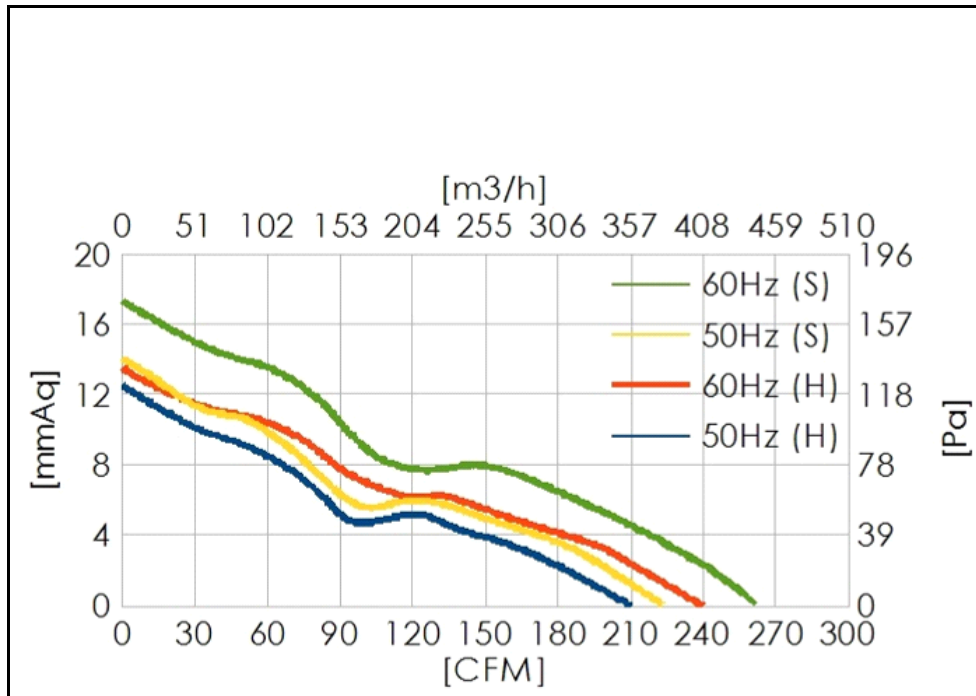
Mechanical Specifications

Fan Size	172 x 151 x 55
Frame Material	Aluminium
Impeller	Plastic Impeller

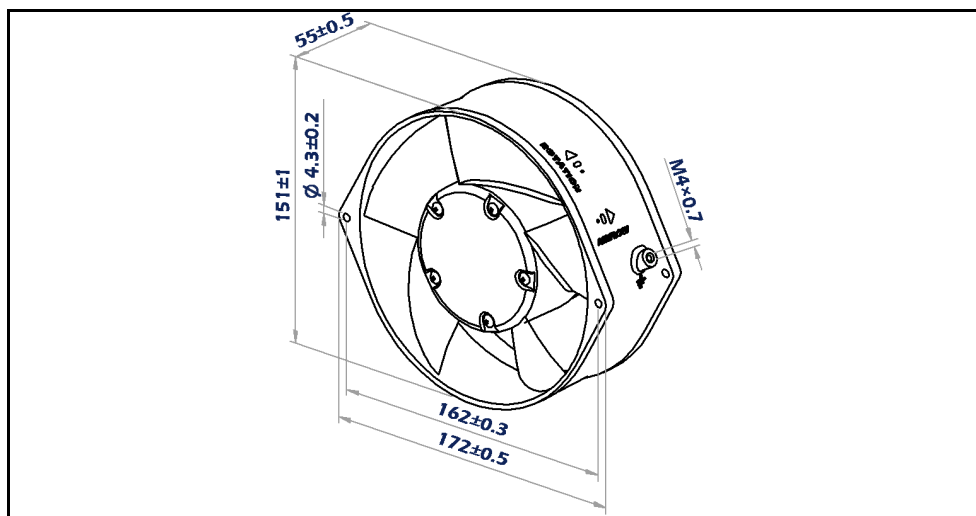
Approvals and Certificates

Approvals	CE	Y
	TUV	Y
	RoSH	Y
	UL	Y

Airflow Graph



Dimensional Drawing (mm)



Similar Products

Product	Size	Impeller Material	Speed	Noise	Weight
HIG-A172CM115H12I54L	172 x 151 x 55	Steel (Metal) Impeller	2700/3100	53/59	840
HIG-A172CP115H12I54T	172 x 151 x 55	Plastic Impeller	2650/3050	53/59	820
HIG-A172CM115H12I54T	172 x 151 x 55				
HIG-A172CP115M12I54L	172 x 151 x 55				
HIG-A172CM115M12I54L	172 x 151 x 55				

Finger Guard Accessory's

Product	Guard Type	Fan Size	Weight (g)
N/A			
N/A			
N/A			

Additional Information

Box Quantity:	12
Weight Per Box:	11.4 KG
Size Per Box:	41×39×21

Highland Axial AC Fan

Part Number: HIG-A172CP230B13I54L

Features:

Size (mm): 172 x 151 x 51

Maintenance-Free Ball Bearings

Aluminum Housing, Plastic Impeller

Insulation Class B, IP54

Thermally Protected (Auto Restart)

230 VAC



Product Description

Highland 172mm x 151mm Side Cut 51mm Thick Axial Fan with Plastic Impeller, 230 VAC, Reversible Speed, AC Induction Capacitor Motor, IP54 Protection with Lead Wires

General Specification

Fan Type	Axial
Operating Voltage	230 VAC
Hz	50/60
Speed (RPM)	2700/3100(CW)2700/3200(CCW)
Airflow - CFM	200/230(CW)160/185(CCW)
Airflow - cubic m ³ /hr	339.802/390.772
Airflow - m ³ /s	0.094/0.109
Pressure - mmH ² O	13/14(CW)11/15(CCW)
Pressure - inchH ² O	0.512/0.551
Pressure - Pa	127.487/137.293
Noise dB	53/59
Operating Temperature	-20°C to +70°C
Expected Life (H)	70K @ 25 / 45K @ 40 Degrees Centigrade
Weight (g)	1050
Tariff Code	8414.59.6590

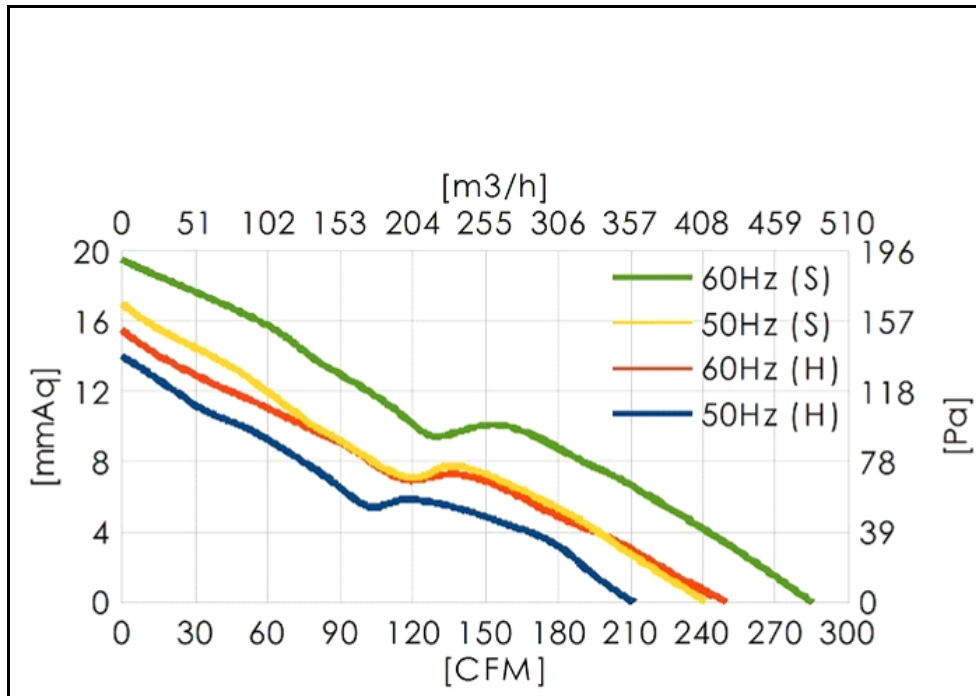
Mechanical Specifications

Fan Size	172 x 151 x 51
Frame Material	Aluminium
Impeller	Plastic Impeller

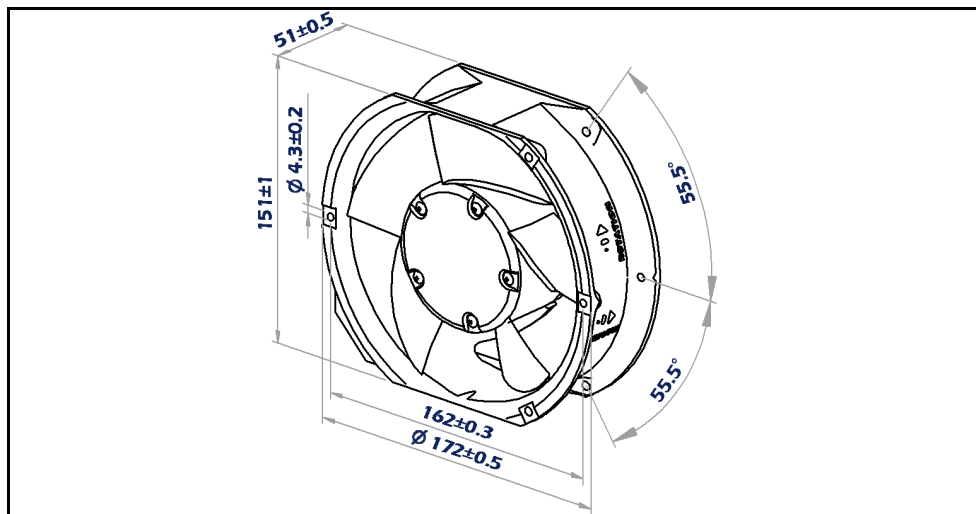
Approvals and Certificates

Approvals	CE	Y
	TUV	Y
	RoSH	Y
	UL	Y

Airflow Graph



Dimensional Drawing (mm)



Similar Products

Product	Size	Impeller Material	Speed	Noise	Weight
HIG-A172CP230S13I54T	172 x 151 x 51	Plastic Impeller	2800/3300	55/61	1050
HIG-A172CM230S13I54T	172 x 151 x 51	Steel (Metal) Impeller	2800/3300	55/61	1080
HIG-A172CP230U13I54L	172 x 151 x 51				
HIG-A172CP230U13I54T	172 x 151 x 51				
HIG-A172CMDUAS13I54L	172 x 151 x 51				

Finger Guard Accessory's

Product	Guard Type	Fan Size	Weight (g)
N/A			
N/A			
N/A			

Additional Information

Box Quantity:	12
Weight Per Box:	12.6 KG
Size Per Box:	41×39×21

Highland Axial AC Fan

Part Number: **HIG-A172CP230H12I54L**

Features:

Size (mm): 172 x 151 x 55

Maintenance-Free Ball Bearings

Aluminum Housing, Plastic Impeller

Insulation Class B, IP54

Thermally Protected (Auto Restart)

230 VAC



Product Description

Highland 172mm x 151mm Side Cut 55mm Thick Axial Fan with Plastic Impeller, 230 VAC, High Speed, AC Induction Capacitor Motor, IP54 Protection with Lead Wires

General Specification

Fan Type	Axial
Operating Voltage	230 VAC
Hz	50/60
Speed (RPM)	2650/3050
Airflow - CFM	210/250
Airflow - cubic m ³ /hr	356.792/424.753
Airflow - m ³ /s	0.099/0.118
Pressure - mmH ² O	14/15.5
Pressure - inchH ² O	0.551/0.61
Pressure - Pa	137.293/152.003
Noise dB	53/59
Operating Temperature	-20°C to +70°C
Expected Life (H)	70K @ 25 / 45K @ 40 Degrees Centigrade
Weight (g)	820
Tariff Code	8414.59.6590

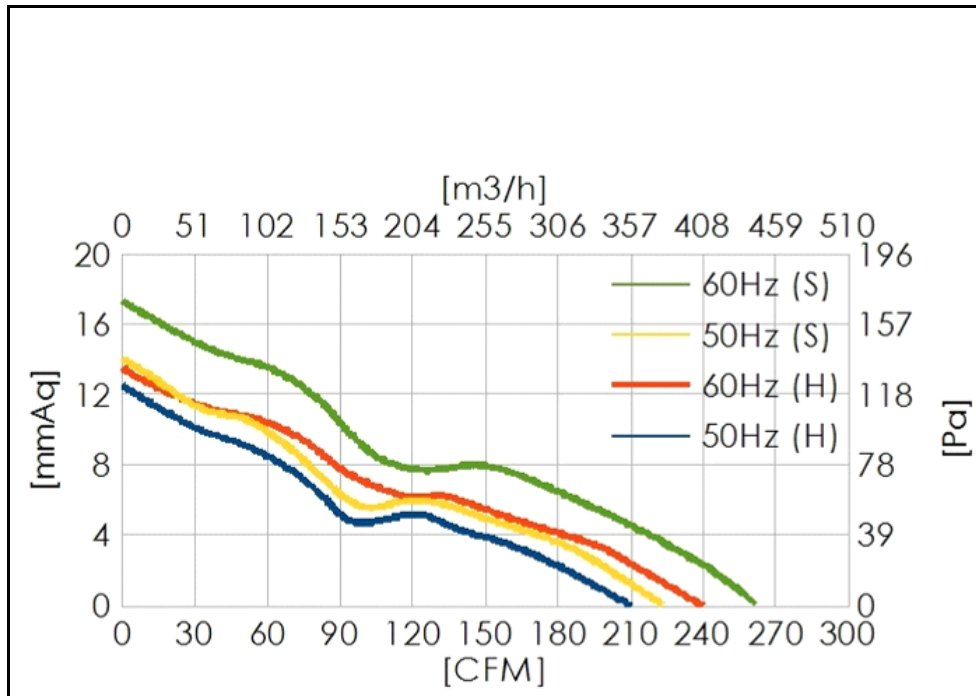
Mechanical Specifications

Fan Size	172 x 151 x 55
Frame Material	Aluminium
Impeller	Plastic Impeller

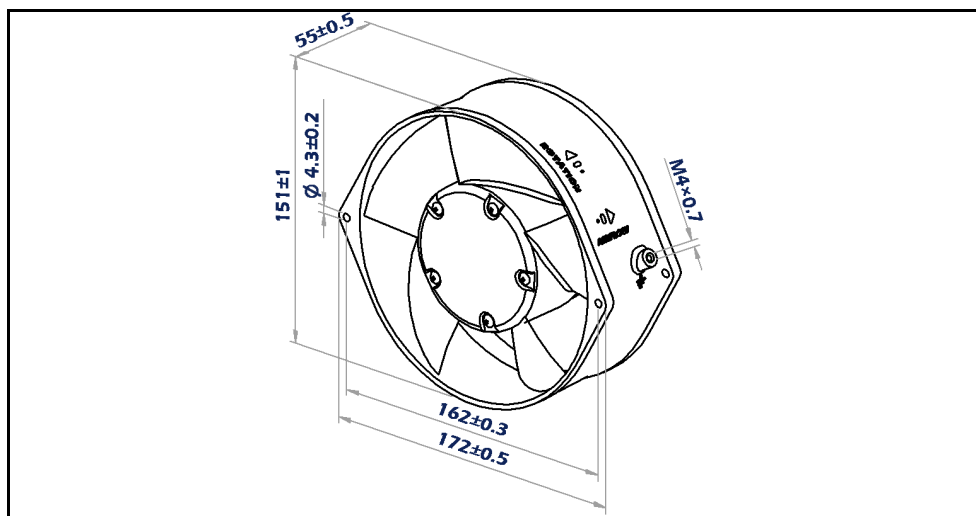
Approvals and Certificates

Approvals	CE	Y
	TUV	Y
	RoSH	Y
	UL	Y

Airflow Graph



Dimensional Drawing (mm)



Similar Products

Product	Size	Impeller Material	Speed	Noise	Weight
HIG-A172CM115H12I54L	172 x 151 x 55	Steel (Metal) Impeller	2700/3100	53/59	840
HIG-A172CP115H12I54T	172 x 151 x 55	Plastic Impeller	2650/3050	53/59	820
HIG-A172CM115H12I54T	172 x 151 x 55				
HIG-A172CP115M12I54L	172 x 151 x 55				
HIG-A172CM115M12I54L	172 x 151 x 55				

Finger Guard Accessory's

Product	Guard Type	Fan Size	Weight (g)
N/A			
N/A			
N/A			

Additional Information

Box Quantity:	12
Weight Per Box:	9.84 KG
Size Per Box:	41×39×21

Highland Axial AC Fan

Part Number: **HIG-A172CP230H12I54T**

Features:

Size (mm): 172 x 151 x 55

Maintenance-Free Ball Bearings

Aluminum Housing, Plastic Impeller

Insulation Class B, IP54

Thermally Protected (Auto Restart)

230 VAC



Product Description

Highland 172mm x 151mm Side Cut 55mm Thick Axial Fan with Plastic Impeller, 230 VAC, High Speed, AC Induction Capacitor Motor, IP54 Protection with Terminals

General Specification

Fan Type	Axial
Operating Voltage	230 VAC
Hz	50/60
Speed (RPM)	2650/3050
Airflow - CFM	210/250
Airflow - cubic m ³ /hr	356.792/424.753
Airflow - m ³ /s	0.099/0.118
Pressure - mmH ² O	14/15.5
Pressure - inchH ² O	0.551/0.61
Pressure - Pa	137.293/152.003
Noise dB	53/59
Operating Temperature	-20°C to +70°C
Expected Life (H)	70K @ 25 / 45K @ 40 Degrees Centigrade
Weight (g)	820
Tariff Code	8414.59.6590

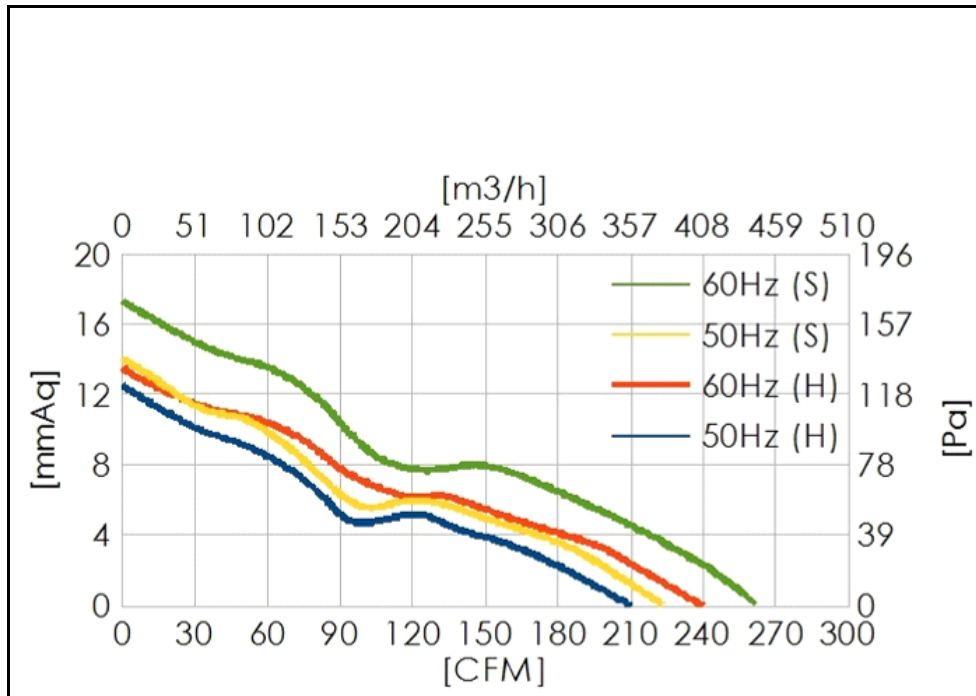
Mechanical Specifications

Fan Size	172 x 151 x 55
Frame Material	Aluminium
Impeller	Plastic Impeller

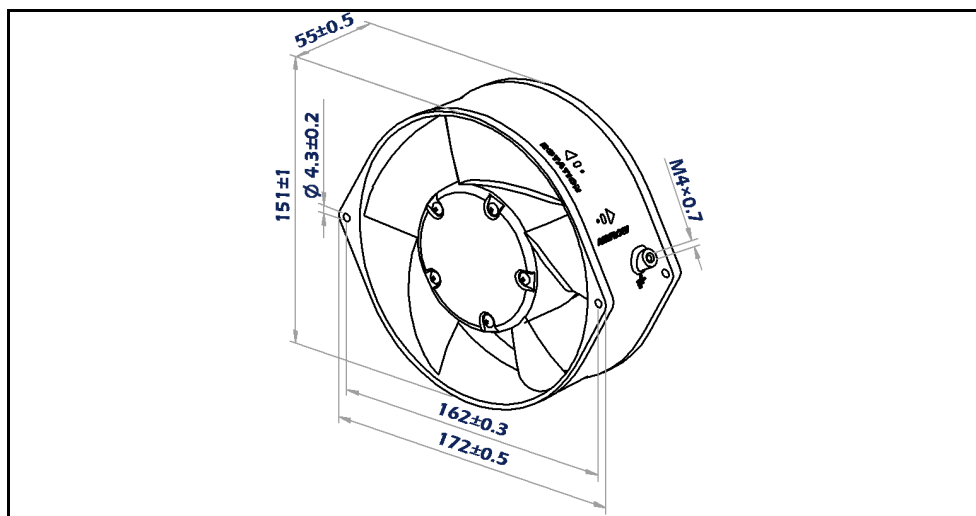
Approvals and Certificates

Approvals	CE	Y
	TUV	Y
	RoSH	Y
	UL	Y

Airflow Graph



Dimensional Drawing (mm)



Similar Products

Product	Size	Impeller Material	Speed	Noise	Weight
HIG-A172CM115H12I54L	172 x 151 x 55	Steel (Metal) Impeller	2700/3100	53/59	840
HIG-A172CP115H12I54T	172 x 151 x 55	Plastic Impeller	2650/3050	53/59	820
HIG-A172CM115H12I54T	172 x 151 x 55				
HIG-A172CP115M12I54L	172 x 151 x 55				
HIG-A172CM115M12I54L	172 x 151 x 55				

Finger Guard Accessory's

Product	Guard Type	Fan Size	Weight (g)
N/A			
N/A			
N/A			

Additional Information

Box Quantity:	12
Weight Per Box:	9.84 KG
Size Per Box:	41×39×21

Highland Axial AC Fan

Part Number: **HIG-A172CP230H13I54L**

Features:

Size (mm): 172 x 151 x 51

Maintenance-Free Ball Bearings

Aluminum Housing, Plastic Impeller

Insulation Class B, IP54

Thermally Protected (Auto Restart)

230 VAC



Product Description

Highland 172mm x 151mm Side Cut 51mm Thick Axial Fan with Plastic Impeller, 230 VAC, High Speed, AC Induction Capacitor Motor, IP54 Protection with Lead Wires

General Specification

Fan Type	Axial
Operating Voltage	230 VAC
Hz	50/60
Speed (RPM)	2650/3050
Airflow - CFM	210/250
Airflow - cubic m ³ /hr	356.792/424.753
Airflow - m ³ /s	0.099/0.118
Pressure - mmH ² O	14/15.5
Pressure - inchH ² O	0.551/0.61
Pressure - Pa	137.293/152.003
Noise dB	53/59
Operating Temperature	-20°C to +70°C
Expected Life (H)	70K @ 25 / 45K @ 40 Degrees Centigrade
Weight (g)	920
Tariff Code	8414.59.6590

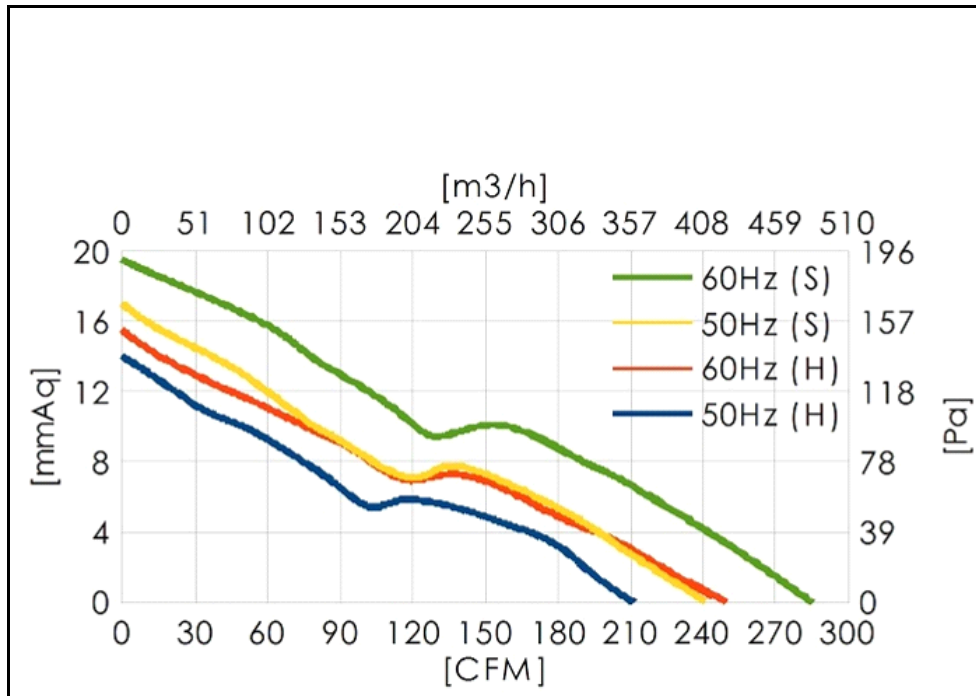
Mechanical Specifications

Fan Size	172 x 151 x 51
Frame Material	Aluminium
Impeller	Plastic Impeller

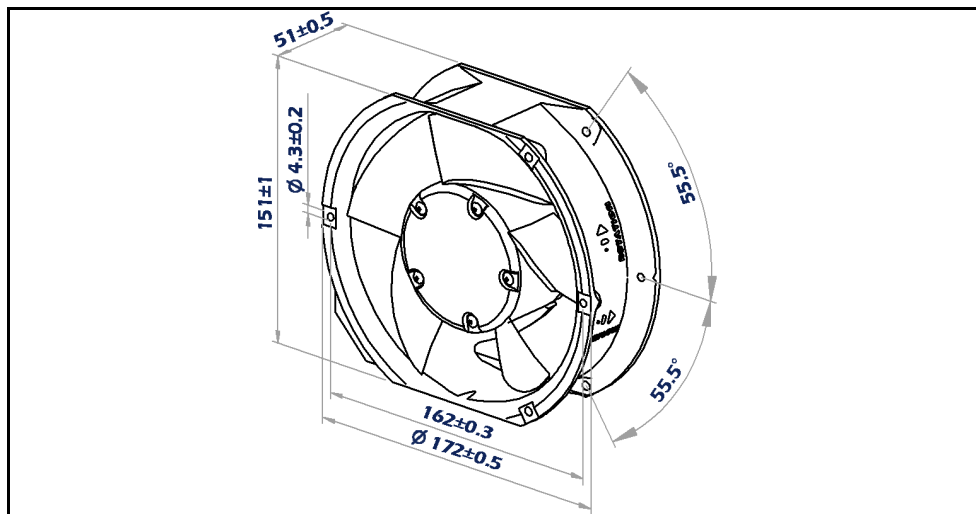
Approvals and Certificates

Approvals	CE	Y
	TUV	Y
	RoSH	Y
	UL	Y

Airflow Graph



Dimensional Drawing (mm)



Similar Products

Product	Size	Impeller Material	Speed	Noise	Weight
HIG-A172CP230S13I54T	172 x 151 x 51	Plastic Impeller	2800/3300	55/61	1050
HIG-A172CM230S13I54T	172 x 151 x 51	Steel (Metal) Impeller	2800/3300	55/61	1080
HIG-A172CP230U13I54L	172 x 151 x 51				
HIG-A172CP230U13I54T	172 x 151 x 51				
HIG-A172CMDUAS13I54L	172 x 151 x 51				

Finger Guard Accessory's

Product	Guard Type	Fan Size	Weight (g)
N/A			
N/A			
N/A			

Additional Information

Box Quantity:	12
Weight Per Box:	11.04 KG
Size Per Box:	41×39×21

Highland Axial AC Fan

Part Number: HIG-A172CP230H13I54T

Features:

Size (mm): 172 x 151 x 51

Maintenance-Free Ball Bearings

Aluminum Housing, Plastic Impeller

Insulation Class B, IP54

Thermally Protected (Auto Restart)

230 VAC



Product Description

Highland 172mm x 151mm Side Cut 51mm Thick Axial Fan with Plastic Impeller, 230 VAC, High Speed, AC Induction Capacitor Motor, IP54 Protection with Terminals

General Specification

Fan Type	Axial
Operating Voltage	230 VAC
Hz	50/60
Speed (RPM)	2650/3050
Airflow - CFM	210/250
Airflow - cubic m ³ /hr	356.792/424.753
Airflow - m ³ /s	0.099/0.118
Pressure - mmH ² O	14/15.5
Pressure - inchH ² O	0.551/0.61
Pressure - Pa	137.293/152.003
Noise dB	53/59
Operating Temperature	-20°C to +70°C
Expected Life (H)	70K @ 25 / 45K @ 40 Degrees Centigrade
Weight (g)	920
Tariff Code	8414.59.6590

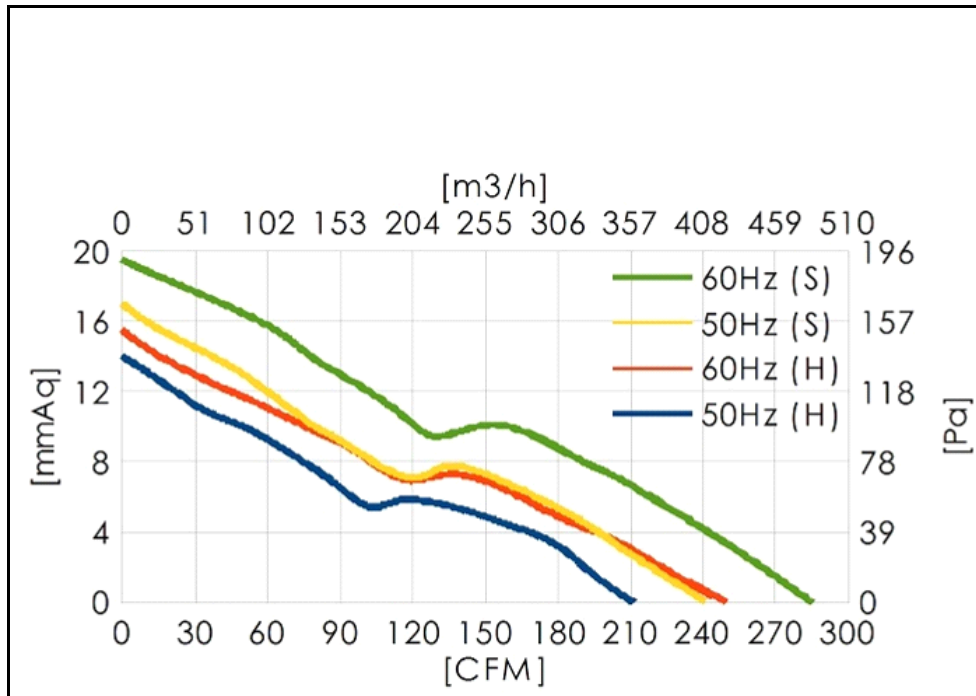
Mechanical Specifications

Fan Size	172 x 151 x 51
Frame Material	Aluminium
Impeller	Plastic Impeller

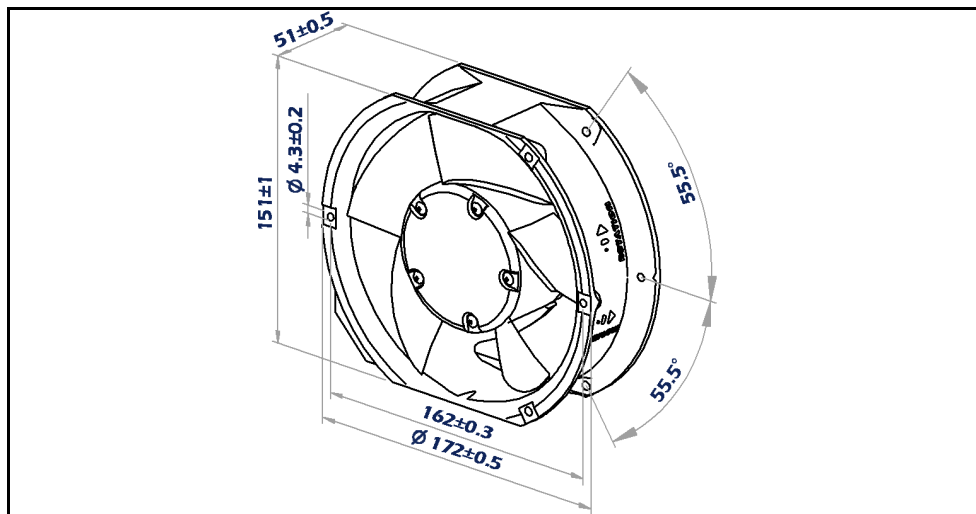
Approvals and Certificates

Approvals	CE	Y
	TUV	Y
	RoSH	Y
	UL	Y

Airflow Graph



Dimensional Drawing (mm)



Similar Products

Product	Size	Impeller Material	Speed	Noise	Weight
HIG-A172CP230S13I54T	172 x 151 x 51	Plastic Impeller	2800/3300	55/61	1050
HIG-A172CM230S13I54T	172 x 151 x 51	Steel (Metal) Impeller	2800/3300	55/61	1080
HIG-A172CP230U13I54L	172 x 151 x 51				
HIG-A172CP230U13I54T	172 x 151 x 51				
HIG-A172CMDUAS13I54L	172 x 151 x 51				

Finger Guard Accessory's

Product	Guard Type	Fan Size	Weight (g)
N/A			
N/A			
N/A			

Additional Information

Box Quantity:	12
Weight Per Box:	11.04 KG
Size Per Box:	41×39×21

Highland Axial AC Fan

Part Number: HIG-A172CP230M12I54L

Features:

Size (mm): 172 x 151 x 55

Maintenance-Free Ball Bearings

Aluminum Housing, Plastic Impeller

Insulation Class B, IP54

Thermally Protected (Auto Restart)

230 VAC



Product Description

Highland 172mm x 151mm Side Cut 55mm Thick Axial Fan with Plastic Impeller, 230 VAC, Medium Speed, AC Induction Capacitor Motor, IP54 Protection with Lead Wires

General Specification

Fan Type	Axial
Operating Voltage	230 VAC
Hz	50/60
Speed (RPM)	2400/2350
Airflow - CFM	174/174
Airflow - cubic m ³ /hr	295.628/295.628
Airflow - m ³ /s	0.082/0.082
Pressure - mmH ² O	6.6/5.2
Pressure - inchH ² O	0.26/0.205
Pressure - Pa	64.724/50.995
Noise dB	51/51
Operating Temperature	-20°C to +70°C
Expected Life (H)	70K @ 25 / 45K @ 40 Degrees Centigrade
Weight (g)	820
Tariff Code	8414.59.6590

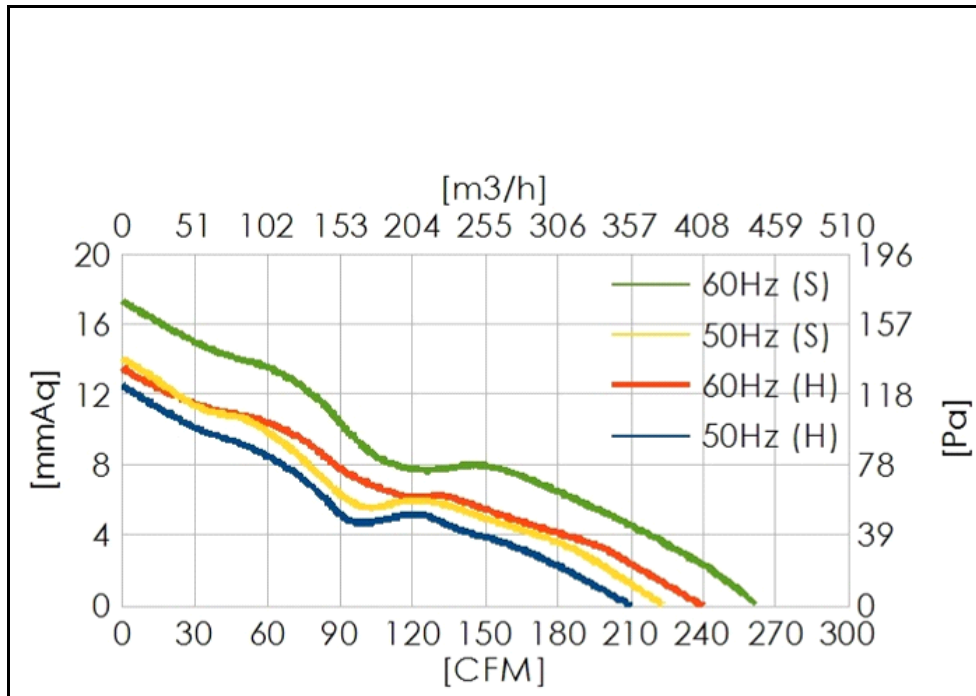
Mechanical Specifications

Fan Size	172 x 151 x 55
Frame Material	Aluminium
Impeller	Plastic Impeller

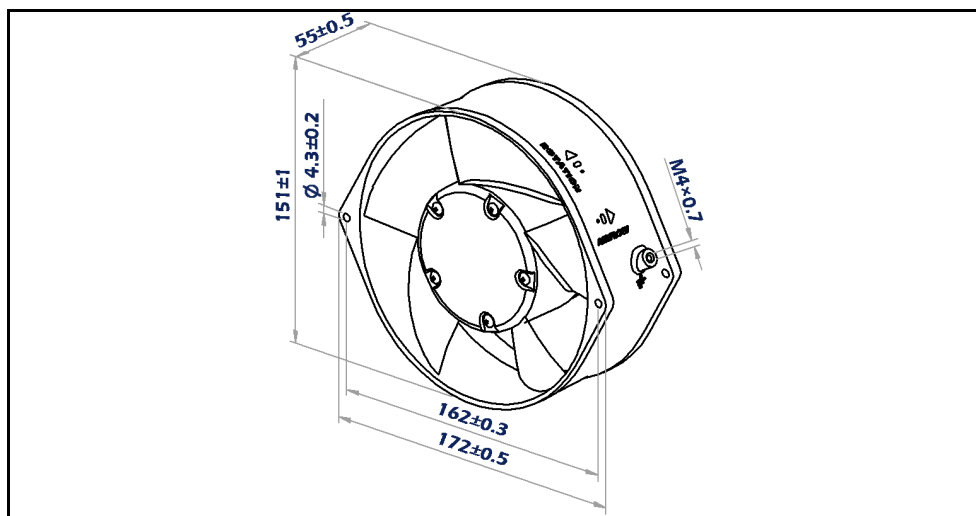
Approvals and Certificates

Approvals	CE	Y
	TUV	Y
	RoSH	Y
	UL	Y

Airflow Graph



Dimensional Drawing (mm)



Similar Products

Product	Size	Impeller Material	Speed	Noise	Weight
HIG-A172CM115H12I54L	172 x 151 x 55	Steel (Metal) Impeller	2700/3100	53/59	840
HIG-A172CP115H12I54T	172 x 151 x 55	Plastic Impeller	2650/3050	53/59	820
HIG-A172CM115H12I54T	172 x 151 x 55				
HIG-A172CP115M12I54L	172 x 151 x 55				
HIG-A172CM115M12I54L	172 x 151 x 55				

Finger Guard Accessory's

Product	Guard Type	Fan Size	Weight (g)
N/A			
N/A			
N/A			

Additional Information

Box Quantity:	12
Weight Per Box:	9.84 KG
Size Per Box:	41×39×21

Highland Axial AC Fan

Part Number: **HIG-A172CP230S12I54L**

Features:

Size (mm): 172 x 151 x 55

Maintenance-Free Ball Bearings

Aluminum Housing, Plastic Impeller

Insulation Class B, IP54

Thermally Protected (Auto Restart)

230 VAC



Product Description

Highland 172mm x 151mm Side Cut 55mm Thick Axial Fan with Plastic Impeller, 230 VAC, Super Speed, AC Induction Capacitor Motor, IP54 Protection with Lead Wires

General Specification

Fan Type	Axial
Operating Voltage	230 VAC
Hz	50/60
Speed (RPM)	2800/3300
Airflow - CFM	230/270
Airflow - cubic m ³ /hr	390.772/458.733
Airflow - m ³ /s	0.109/0.127
Pressure - mmH ² O	16.5/20.0
Pressure - inchH ² O	0.65/0.787
Pressure - Pa	161.81/196.133
Noise dB	55/61
Operating Temperature	-20°C to +70°C
Expected Life (H)	70K @ 25 / 45K @ 40 Degrees Centigrade
Weight (g)	950
Tariff Code	8414.59.6590

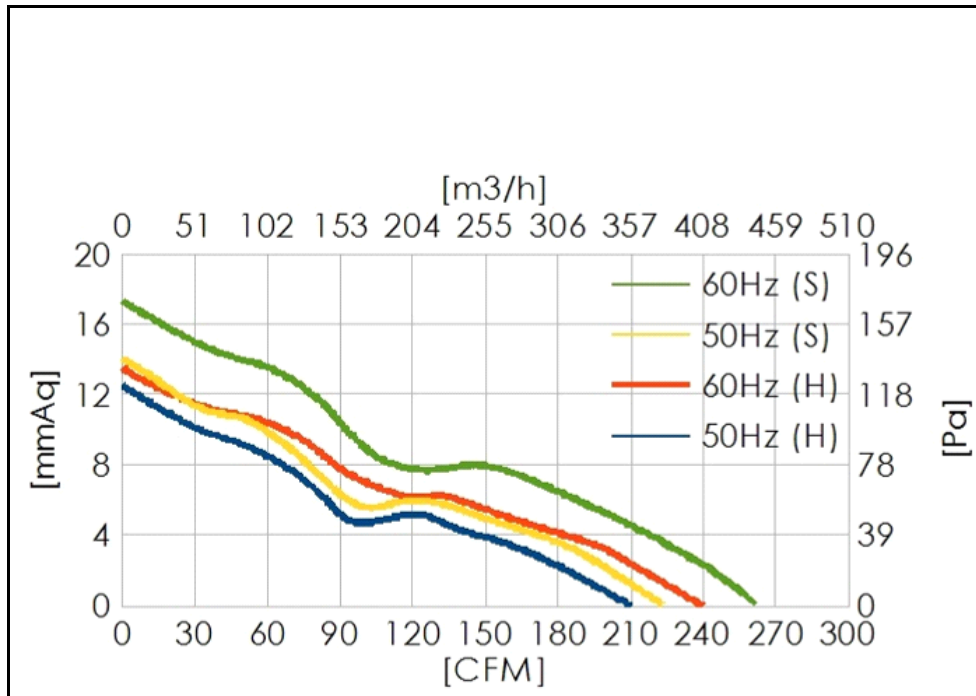
Mechanical Specifications

Fan Size	172 x 151 x 55
Frame Material	Aluminium
Impeller	Plastic Impeller

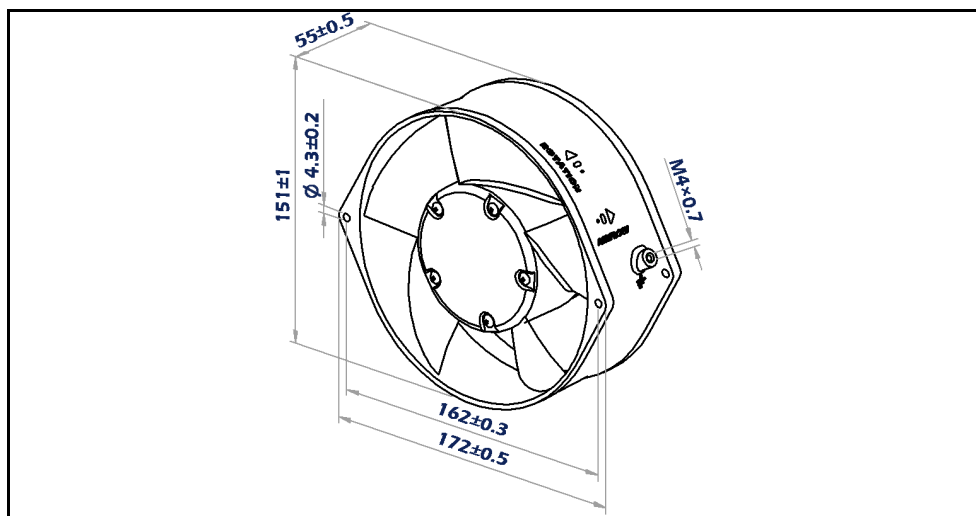
Approvals and Certificates

Approvals	CE	Y
	TUV	Y
	RoSH	Y
	UL	Y

Airflow Graph



Dimensional Drawing (mm)



Similar Products

Product	Size	Impeller Material	Speed	Noise	Weight
HIG-A172CM115H12I54L	172 x 151 x 55	Steel (Metal) Impeller	2700/3100	53/59	840
HIG-A172CP115H12I54T	172 x 151 x 55	Plastic Impeller	2650/3050	53/59	820
HIG-A172CM115H12I54T	172 x 151 x 55				
HIG-A172CP115M12I54L	172 x 151 x 55				
HIG-A172CM115M12I54L	172 x 151 x 55				

Finger Guard Accessory's

Product	Guard Type	Fan Size	Weight (g)
N/A			
N/A			
N/A			

Additional Information

Box Quantity:	12
Weight Per Box:	11.4 KG
Size Per Box:	41×39×21

Highland Axial AC Fan

Part Number: **HIG-A172CP230S12I54T**

Features:

Size (mm): 172 x 151 x 55

Maintenance-Free Ball Bearings

Aluminum Housing, Plastic Impeller

Insulation Class B, IP54

Thermally Protected (Auto Restart)

230 VAC



Product Description

Highland 172mm x 151mm Side Cut 55mm Thick Axial Fan with Plastic Impeller, 230 VAC, Super Speed, AC Induction Capacitor Motor, IP54 Protection with Terminals

General Specification

Fan Type	Axial
Operating Voltage	230 VAC
Hz	50/60
Speed (RPM)	2800/3300
Airflow - CFM	230/270
Airflow - cubic m ³ /hr	390.772/458.733
Airflow - m ³ /s	0.109/0.127
Pressure - mmH ² O	16.5/20.0
Pressure - inchH ² O	0.65/0.787
Pressure - Pa	161.81/196.133
Noise dB	55/61
Operating Temperature	-20°C to +70°C
Expected Life (H)	70K @ 25 / 45K @ 40 Degrees Centigrade
Weight (g)	950
Tariff Code	8414.59.6590

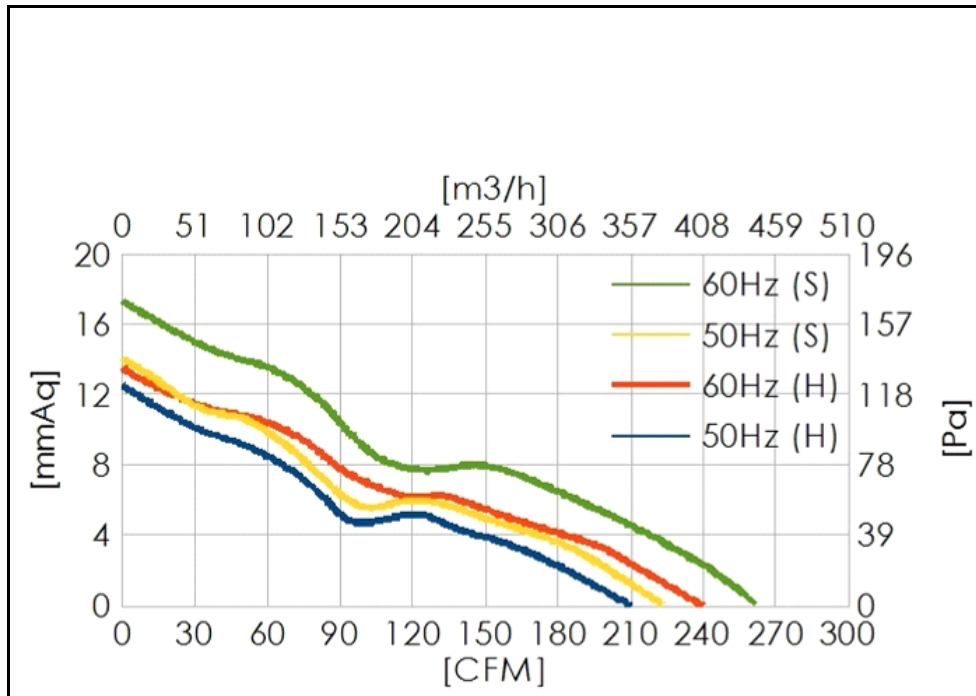
Mechanical Specifications

Fan Size	172 x 151 x 55
Frame Material	Aluminium
Impeller	Plastic Impeller

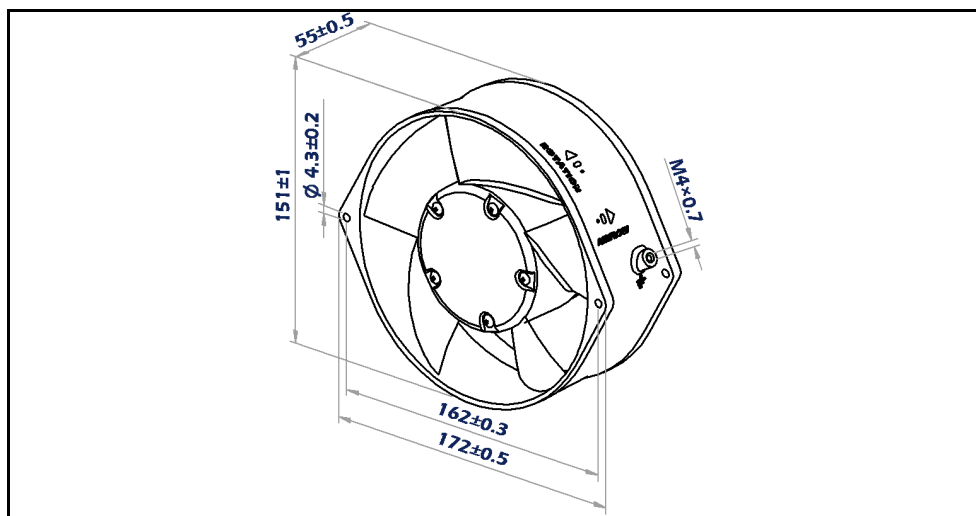
Approvals and Certificates

Approvals	CE	Y
	TUV	Y
	RoSH	Y
	UL	Y

Airflow Graph



Dimensional Drawing (mm)



Similar Products

Product	Size	Impeller Material	Speed	Noise	Weight
HIG-A172CM115H12I54L	172 x 151 x 55	Steel (Metal) Impeller	2700/3100	53/59	840
HIG-A172CP115H12I54T	172 x 151 x 55	Plastic Impeller	2650/3050	53/59	820
HIG-A172CM115H12I54T	172 x 151 x 55				
HIG-A172CP115M12I54L	172 x 151 x 55				
HIG-A172CM115M12I54L	172 x 151 x 55				

Finger Guard Accessory's

Product	Guard Type	Fan Size	Weight (g)
N/A			
N/A			
N/A			

Additional Information

Box Quantity:	12
Weight Per Box:	11.4 KG
Size Per Box:	41×39×21

Highland Axial AC Fan

Part Number: **HIG-A172CP230S13I54L**

Features:

Size (mm): 172 x 151 x 51

Maintenance-Free Ball Bearings

Aluminum Housing, Plastic Impeller

Insulation Class B, IP54

Thermally Protected (Auto Restart)

230 VAC



Product Description

Highland 172mm x 151mm Side Cut 51mm Thick Axial Fan with Plastic Impeller, 230 VAC, Super Speed, AC Induction Capacitor Motor, IP54 Protection with Lead Wires

General Specification

Fan Type	Axial
Operating Voltage	230 VAC
Hz	50/60
Speed (RPM)	2800/3300
Airflow - CFM	230/270
Airflow - cubic m ³ /hr	390.772/458.733
Airflow - m ³ /s	0.109/0.127
Pressure - mmH ² O	16.5/20.0
Pressure - inchH ² O	0.65/0.787
Pressure - Pa	161.81/196.133
Noise dB	55/61
Operating Temperature	-20°C to +70°C
Expected Life (H)	70K @ 25 / 45K @ 40 Degrees Centigrade
Weight (g)	1050
Tariff Code	8414.59.6590

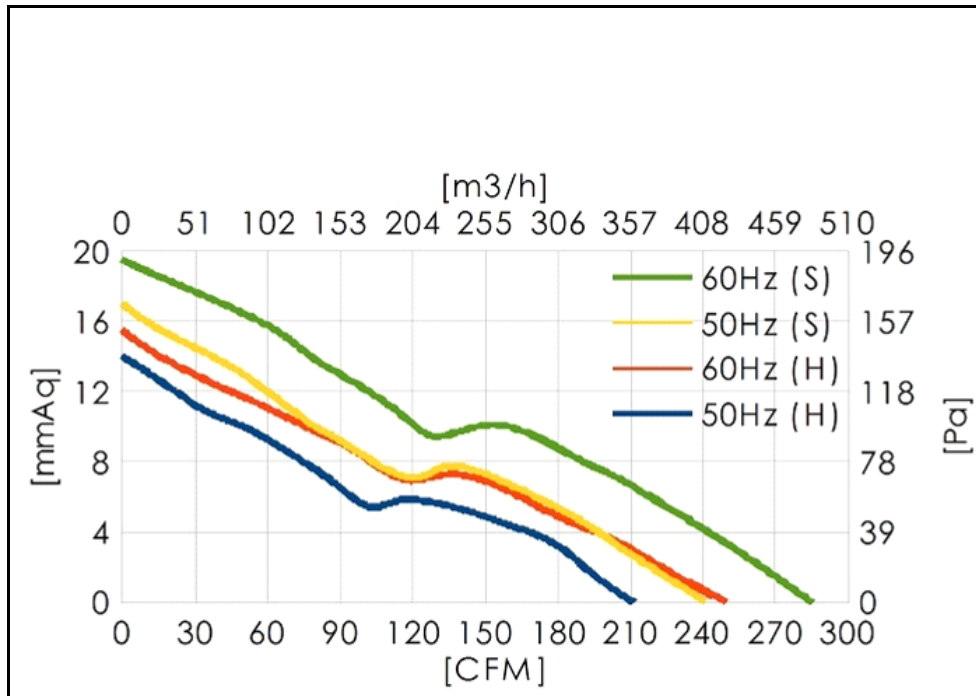
Mechanical Specifications

Fan Size	172 x 151 x 51
Frame Material	Aluminium
Impeller	Plastic Impeller

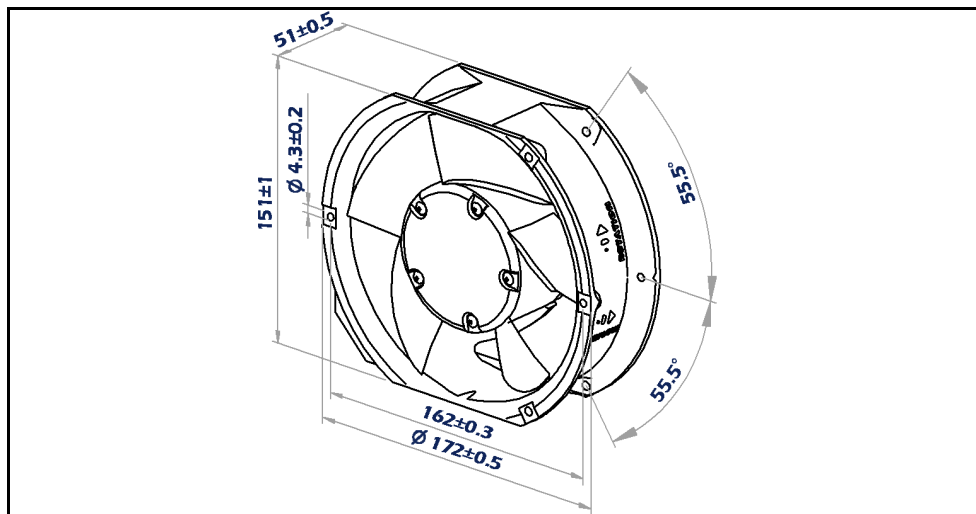
Approvals and Certificates

Approvals	CE	Y
	TUV	Y
	RoSH	Y
	UL	Y

Airflow Graph



Dimensional Drawing (mm)



Similar Products

Product	Size	Impeller Material	Speed	Noise	Weight
HIG-A172CP230S13I54T	172 x 151 x 51	Plastic Impeller	2800/3300	55/61	1050
HIG-A172CM230S13I54T	172 x 151 x 51	Steel (Metal) Impeller	2800/3300	55/61	1080
HIG-A172CP230U13I54L	172 x 151 x 51				
HIG-A172CP230U13I54T	172 x 151 x 51				
HIG-A172CMDUAS13I54L	172 x 151 x 51				

Finger Guard Accessory's

Product	Guard Type	Fan Size	Weight (g)
N/A			
N/A			
N/A			

Additional Information

Box Quantity:	12
Weight Per Box:	12.6 KG
Size Per Box:	41×39×21

Highland Axial AC Fan

Part Number: **HIG-A172CP230S13I54T**

Features:

Size (mm): 172 x 151 x 51

Maintenance-Free Ball Bearings

Aluminum Housing, Plastic Impeller

Insulation Class B, IP54

Thermally Protected (Auto Restart)

230 VAC



Product Description

Highland 172mm x 151mm Side Cut 51mm Thick Axial Fan with Plastic Impeller, 230 VAC, Super Speed, AC Induction Capacitor Motor, IP54 Protection with Terminals

General Specification

Fan Type	Axial
Operating Voltage	230 VAC
Hz	50/60
Speed (RPM)	2800/3300
Airflow - CFM	230/270
Airflow - cubic m ³ /hr	390.772/458.733
Airflow - m ³ /s	0.109/0.127
Pressure - mmH ² O	16.5/20.0
Pressure - inchH ² O	0.65/0.787
Pressure - Pa	161.81/196.133
Noise dB	55/61
Operating Temperature	-20°C to +70°C
Expected Life (H)	70K @ 25 / 45K @ 40 Degrees Centigrade
Weight (g)	1050
Tariff Code	8414.59.6590

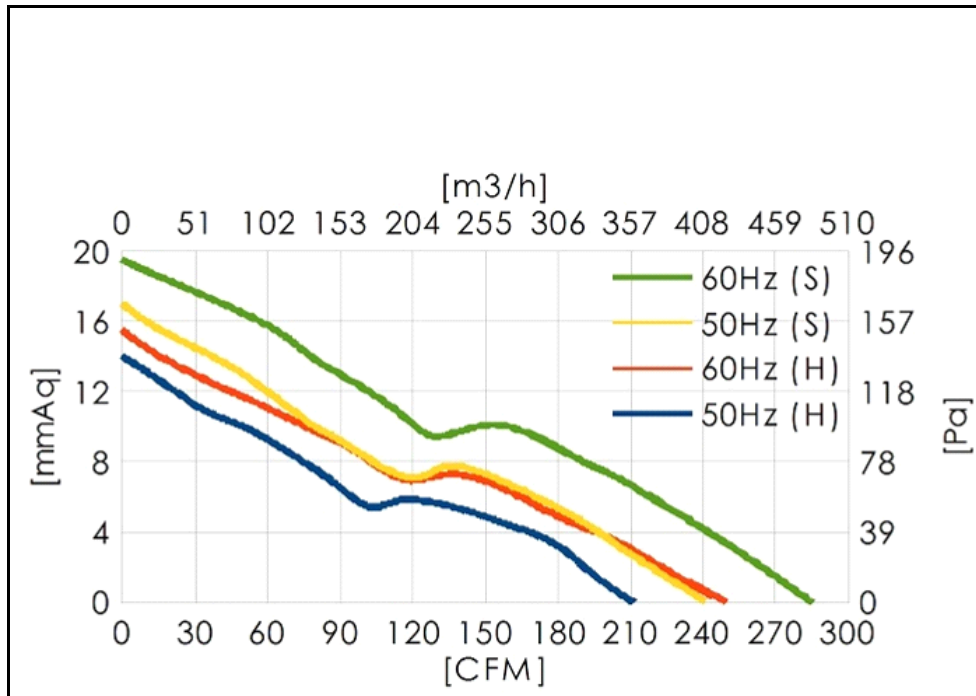
Mechanical Specifications

Fan Size	172 x 151 x 51
Frame Material	Aluminium
Impeller	Plastic Impeller

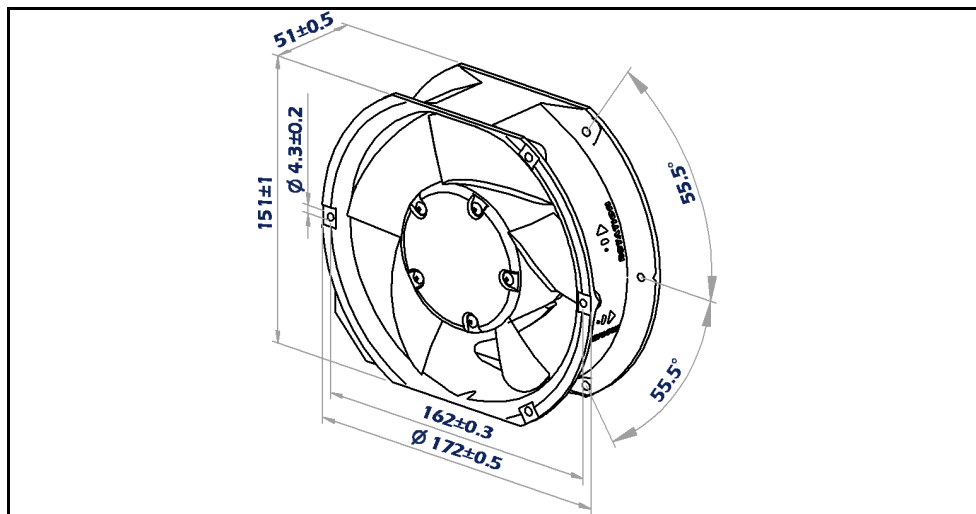
Approvals and Certificates

Approvals	CE	Y
	TUV	Y
	RoSH	Y
	UL	Y

Airflow Graph



Dimensional Drawing (mm)



Similar Products

Product	Size	Impeller Material	Speed	Noise	Weight
HIG-A172CM230L13I54T	172 x 151 x 51	Steel (Metal) Impeller	1850/1750	47/45	940
HIG-A172CM230M13I54L	172 x 151 x 51	Steel (Metal) Impeller	2400/2350	51/51	940
HIG-A172CM230M13I54T	172 x 151 x 51				
HIG-A172CP230S13I54L	172 x 151 x 51				
HIG-A172CM230S13I54L	172 x 151 x 51				

Finger Guard Accessory's

Product	Guard Type	Fan Size	Weight (g)
N/A			
N/A			
N/A			

Additional Information

Box Quantity:	12
Weight Per Box:	12.6 KG
Size Per Box:	41×39×21

Highland Axial AC Fan

Part Number: HIG-A172CP230U12I54L

Features:

Size (mm): 172 x 151 x 55

Maintenance-Free Ball Bearings

Aluminum Housing, Plastic Impeller

Insulation Class B, IP54

Thermally Protected (Auto Restart)

230 VAC



Product Description

Highland 172mm x 151mm Side Cut 55mm Thick Axial Fan with Plastic Impeller, 230 VAC, Ultra Speed, AC Induction Capacitor Motor, IP54 Protection with Lead Wires

General Specification

Fan Type	Axial
Operating Voltage	230 VAC
Hz	50/60
Speed (RPM)	2800/3200
Airflow - CFM	255/300
Airflow - cubic m ³ /hr	433.248/509.703
Airflow - m ³ /s	0.12/0.142
Pressure - mmH ² O	15.2/19.6
Pressure - inchH ² O	0.598/0.772
Pressure - Pa	149.061/192.211
Noise dB	55/61
Operating Temperature	-20°C to +70°C
Expected Life (H)	70K @ 25 / 45K @ 40 Degrees Centigrade
Weight (g)	950
Tariff Code	8414.59.6590

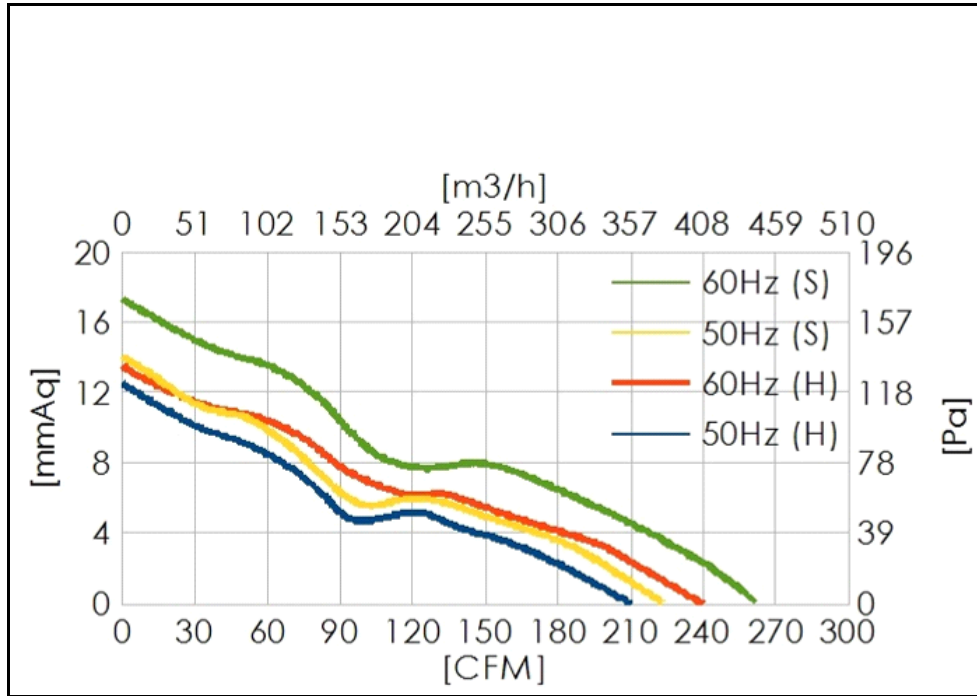
Mechanical Specifications

Fan Size	172 x 151 x 55
Frame Material	Aluminium
Impeller	Plastic Impeller

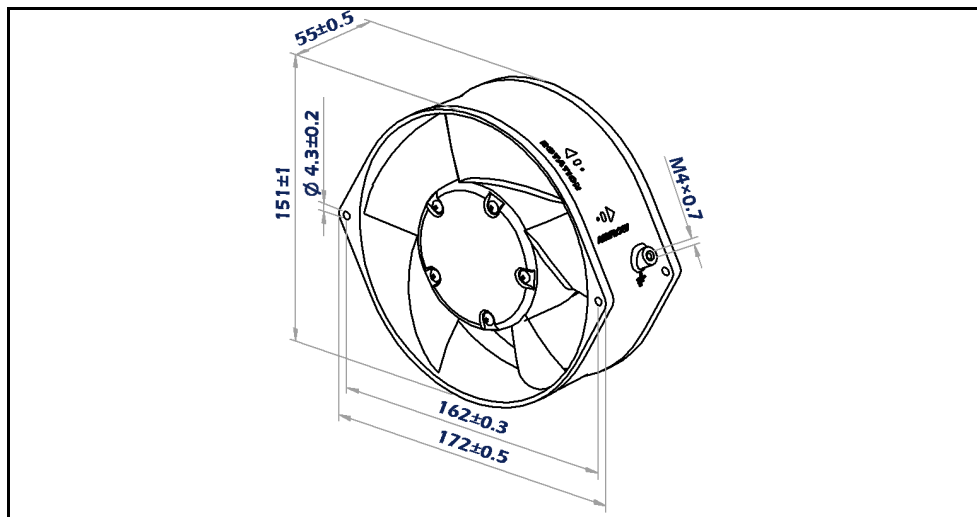
Approvals and Certificates

Approvals	CE	Y
	TUV	Y
	RoSH	Y
	UL	Y

Airflow Graph



Dimensional Drawing (mm)



Similar Products

Product	Size	Impeller Material	Speed	Noise	Weight
HIG-A172CM115H12I54L	172 x 151 x 55	Steel (Metal) Impeller	2700/3100	53/59	840
HIG-A172CP115H12I54T	172 x 151 x 55	Plastic Impeller	2650/3050	53/59	820
HIG-A172CM115H12I54T	172 x 151 x 55				
HIG-A172CP115M12I54L	172 x 151 x 55				
HIG-A172CM115M12I54L	172 x 151 x 55				

Finger Guard Accessory's

Product	Guard Type	Fan Size	Weight (g)
N/A			
N/A			
N/A			

Additional Information

Box Quantity:	12
Weight Per Box:	11.4 KG
Size Per Box:	41×39×21

Highland Axial AC Fan

Part Number: **HIG-A172CP230U12I54T**

Features:

Size (mm): 172 x 151 x 55

Maintenance-Free Ball Bearings

Aluminum Housing, Plastic Impeller

Insulation Class B, IP54

Thermally Protected (Auto Restart)

230 VAC



Product Description

Highland 172mm x 151mm Side Cut 55mm Thick Axial Fan with Plastic Impeller, 230 VAC, Ultra Speed, AC Induction Capacitor Motor, IP54 Protection with Terminals

General Specification

Fan Type	Axial
Operating Voltage	230 VAC
Hz	50/60
Speed (RPM)	2800/3200
Airflow - CFM	255/300
Airflow - cubic m ³ /hr	433.248/509.703
Airflow - m ³ /s	0.12/0.142
Pressure - mmH ² O	15.2/19.6
Pressure - inchH ² O	0.598/0.772
Pressure - Pa	149.061/192.211
Noise dB	55/61
Operating Temperature	-20°C to +70°C
Expected Life (H)	70K @ 25 / 45K @ 40 Degrees Centigrade
Weight (g)	950
Tariff Code	8414.59.6590

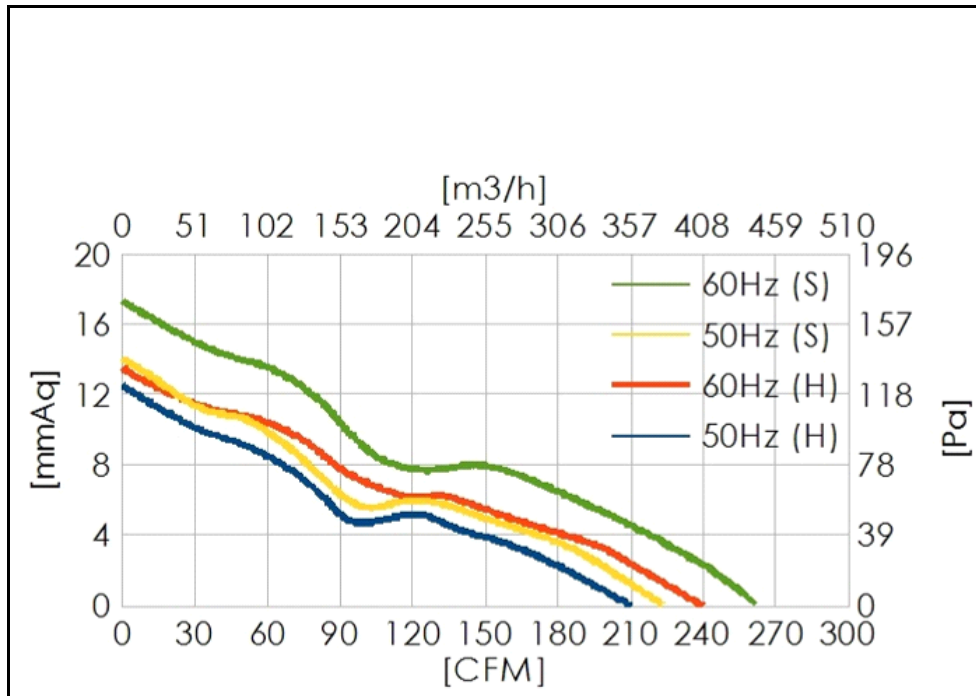
Mechanical Specifications

Fan Size	172 x 151 x 55
Frame Material	Aluminium
Impeller	Plastic Impeller

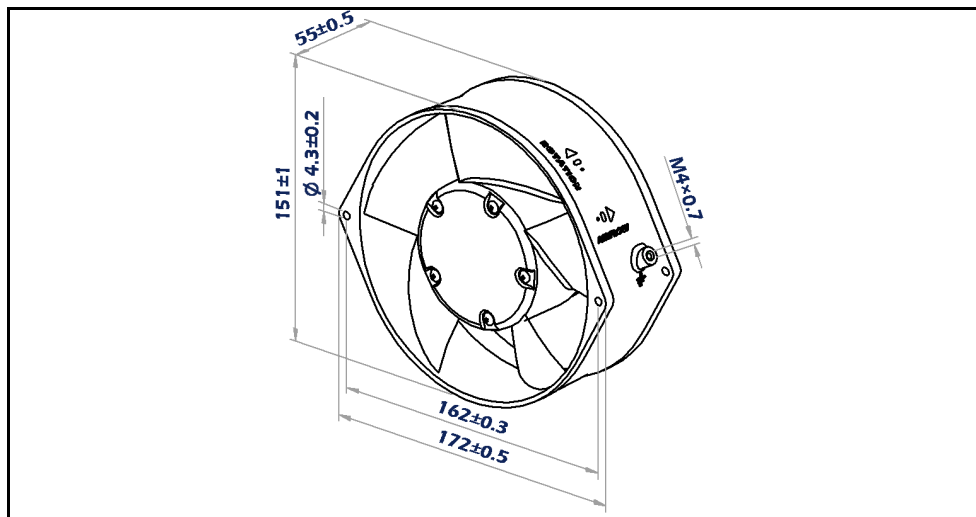
Approvals and Certificates

Approvals	CE	Y
	TUV	Y
	RoSH	Y
	UL	Y

Airflow Graph



Dimensional Drawing (mm)



Similar Products

Product	Size	Impeller Material	Speed	Noise	Weight
HIG-A172CM115H12I54L	172 x 151 x 55	Steel (Metal) Impeller	2700/3100	53/59	840
HIG-A172CP115H12I54T	172 x 151 x 55	Plastic Impeller	2650/3050	53/59	820
HIG-A172CM115H12I54T	172 x 151 x 55				
HIG-A172CP115M12I54L	172 x 151 x 55				
HIG-A172CM115M12I54L	172 x 151 x 55				

Finger Guard Accessory's

Product	Guard Type	Fan Size	Weight (g)
N/A			
N/A			
N/A			

Additional Information

Box Quantity:	12
Weight Per Box:	11.4 KG
Size Per Box:	41×39×21

Highland Axial AC Fan

Part Number: HIG-A172CP230U13I54L

Features:

Size (mm): 172 x 151 x 51

Maintenance-Free Ball Bearings

Aluminum Housing, Plastic Impeller

Insulation Class B, IP54

Thermally Protected (Auto Restart)

230 VAC



Product Description

Highland 172mm x 151mm Side Cut 51mm Thick Axial Fan with Plastic Impeller, 230 VAC, Ultra Speed, AC Induction Capacitor Motor, IP54 Protection with Lead Wires

General Specification

Fan Type	Axial
Operating Voltage	230 VAC
Hz	50/60
Speed (RPM)	2800/3200
Airflow - CFM	255/300
Airflow - cubic m ³ /hr	433.248/509.703
Airflow - m ³ /s	0.12/0.142
Pressure - mmH ² O	15.2/19.6
Pressure - inchH ² O	0.598/0.772
Pressure - Pa	149.061/192.211
Noise dB	55/61
Operating Temperature	-20°C to +70°C
Expected Life (H)	70K @ 25 / 45K @ 40 Degrees Centigrade
Weight (g)	1050
Tariff Code	8414.59.6590

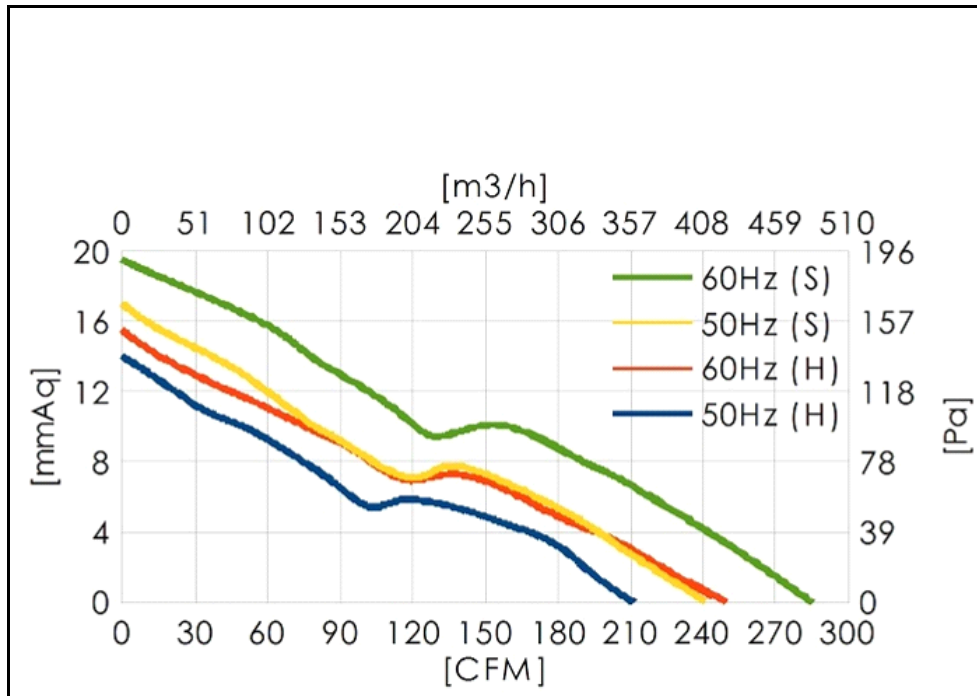
Mechanical Specifications

Fan Size	172 x 151 x 51
Frame Material	Aluminium
Impeller	Plastic Impeller

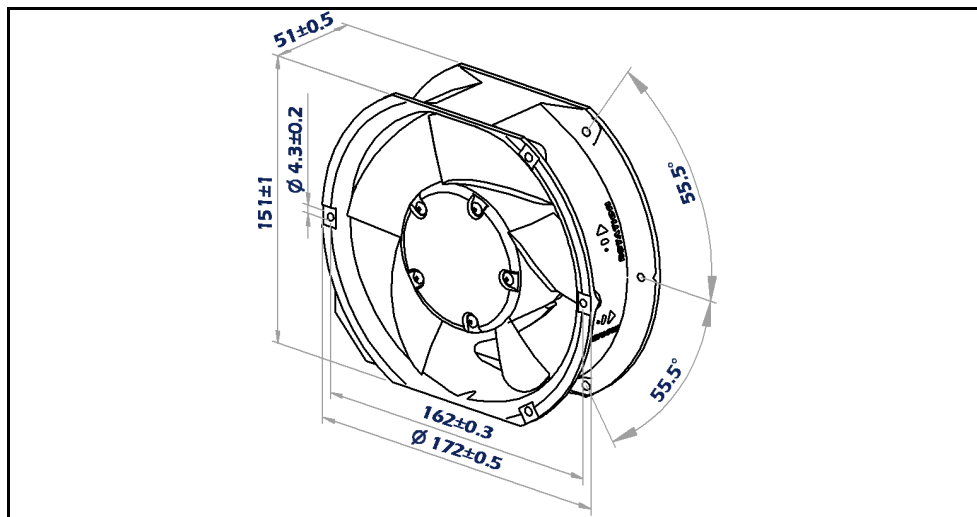
Approvals and Certificates

Approvals	CE	Y
	TUV	Y
	RoSH	Y
	UL	Y

Airflow Graph



Dimensional Drawing (mm)



Similar Products

Product	Size	Impeller Material	Speed	Noise	Weight
HIG-A172CM230L13I54T	172 x 151 x 51	Steel (Metal) Impeller	1850/1750	47/45	940
HIG-A172CM230M13I54L	172 x 151 x 51	Steel (Metal) Impeller	2400/2350	51/51	940
HIG-A172CM230M13I54T	172 x 151 x 51				
HIG-A172CP230S13I54L	172 x 151 x 51				
HIG-A172CM230S13I54L	172 x 151 x 51				

Finger Guard Accessory's

Product	Guard Type	Fan Size	Weight (g)
N/A			
N/A			
N/A			

Additional Information

Box Quantity:	12
Weight Per Box:	12.6 KG
Size Per Box:	41×39×21

Highland Axial AC Fan

Part Number: **HIG-A172CP230U13I54T**

Features:

Size (mm): 172 x 151 x 51

Maintenance-Free Ball Bearings

Aluminum Housing, Plastic Impeller

Insulation Class B, IP54

Thermally Protected (Auto Restart)

230 VAC



Product Description

Highland 172mm x 151mm Side Cut 51mm Thick Axial Fan with Plastic Impeller, 230 VAC, Ultra Speed, AC Induction Capacitor Motor, IP54 Protection with Terminals

General Specification

Fan Type	Axial
Operating Voltage	230 VAC
Hz	50/60
Speed (RPM)	2800/3200
Airflow - CFM	255/300
Airflow - cubic m ³ /hr	433.248/509.703
Airflow - m ³ /s	0.12/0.142
Pressure - mmH ² O	15.2/19.6
Pressure - inchH ² O	0.598/0.772
Pressure - Pa	149.061/192.211
Noise dB	55/61
Operating Temperature	-20°C to +70°C
Expected Life (H)	70K @ 25 / 45K @ 40 Degrees Centigrade
Weight (g)	1050
Tariff Code	8414.59.6590

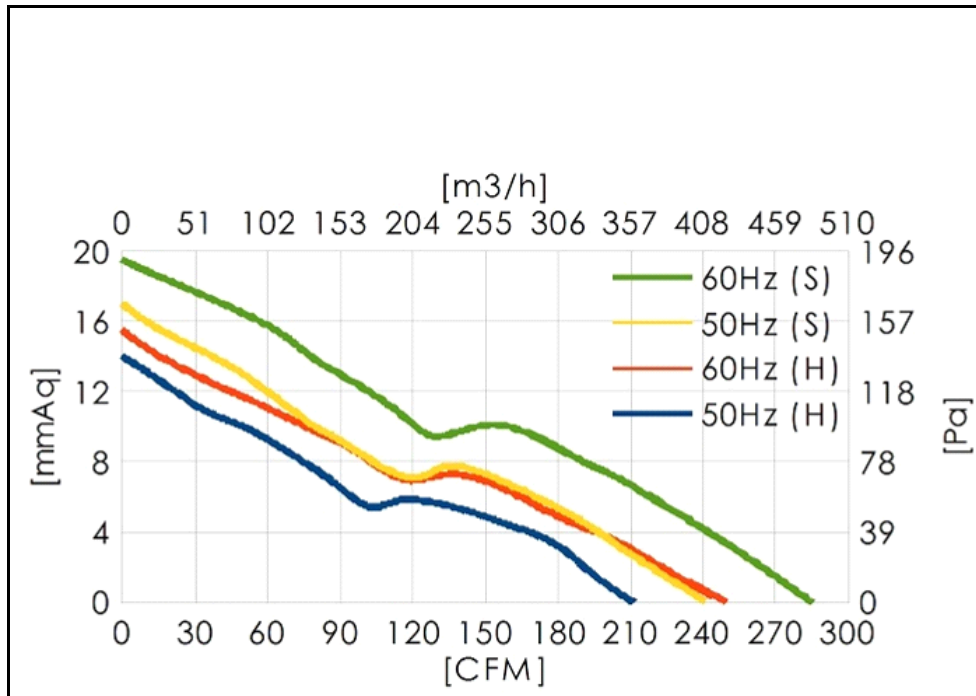
Mechanical Specifications

Fan Size	172 x 151 x 51
Frame Material	Aluminium
Impeller	Plastic Impeller

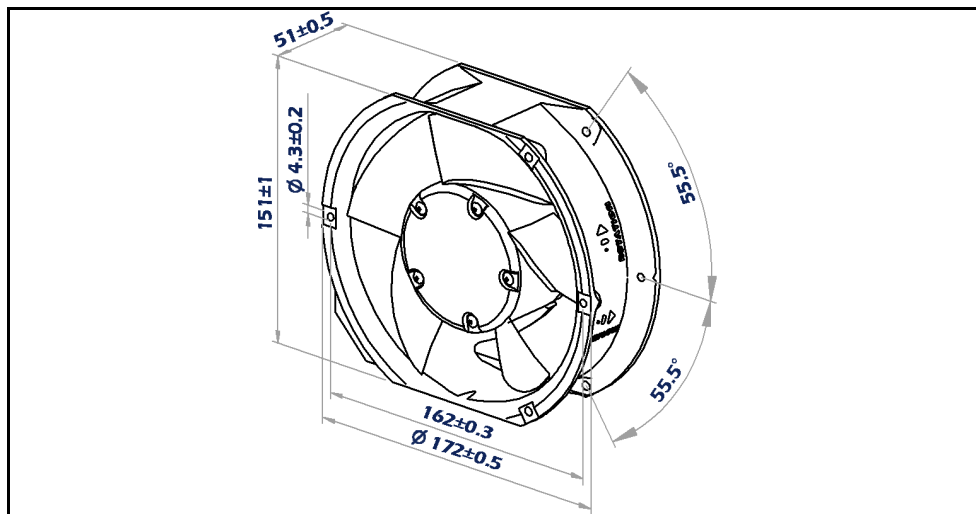
Approvals and Certificates

Approvals	CE	Y
	TUV	Y
	RoSH	Y
	UL	Y

Airflow Graph



Dimensional Drawing (mm)



Similar Products

Product	Size	Impeller Material	Speed	Noise	Weight
HIG-A172CM230L13I54T	172 x 151 x 51	Steel (Metal) Impeller	1850/1750	47/45	940
HIG-A172CM230M13I54L	172 x 151 x 51	Steel (Metal) Impeller	2400/2350	51/51	940
HIG-A172CM230M13I54T	172 x 151 x 51				
HIG-A172CP230S13I54L	172 x 151 x 51				
HIG-A172CM230S13I54L	172 x 151 x 51				

Finger Guard Accessory's

Product	Guard Type	Fan Size	Weight (g)
N/A			
N/A			
N/A			

Additional Information

Box Quantity:	12
Weight Per Box:	12.6 KG
Size Per Box:	41×39×21

Highland Axial AC Fan

Part Number: **HIG-A172RM115H13I54L**

Features:

Size (mm): 172Øx51

Maintenance-Free Ball Bearings

Aluminum Housing, Steel Impeller

Insulation Class B, IP54

Thermally Protected (Auto Restart)

115 VAC



Product Description

Highland 172mm x 151mm Round 51mm Thick Axial Fan with Steel (Metal) Impeller, 115 VAC, High Speed, AC Induction Capacitor Motor, IP54 Protection with Lead Wires

General Specification

Fan Type	Axial
Operating Voltage	115 VAC
Hz	50/60
Speed (RPM)	2700/3100
Airflow - CFM	210/250
Airflow - cubic m ³ /hr	356.792/424.753
Airflow - m ³ /s	0.099/0.118
Pressure - mmH ² O	14/15.5
Pressure - inchH ² O	0.551/0.61
Pressure - Pa	137.293/152.003
Noise dB	53/59
Operating Temperature	-20°C to +70°C
Expected Life (H)	70K @ 25 / 45K @ 40 Degrees Centigrade
Weight (g)	940
Tariff Code	8414.59.6590

Mechanical Specifications

Fan Size	172Øx51
Frame Material	Aluminium
Impeller	Steel (Metal) Impeller

Approvals and Certificates

Approvals	CE	Y
	TUV	Y
	RoSH	Y
	UL	Y

Similar Products

Product	Size	Impeller Material	Speed	Noise	Weight
HIG-A172RM115H13I54T	172Øx51	Steel (Metal) Impeller	2700/3100	53/59	940
HIG-A172RP115S13I54L	172Øx51	Plastic Impeller	2800/3300	55/61	1050
HIG-A172RM115S13I54L	172Øx51				
HIG-A172RP115S13I54T	172Øx51				
HIG-A172RM115S13I54T	172Øx51				

Finger Guard Accessory's

Product	Guard Type	Fan Size	Weight (g)
N/A			
N/A			
N/A			

Additional Information

Box Quantity:	12
Weight Per Box:	11.28 KG
Size Per Box:	41×39×21

Highland Axial AC Fan

Part Number: HIG-A172RM115H13I54T

Features:

Size (mm): 172Øx51

Maintenance-Free Ball Bearings

Aluminum Housing, Steel Impeller

Insulation Class B, IP54

Thermally Protected (Auto Restart)

115 VAC



Product Description

Highland 172mm x 151mm Round 51mm Thick Axial Fan with Steel (Metal) Impeller, 115 VAC, High Speed, AC Induction Capacitor Motor, IP54 Protection with Terminals

General Specification

Fan Type	Axial
Operating Voltage	115 VAC
Hz	50/60
Speed (RPM)	2700/3100
Airflow - CFM	210/250
Airflow - cubic m ³ /hr	356.792/424.753
Airflow - m ³ /s	0.099/0.118
Pressure - mmH ² O	14/15.5
Pressure - inchH ² O	0.551/0.61
Pressure - Pa	137.293/152.003
Noise dB	53/59
Operating Temperature	-20°C to +70°C
Expected Life (H)	70K @ 25 / 45K @ 40 Degrees Centigrade
Weight (g)	940
Tariff Code	8414.59.6590

Mechanical Specifications

Fan Size	172Øx51
Frame Material	Aluminium
Impeller	Steel (Metal) Impeller

Approvals and Certificates

Approvals	CE	Y
	TUV	Y
	RoSH	Y
	UL	Y

Similar Products

Product	Size	Impeller Material	Speed	Noise	Weight
HIG-A172RP115H13I54L	172Øx51	Plastic Impeller	2650/3050	53/59	920
HIG-A172RM115H13I54L	172Øx51	Steel (Metal) Impeller	2700/3100	53/59	940
HIG-A172RM115S13I54L	172Øx51				
HIG-A172RP115S13I54T	172Øx51				
HIG-A172RM115S13I54T	172Øx51				

Finger Guard Accessory's

Product	Guard Type	Fan Size	Weight (g)
N/A			
N/A			
N/A			

Additional Information

Box Quantity:	12
Weight Per Box:	11.28 KG
Size Per Box:	41×39×21

Highland Axial AC Fan

Part Number: **HIG-A172RM115S13I54L**

Features:

Size (mm): 172Øx51

Maintenance-Free Ball Bearings

Aluminum Housing, Steel Impeller

Insulation Class B, IP54

Thermally Protected (Auto Restart)

115 VAC



Product Description

Highland 172mm x 151mm Round 51mm Thick Axial Fan with Steel (Metal) Impeller, 115 VAC, Super Speed, AC Induction Capacitor Motor, IP54 Protection with Lead Wires

General Specification

Fan Type	Axial
Operating Voltage	115 VAC
Hz	50/60
Speed (RPM)	2800/3300
Airflow - CFM	230/270
Airflow - cubic m ³ /hr	390.772/458.733
Airflow - m ³ /s	0.109/0.127
Pressure - mmH ² O	16.5/20.0
Pressure - inchH ² O	0.65/0.787
Pressure - Pa	161.81/196.133
Noise dB	55/61
Operating Temperature	-20°C to +70°C
Expected Life (H)	70K @ 25 / 45K @ 40 Degrees Centigrade
Weight (g)	1080
Tariff Code	8414.59.6590

Mechanical Specifications

Fan Size	172Øx51
Frame Material	Aluminium
Impeller	Steel (Metal) Impeller

Approvals and Certificates

Approvals	CE	Y
	TUV	Y
	RoSH	Y
	UL	Y

Similar Products

Product	Size	Impeller Material	Speed	Noise	Weight
HIG-A172RP115H13I54L	172Øx51	Plastic Impeller	2650/3050	53/59	920
HIG-A172RM115H13I54L	172Øx51	Steel (Metal) Impeller	2700/3100	53/59	940
HIG-A172RM115H13I54T	172Øx51				
HIG-A172RP115S13I54L	172Øx51				
HIG-A172RM115S13I54T	172Øx51				

Finger Guard Accessory's

Product	Guard Type	Fan Size	Weight (g)
N/A			
N/A			
N/A			

Additional Information

Box Quantity:	12
Weight Per Box:	12.96 KG
Size Per Box:	41×39×21

Highland Axial AC Fan

Part Number: **HIG-A172RM115S13I54T**

Features:

Size (mm): 172Øx51

Maintenance-Free Ball Bearings

Aluminum Housing, Steel Impeller

Insulation Class B, IP54

Thermally Protected (Auto Restart)

115 VAC



Product Description

Highland 172mm x 151mm Round 51mm Thick Axial Fan with Steel (Metal) Impeller, 115 VAC, Super Speed, AC Induction Capacitor Motor, IP54 Protection with Terminals

General Specification

Fan Type	Axial
Operating Voltage	115 VAC
Hz	50/60
Speed (RPM)	2800/3300
Airflow - CFM	230/270
Airflow - cubic m ³ /hr	390.772/458.733
Airflow - m ³ /s	0.109/0.127
Pressure - mmH ² O	16.5/20.0
Pressure - inchH ² O	0.65/0.787
Pressure - Pa	161.81/196.133
Noise dB	55/61
Operating Temperature	-20°C to +70°C
Expected Life (H)	70K @ 25 / 45K @ 40 Degrees Centigrade
Weight (g)	1080
Tariff Code	8414.59.6590

Mechanical Specifications

Fan Size	172Øx51
Frame Material	Aluminium
Impeller	Steel (Metal) Impeller

Approvals and Certificates

Approvals	CE	Y
	TUV	Y
	RoSH	Y
	UL	Y

Similar Products

Product	Size	Impeller Material	Speed	Noise	Weight
HIG-A172RP115H13I54L	172Øx51	Plastic Impeller	2650/3050	53/59	920
HIG-A172RM115H13I54L	172Øx51	Steel (Metal) Impeller	2700/3100	53/59	940
HIG-A172RM115H13I54T	172Øx51				
HIG-A172RP115S13I54L	172Øx51				
HIG-A172RM115S13I54L	172Øx51				

Finger Guard Accessory's

Product	Guard Type	Fan Size	Weight (g)
N/A			
N/A			
N/A			

Additional Information

Box Quantity:	12
Weight Per Box:	12.96 KG
Size Per Box:	41×39×21

Highland Axial AC Fan

Part Number: HIG-A172RP115H13I54L

Features:

Size (mm): 172Øx51

Maintenance-Free Ball Bearings

Aluminum Housing, Plastic Impeller

Insulation Class B, IP54

Thermally Protected (Auto Restart)

115 VAC



Product Description

Highland 172mm x 151mm Round 51mm Thick Axial Fan with Plastic Impeller, 115 VAC, High Speed, AC Induction Capacitor Motor, IP54 Protection with Lead Wires

General Specification

Fan Type	Axial
Operating Voltage	115 VAC
Hz	50/60
Speed (RPM)	2650/3050
Airflow - CFM	210/250
Airflow - cubic m ³ /hr	356.792/424.753
Airflow - m ³ /s	0.099/0.118
Pressure - mmH ² O	14/15.5
Pressure - inchH ² O	0.551/0.61
Pressure - Pa	137.293/152.003
Noise dB	53/59
Operating Temperature	-20°C to +70°C
Expected Life (H)	70K @ 25 / 45K @ 40 Degrees Centigrade
Weight (g)	920
Tariff Code	8414.59.6590

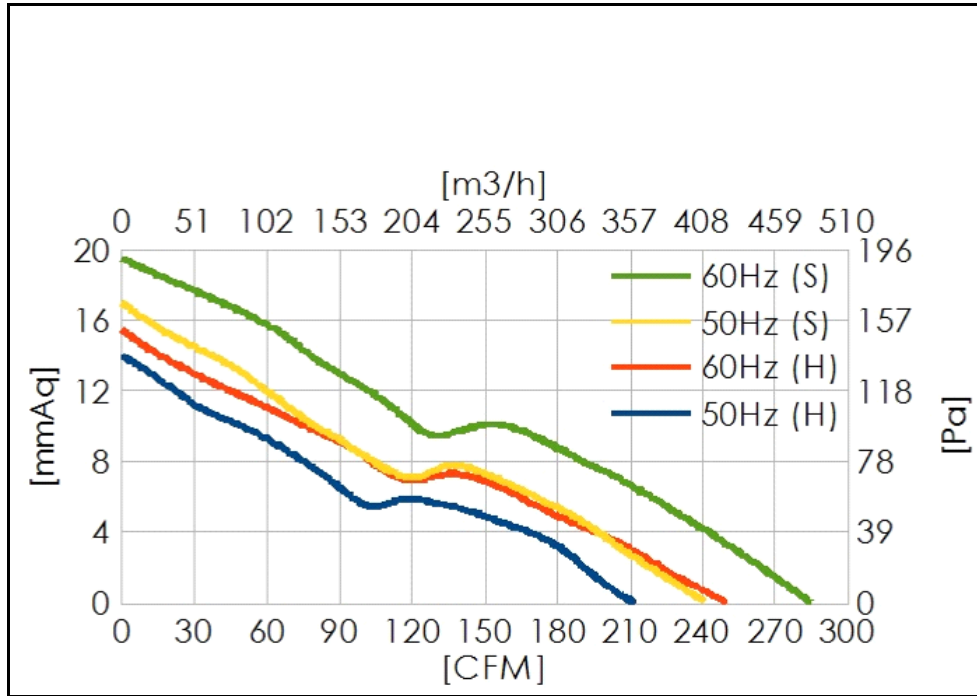
Mechanical Specifications

Fan Size	172Øx51
Frame Material	Aluminium
Impeller	Plastic Impeller

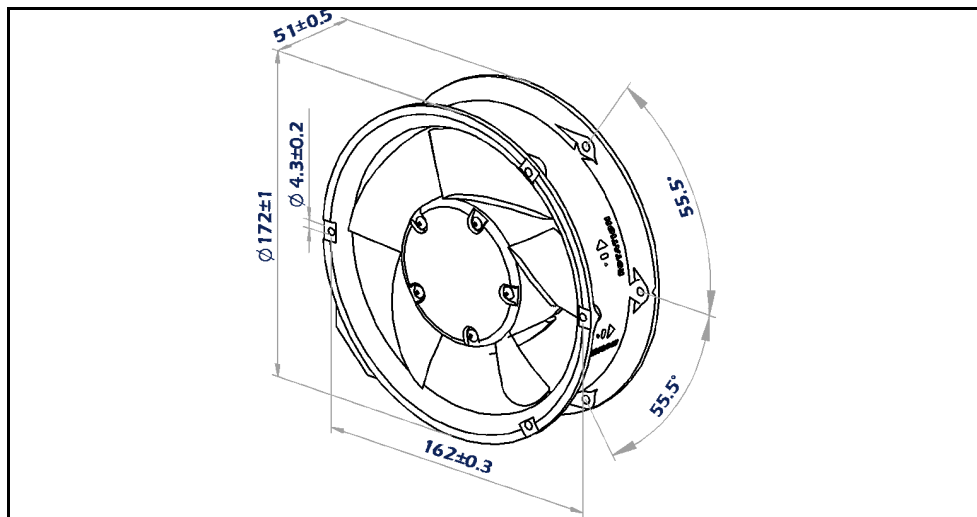
Approvals and Certificates

Approvals	CE	Y
	TUV	Y
	RoSH	Y
	UL	Y

Airflow Graph



Dimensional Drawing (mm)



Similar Products

Product	Size	Impeller Material	Speed	Noise	Weight
HIG-A172RM115H13I54T	172Øx51	Steel (Metal) Impeller	2700/3100	53/59	940
HIG-A172RP115S13I54L	172Øx51	Plastic Impeller	2800/3300	55/61	1050
HIG-A172RM115S13I54L	172Øx51				
HIG-A172RP115S13I54T	172Øx51				
HIG-A172RM115S13I54T	172Øx51				

Finger Guard Accessory's

Product	Guard Type	Fan Size	Weight (g)
N/A			
N/A			
N/A			

Additional Information

Box Quantity:	12
Weight Per Box:	11.04 KG
Size Per Box:	41×39×21

Highland Axial AC Fan

Part Number: HIG-A172RP115S13154L

Features:

Size (mm): 172Øx51

Maintenance-Free Ball Bearings

Aluminum Housing, Plastic Impeller

Insulation Class B, IP54

Thermally Protected (Auto Restart)

115 VAC



Product Description

Highland 172mm x 151mm Round 51mm Thick Axial Fan with Plastic Impeller, 115 VAC, Super Speed, AC Induction Capacitor Motor, IP54 Protection with Lead Wires

General Specification

Fan Type	Axial
Operating Voltage	115 VAC
Hz	50/60
Speed (RPM)	2800/3300
Airflow - CFM	240/285
Airflow - cubic m ³ /hr	407.763/484.218
Airflow - m ³ /s	0.113/0.135
Pressure - mmH ² O	17.0/20.0
Pressure - inchH ² O	0.669/0.787
Pressure - Pa	166.713/196.133
Noise dB	55/61
Operating Temperature	-20°C to +70°C
Expected Life (H)	70K @ 25 / 45K @ 40 Degrees Centigrade
Weight (g)	1050
Tariff Code	8414.59.6590

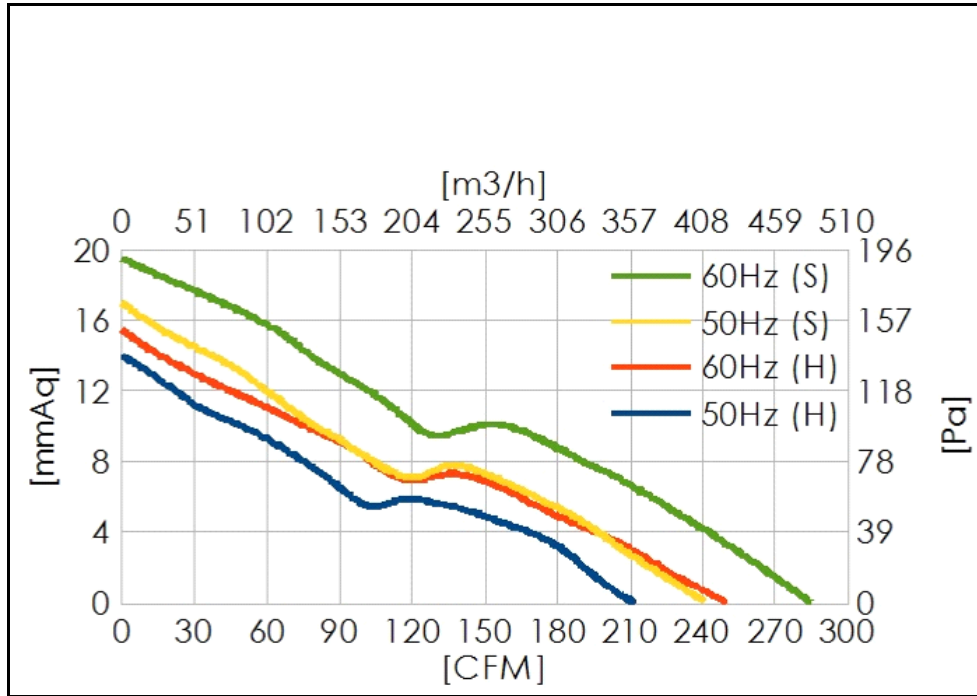
Mechanical Specifications

Fan Size	172Øx51
Frame Material	Aluminium
Impeller	Plastic Impeller

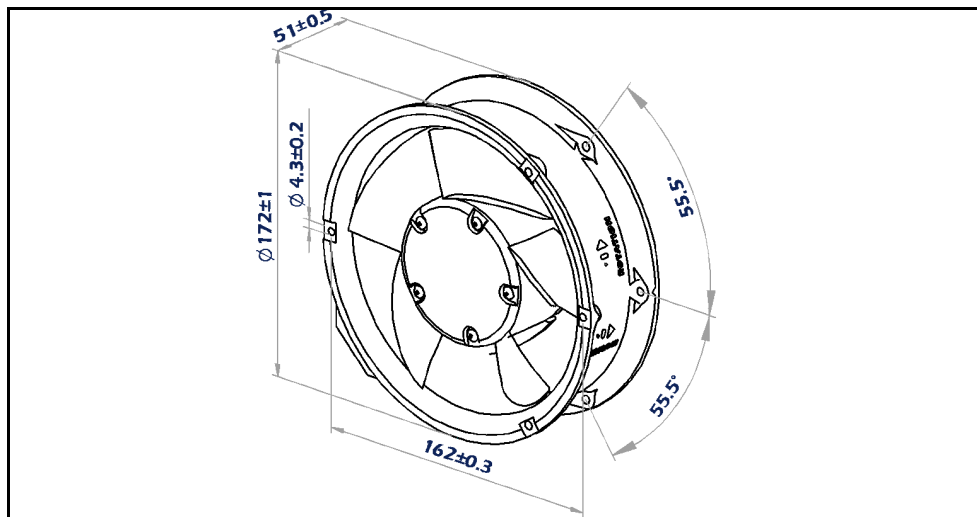
Approvals and Certificates

Approvals	CE	Y
	TUV	Y
	RoSH	Y
	UL	Y

Airflow Graph



Dimensional Drawing (mm)



Similar Products

Product	Size	Impeller Material	Speed	Noise	Weight
HIG-A172RP115H13I54L	172Øx51	Plastic Impeller	2650/3050	53/59	920
HIG-A172RM115H13I54L	172Øx51	Steel (Metal) Impeller	2700/3100	53/59	940
HIG-A172RM115S13I54L	172Øx51				
HIG-A172RP115S13I54T	172Øx51				
HIG-A172RM115S13I54T	172Øx51				

Finger Guard Accessory's

Product	Guard Type	Fan Size	Weight (g)
N/A			
N/A			
N/A			

Additional Information

Box Quantity:	12
Weight Per Box:	12.6 KG
Size Per Box:	41×39×21

Highland Axial AC Fan

Part Number: HIG-A172RP115S13154T

Features:

Size (mm): 172Øx51

Maintenance-Free Ball Bearings

Aluminum Housing, Plastic Impeller

Insulation Class B, IP54

Thermally Protected (Auto Restart)

115 VAC



Product Description

Highland 172mm x 151mm Round 51mm Thick Axial Fan with Plastic Impeller, 115 VAC, Super Speed, AC Induction Capacitor Motor, IP54 Protection with Terminals

General Specification

Fan Type	Axial
Operating Voltage	115 VAC
Hz	50/60
Speed (RPM)	2800/3300
Airflow - CFM	240/285
Airflow - cubic m ³ /hr	407.763/484.218
Airflow - m ³ /s	0.113/0.135
Pressure - mmH ² O	17.0/20.0
Pressure - inchH ² O	0.669/0.787
Pressure - Pa	166.713/196.133
Noise dB	55/61
Operating Temperature	-20°C to +70°C
Expected Life (H)	70K @ 25 / 45K @ 40 Degrees Centigrade
Weight (g)	1050
Tariff Code	8414.59.6590

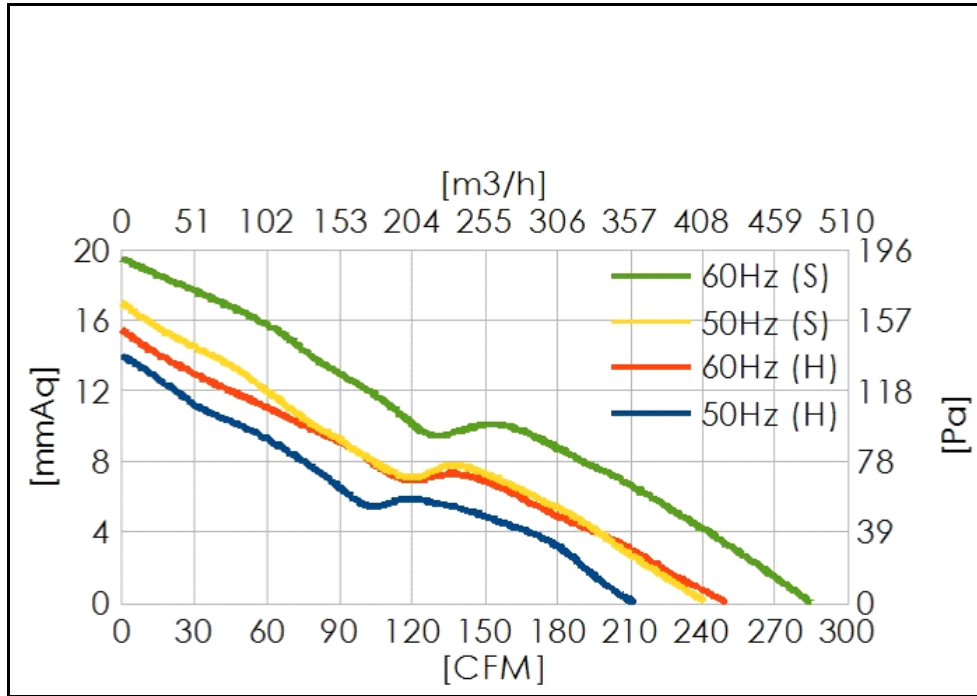
Mechanical Specifications

Fan Size	172Øx51
Frame Material	Aluminium
Impeller	Plastic Impeller

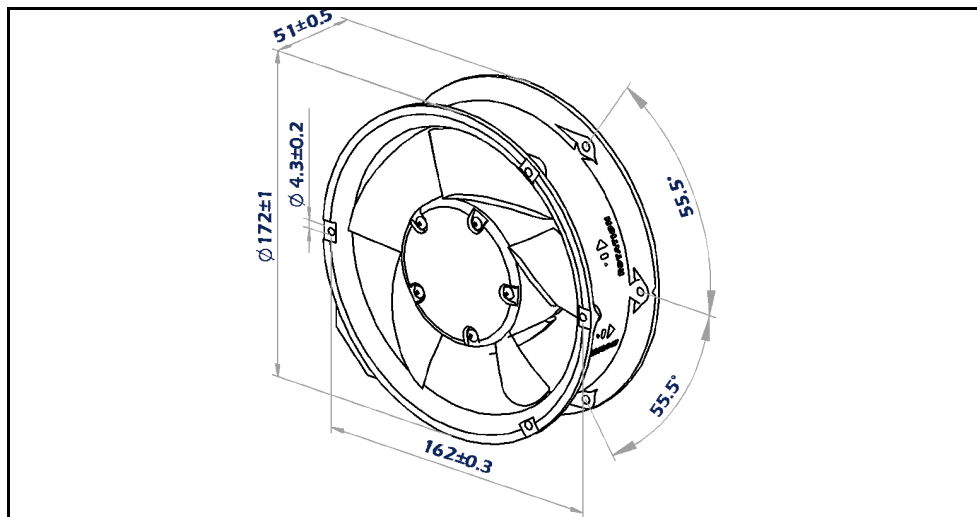
Approvals and Certificates

Approvals	CE	Y
	TUV	Y
	RoSH	Y
	UL	Y

Airflow Graph



Dimensional Drawing (mm)



Similar Products

Product	Size	Impeller Material	Speed	Noise	Weight
HIG-A172RP115H13I54L	172Øx51	Plastic Impeller	2650/3050	53/59	920
HIG-A172RM115H13I54L	172Øx51	Steel (Metal) Impeller	2700/3100	53/59	940
HIG-A172RM115H13I54T	172Øx51				
HIG-A172RP115S13I54L	172Øx51				
HIG-A172RM115S13I54T	172Øx51				

Finger Guard Accessory's

Product	Guard Type	Fan Size	Weight (g)
N/A			
N/A			
N/A			

Additional Information

Box Quantity:	12
Weight Per Box:	12.6 KG
Size Per Box:	41×39×21

Highland Axial AC Fan

Part Number: HIG-A225SM115H05I54K

Features:

Size (mm): 225 x 225 x 80

Maintenance-Free Ball Bearings

Aluminum Housing, Steel Impeller

Insulation Class B, IP54

Thermally Protected (Auto Restart)

115 VAC



Product Description

Highland 225mm x 225mm Square 80mm Thick Axial Fan with Steel (Metal) Impeller, 115 VAC, High Speed, AC Induction Capacitor Motor, IP54 Protection with Terminal Block

General Specification

Fan Type	Axial
Operating Voltage	115 VAC
Hz	50/60
Speed (RPM)	2800/3200
Airflow - CFM	580/670
Airflow - cubic m ³ /hr	985.426/1138.337
Airflow - m ³ /s	0.274/0.316
Pressure - mmH ² O	23.5/20.5
Pressure - inchH ² O	0.925/0.807
Pressure - Pa	230.457/201.037
Noise dB	68/71
Operating Temperature	-20°C to +70°C
Expected Life (H)	70K @ 25 / 45K @ 40 Degrees Centigrade
Weight (g)	2750
Tariff Code	8414.59.6590

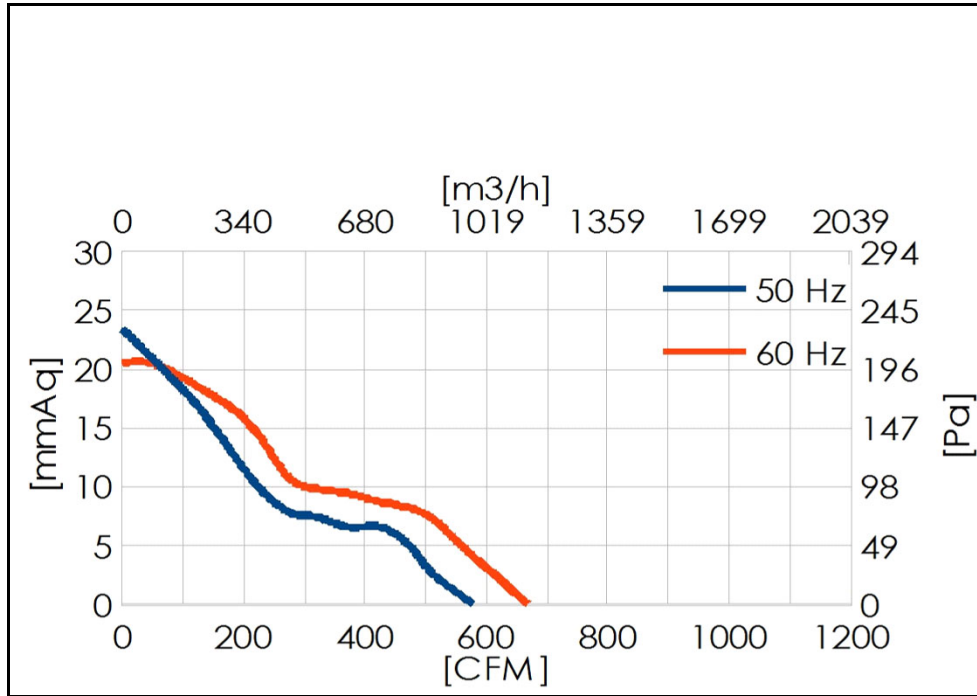
Mechanical Specifications

Fan Size	225 x 225 x 80
Frame Material	Aluminium
Impeller	Steel (Metal) Impeller

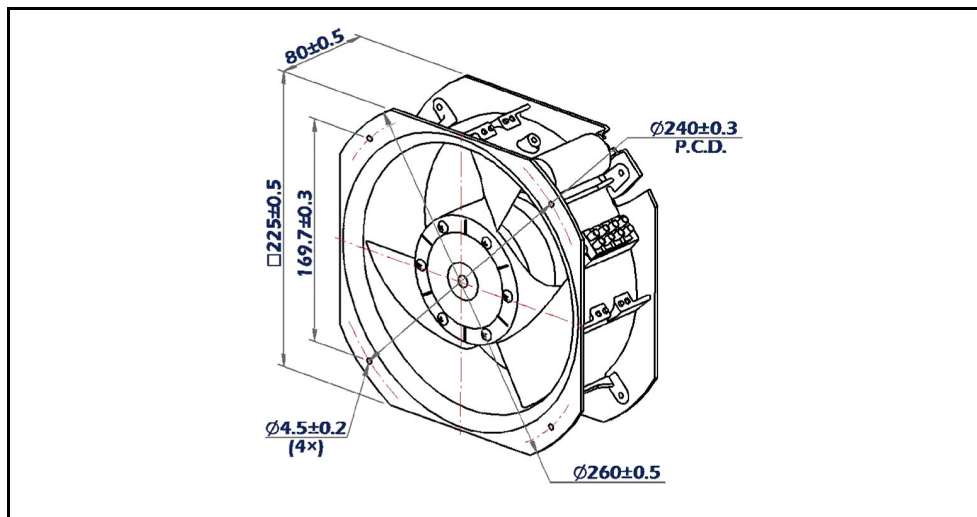
Approvals and Certificates

Approvals	CE	Y
	TUV	Y
	RoSH	Y
	UL	Y

Airflow Graph



Dimensional Drawing (mm)



Similar Products

Product	Size	Impeller Material	Speed	Noise	Weight
HIG-A225SM230H05I54K	225 x 225 x 80	Steel (Metal) Impeller	2800/3200	68/71	2750
N/A					
N/A					
N/A					
N/A					

Finger Guard Accessory's

Product	Guard Type	Fan Size	Weight (g)
N/A			
N/A			
N/A			

Additional Information

Box Quantity:	5
Weight Per Box:	13.75 KG
Size Per Box:	41×27.5×28.4

Highland Axial AC Fan

Part Number: HIG-A225SM230H05I54K

Features:

Size (mm): 225 x 225 x 80

Maintenance-Free Ball Bearings

Aluminum Housing, Steel Impeller

Insulation Class B, IP54

Thermally Protected (Auto Restart)

230 VAC



Product Description

Highland 225mm x 225mm Square 80mm Thick Axial Fan with Steel (Metal) Impeller, 230 VAC, High Speed, AC Induction Capacitor Motor, IP54 Protection with Terminal Block

General Specification

Fan Type	Axial
Operating Voltage	230 VAC
Hz	50/60
Speed (RPM)	2800/3200
Airflow - CFM	580/670
Airflow - cubic m ³ /hr	985.426/1138.337
Airflow - m ³ /s	0.274/0.316
Pressure - mmH ² O	23.5/20.5
Pressure - inchH ² O	0.925/0.807
Pressure - Pa	230.457/201.037
Noise dB	68/71
Operating Temperature	-20°C to +70°C
Expected Life (H)	70K @ 25 / 45K @ 40 Degrees Centigrade
Weight (g)	2750
Tariff Code	8414.59.6590

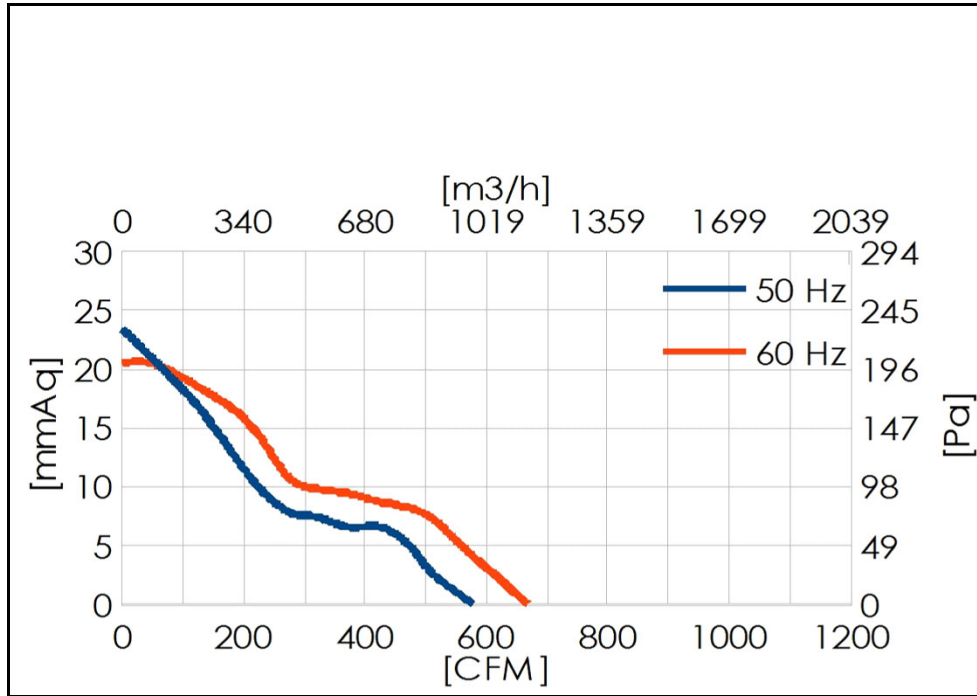
Mechanical Specifications

Fan Size	225 x 225 x 80
Frame Material	Aluminium
Impeller	Steel (Metal) Impeller

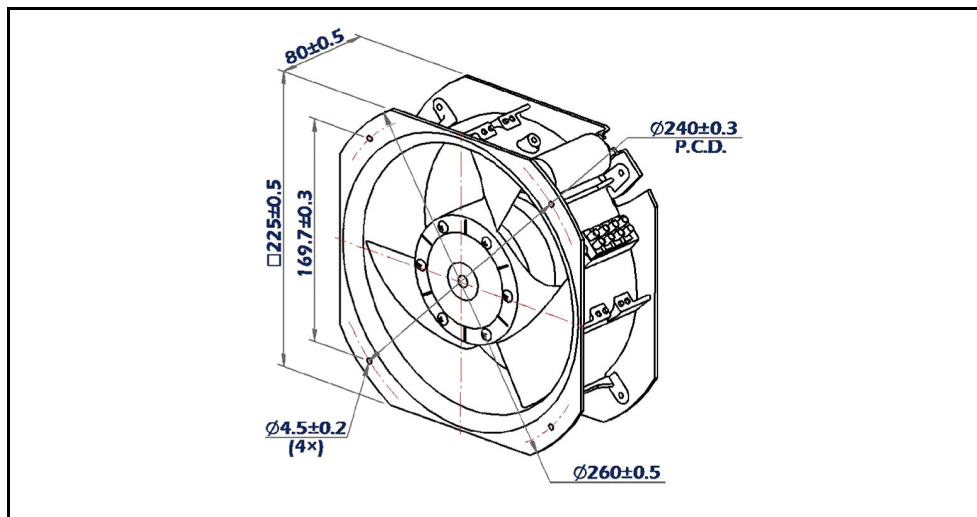
Approvals and Certificates

Approvals	CE	Y
	TUV	Y
	RoSH	Y
	UL	Y

Airflow Graph



Dimensional Drawing (mm)



Similar Products

Product	Size	Impeller Material	Speed	Noise	Weight
HIG-A225SM115H05I54K	225 x 225 x 80	Steel (Metal) Impeller	2800/3200	68/71	2750
N/A					
N/A					
N/A					
N/A					

Finger Guard Accessory's

Product	Guard Type	Fan Size	Weight (g)
N/A			
N/A			
N/A			

Additional Information

Box Quantity:	5
Weight Per Box:	13.75 KG
Size Per Box:	41×27.5×28.4

Highland Axial AC Fan

Part Number: HIG-A254RM115H04I54T

Features:

Size (mm): 254Øx89

Maintenance-Free Ball Bearings

Aluminum Housing, Steel Impeller

Insulation Class B, IP54

Thermally Protected (Auto Restart)

115 VAC



Product Description

Highland ϕ 254mm Round 89mm Thick Axial Fan with Steel (Metal) Impeller, 115 VAC, High Speed, AC Induction Capacitor Motor, IP54 Protection with Terminals

General Specification

Fan Type	Axial
Operating Voltage	115 VAC
Hz	50/60
Speed (RPM)	2800/3200
Airflow - CFM	740/860
Airflow - cubic m ³ /hr	1257.268/1461.149
Airflow - m ³ /s	0.349/0.406
Pressure - mmH ² O	22.5/21.5
Pressure - inchH ² O	0.886/0.846
Pressure - Pa	220.65/210.843
Noise dB	66/68
Operating Temperature	-20°C to +70°C
Expected Life (H)	70K @ 25 / 45K @ 40 Degrees Centigrade
Weight (g)	2750
Tariff Code	8414.59.6590

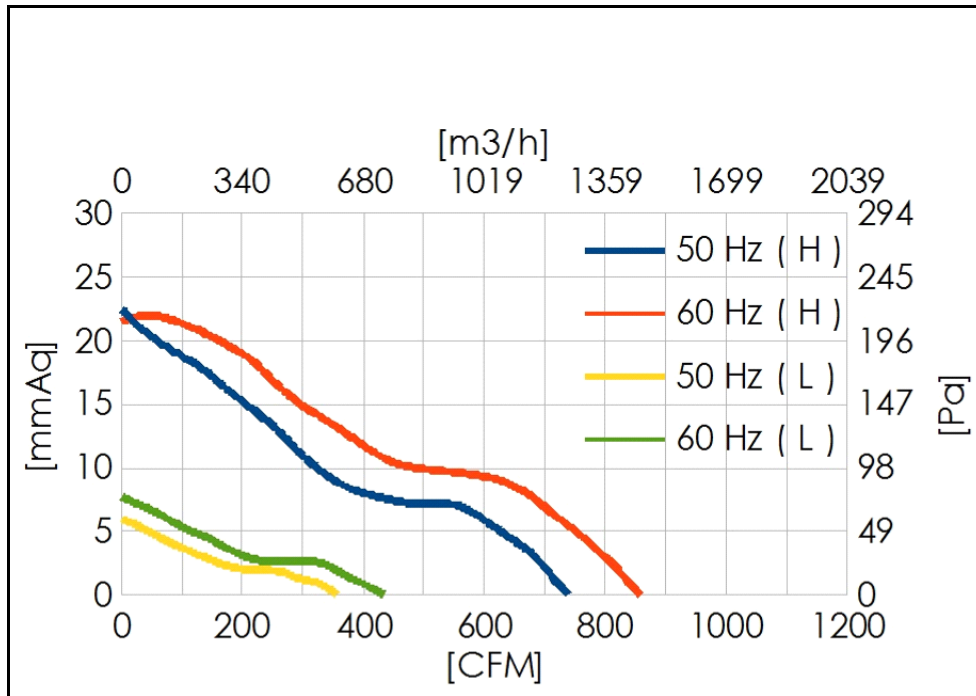
Mechanical Specifications

Fan Size	254 ϕ x89
Frame Material	Aluminium
Impeller	Steel (Metal) Impeller

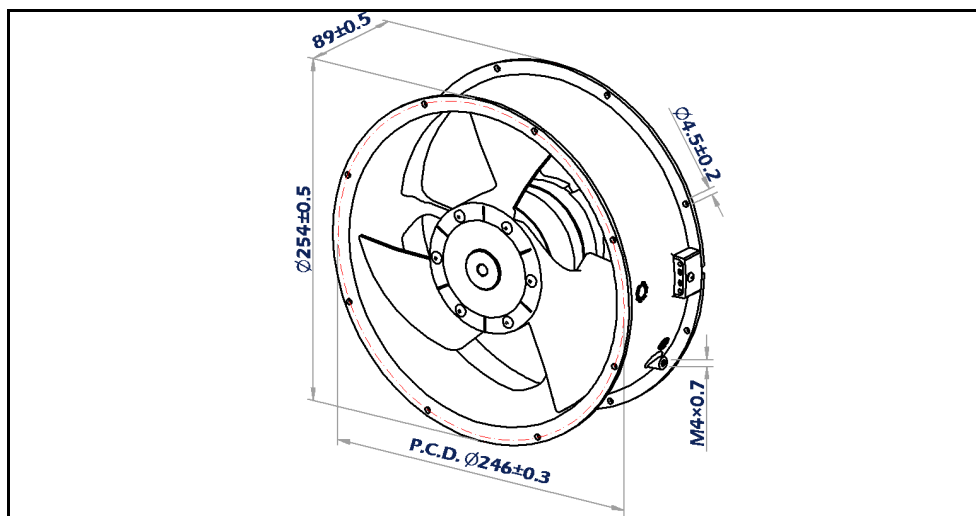
Approvals and Certificates

Approvals	CE	Y
	TUV	Y
	RoSH	Y
	UL	Y

Airflow Graph



Dimensional Drawing (mm)



Similar Products

Product	Size	Impeller Material	Speed	Noise	Weight
HIG-A254RM115L04I54T	254Øx89	Steel (Metal) Impeller	1400/1650	52/54	2750
HIG-A254RM230H04I54L	254Øx89	Steel (Metal) Impeller	2800/3200	66/68	2750
HIG-A254RM230H04I54T	254Øx89				
HIG-A254RM230L04I54L	254Øx89				
HIG-A254RM230L04I54T	254Øx89				

Finger Guard Accessory's

Product	Guard Type	Fan Size	Weight (g)
N/A			
N/A			
N/A			

Additional Information

Box Quantity:	6
Weight Per Box:	16.5 KG
Size Per Box:	63×31×31

Highland Axial AC Fan

Part Number: HIG-A254RM115L04I54L

Features:

Size (mm): 254Øx89

Maintenance-Free Ball Bearings

Aluminum Housing, Steel Impeller

Insulation Class B, IP54

Thermally Protected (Auto Restart)

115 VAC



Product Description

Highland ϕ 254mm Round 89mm Thick Axial Fan with Steel (Metal) Impeller, 115 VAC, Low Speed, AC Induction Capacitor Motor, IP54 Protection with Lead Wires

General Specification

Fan Type	Axial
Operating Voltage	115 VAC
Hz	50/60
Speed (RPM)	1400/1650
Airflow - CFM	370/440
Airflow - cubic m ³ /hr	628.634/747.565
Airflow - m ³ /s	0.175/0.208
Pressure - mmH ² O	6.3/7.9
Pressure - inchH ² O	0.248/0.311
Pressure - Pa	61.782/77.473
Noise dB	52/54
Operating Temperature	-20°C to +70°C
Expected Life (H)	70K @ 25 / 45K @ 40 Degrees Centigrade
Weight (g)	2750
Tariff Code	8414.59.6590

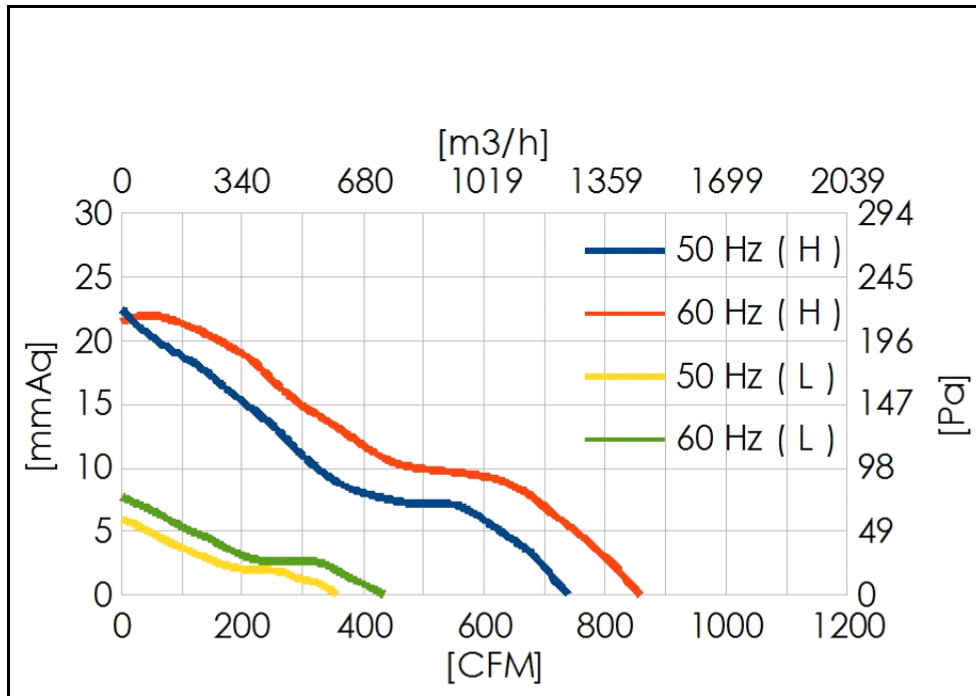
Mechanical Specifications

Fan Size	254 ϕ x89
Frame Material	Aluminium
Impeller	Steel (Metal) Impeller

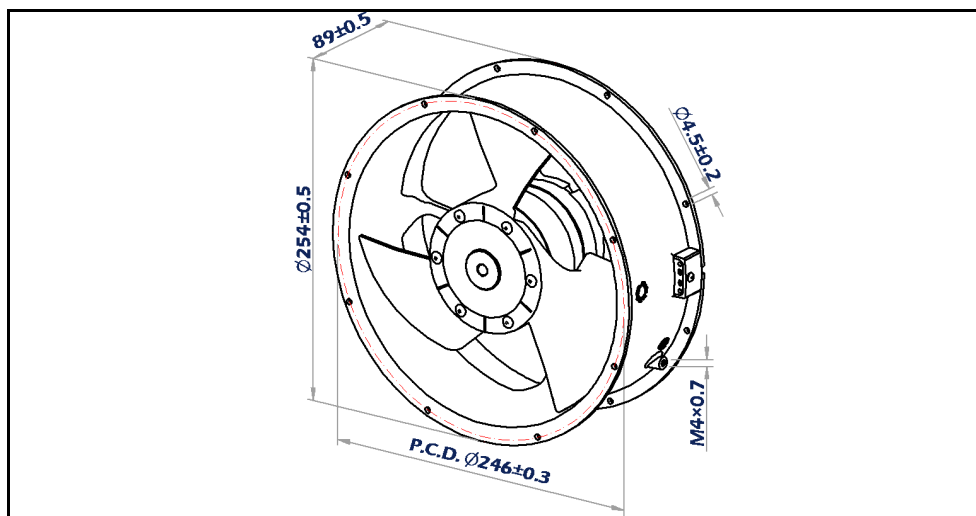
Approvals and Certificates

Approvals	CE	Y
	TUV	Y
	RoSH	Y
	UL	Y

Airflow Graph



Dimensional Drawing (mm)



Similar Products

Product	Size	Impeller Material	Speed	Noise	Weight
HIG-A254RM115L04I54T	254Øx89	Steel (Metal) Impeller	1400/1650	52/54	2750
HIG-A254RM230H04I54L	254Øx89	Steel (Metal) Impeller	2800/3200	66/68	2750
HIG-A254RM230H04I54T	254Øx89				
HIG-A254RM230L04I54L	254Øx89				
HIG-A254RM230L04I54T	254Øx89				

Finger Guard Accessory's

Product	Guard Type	Fan Size	Weight (g)
N/A			
N/A			
N/A			

Additional Information

Box Quantity:	6
Weight Per Box:	16.5 KG
Size Per Box:	63×31×31

Highland Axial AC Fan

Part Number: HIG-A254RM115L04I54T

Features:

Size (mm): 254Øx89

Maintenance-Free Ball Bearings

Aluminum Housing, Steel Impeller

Insulation Class B, IP54

Thermally Protected (Auto Restart)

115 VAC



Product Description

Highland ϕ 254mm Round 89mm Thick Axial Fan with Steel (Metal) Impeller, 115 VAC, Low Speed, AC Induction Capacitor Motor, IP54 Protection with Terminals

General Specification

Fan Type	Axial
Operating Voltage	115 VAC
Hz	50/60
Speed (RPM)	1400/1650
Airflow - CFM	370/440
Airflow - cubic m ³ /hr	628.634/747.565
Airflow - m ³ /s	0.175/0.208
Pressure - mmH ² O	6.3/7.9
Pressure - inchH ² O	0.248/0.311
Pressure - Pa	61.782/77.473
Noise dB	52/54
Operating Temperature	-20°C to +70°C
Expected Life (H)	70K @ 25 / 45K @ 40 Degrees Centigrade
Weight (g)	2750
Tariff Code	8414.59.6590

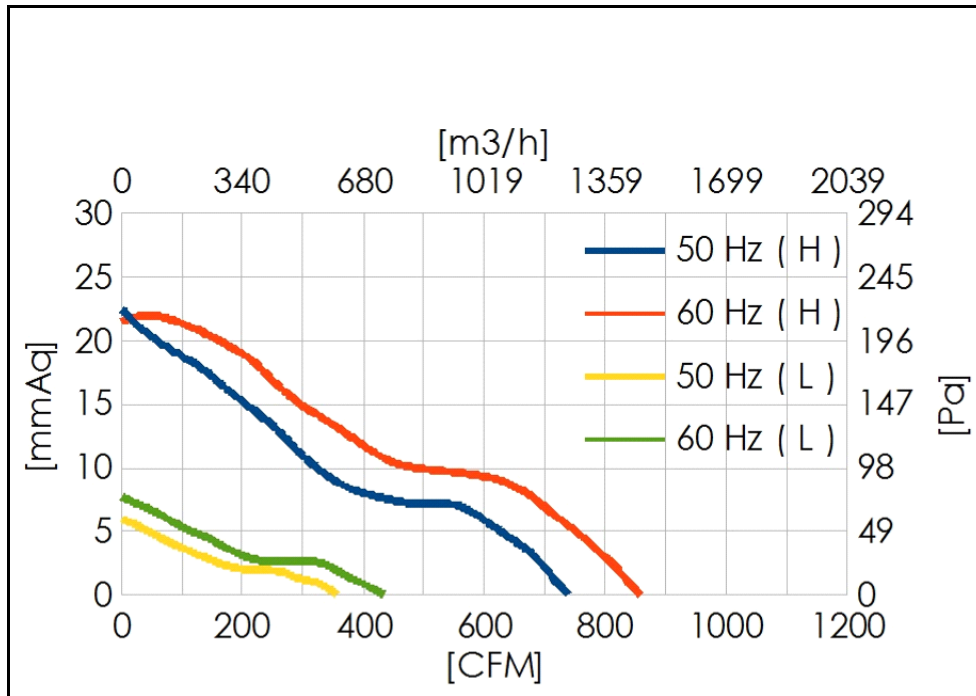
Mechanical Specifications

Fan Size	254 ϕ x89
Frame Material	Aluminium
Impeller	Steel (Metal) Impeller

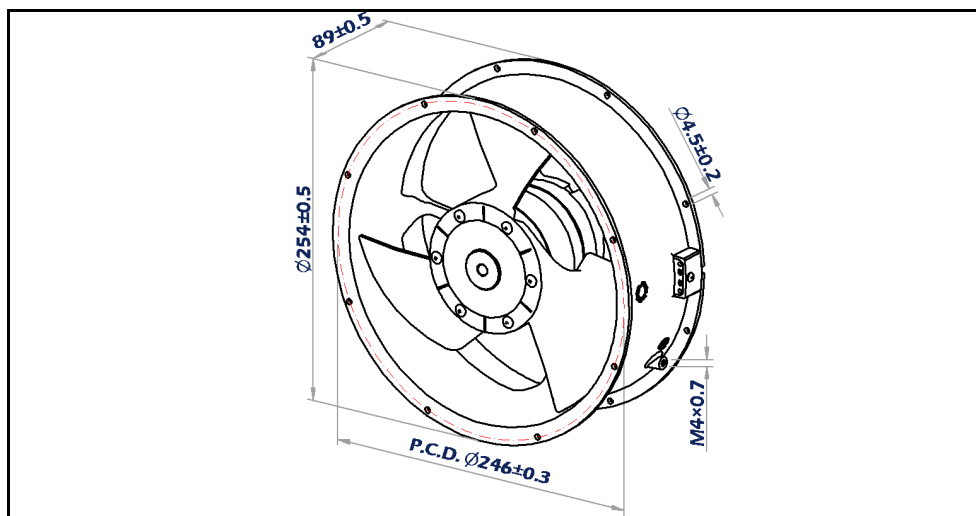
Approvals and Certificates

Approvals	CE	Y
	TUV	Y
	RoSH	Y
	UL	Y

Airflow Graph



Dimensional Drawing (mm)



Similar Products

Product	Size	Impeller Material	Speed	Noise	Weight
HIG-A254RM115L04I54L	254Øx89	Steel (Metal) Impeller	1400/1650	52/54	2750
HIG-A254RM115H04I54T	254Øx89	Steel (Metal) Impeller	2800/3200	66/68	2750
HIG-A254RM230H04I54T	254Øx89				
HIG-A254RM230L04I54L	254Øx89				
HIG-A254RM230L04I54T	254Øx89				

Finger Guard Accessory's

Product	Guard Type	Fan Size	Weight (g)
N/A			
N/A			
N/A			

Additional Information

Box Quantity:	6
Weight Per Box:	16.5 KG
Size Per Box:	63×31×31

Highland Axial AC Fan

Part Number: HIG-A254RM230H04I54L

Features:

Size (mm): 254Øx89

Maintenance-Free Ball Bearings

Aluminum Housing, Steel Impeller

Insulation Class B, IP54

Thermally Protected (Auto Restart)

230 VAC



Product Description

Highland ϕ 254mm Round 89mm Thick Axial Fan with Steel (Metal) Impeller, 230 VAC, High Speed, AC Induction Capacitor Motor, IP54 Protection with Lead Wires

General Specification

Fan Type	Axial
Operating Voltage	230 VAC
Hz	50/60
Speed (RPM)	2800/3200
Airflow - CFM	740/860
Airflow - cubic m ³ /hr	1257.268/1461.149
Airflow - m ³ /s	0.349/0.406
Pressure - mmH ² O	22.5/21.5
Pressure - inchH ² O	0.886/0.846
Pressure - Pa	220.65/210.843
Noise dB	66/68
Operating Temperature	-20°C to +70°C
Expected Life (H)	70K @ 25 / 45K @ 40 Degrees Centigrade
Weight (g)	2750
Tariff Code	8414.59.6590

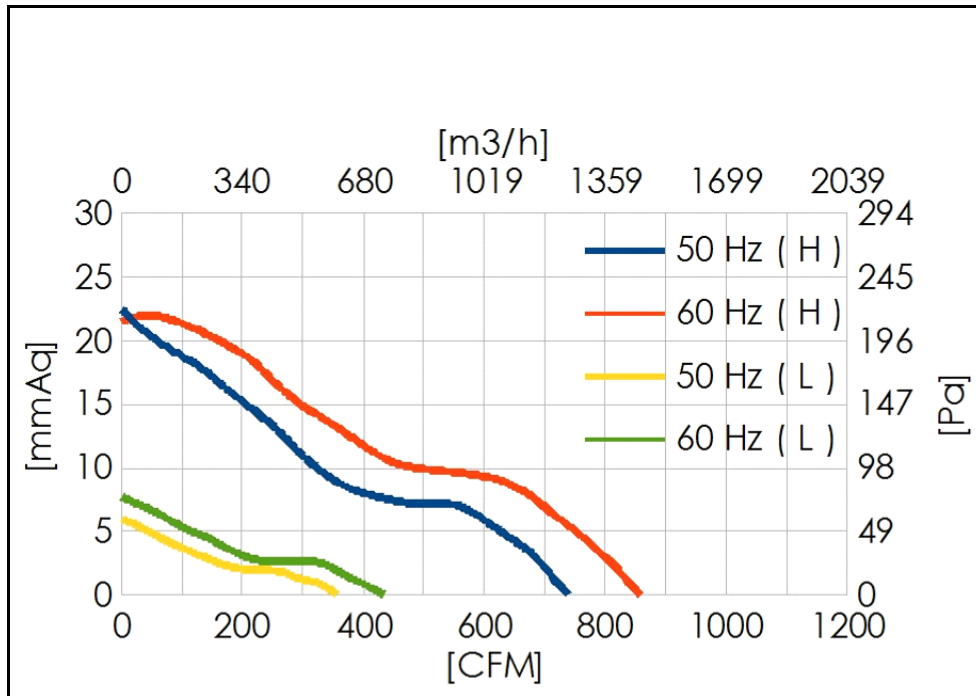
Mechanical Specifications

Fan Size	254 ϕ x89
Frame Material	Aluminium
Impeller	Steel (Metal) Impeller

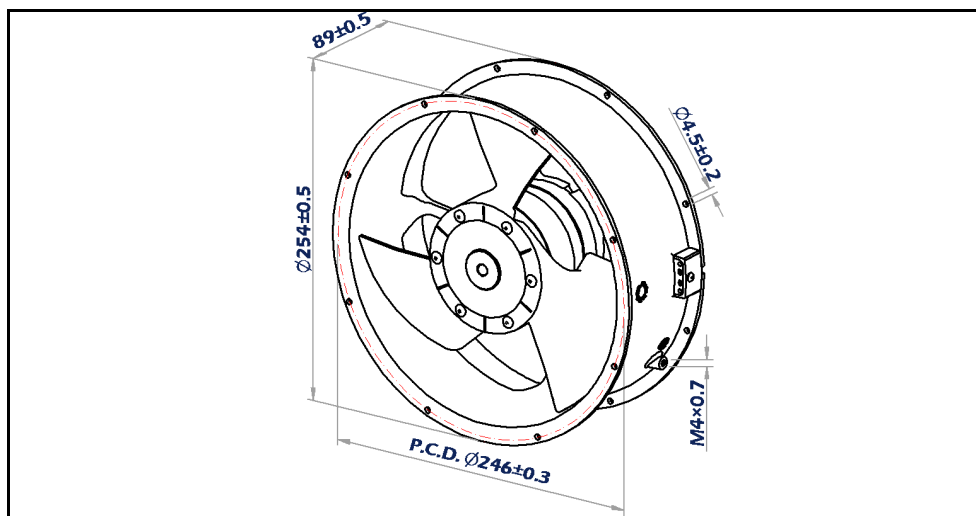
Approvals and Certificates

Approvals	CE	Y
	TUV	Y
	RoSH	Y
	UL	Y

Airflow Graph



Dimensional Drawing (mm)



Similar Products

Product	Size	Impeller Material	Speed	Noise	Weight
HIG-A254RM115L04I54L	254Øx89	Steel (Metal) Impeller	1400/1650	52/54	2750
HIG-A254RM115H04I54T	254Øx89	Steel (Metal) Impeller	2800/3200	66/68	2750
HIG-A254RM230H04I54T	254Øx89				
HIG-A254RM230L04I54L	254Øx89				
HIG-A254RM230L04I54T	254Øx89				

Finger Guard Accessory's

Product	Guard Type	Fan Size	Weight (g)
N/A			
N/A			
N/A			

Additional Information

Box Quantity:	6
Weight Per Box:	16.5 KG
Size Per Box:	63×31×31

Highland Axial AC Fan

Part Number: HIG-A254RM230H04I54T

Features:

Size (mm): 254Øx89

Maintenance-Free Ball Bearings

Aluminum Housing, Steel Impeller

Insulation Class B, IP54

Thermally Protected (Auto Restart)

230 VAC



Product Description

Highland ϕ 254mm Round 89mm Thick Axial Fan with Steel (Metal) Impeller, 230 VAC, High Speed, AC Induction Capacitor Motor, IP54 Protection with Terminals

General Specification

Fan Type	Axial
Operating Voltage	230 VAC
Hz	50/60
Speed (RPM)	2800/3200
Airflow - CFM	740/860
Airflow - cubic m ³ /hr	1257.268/1461.149
Airflow - m ³ /s	0.349/0.406
Pressure - mmH ² O	22.5/21.5
Pressure - inchH ² O	0.886/0.846
Pressure - Pa	220.65/210.843
Noise dB	66/68
Operating Temperature	-20°C to +70°C
Expected Life (H)	70K @ 25 / 45K @ 40 Degrees Centigrade
Weight (g)	2750
Tariff Code	8414.59.6590

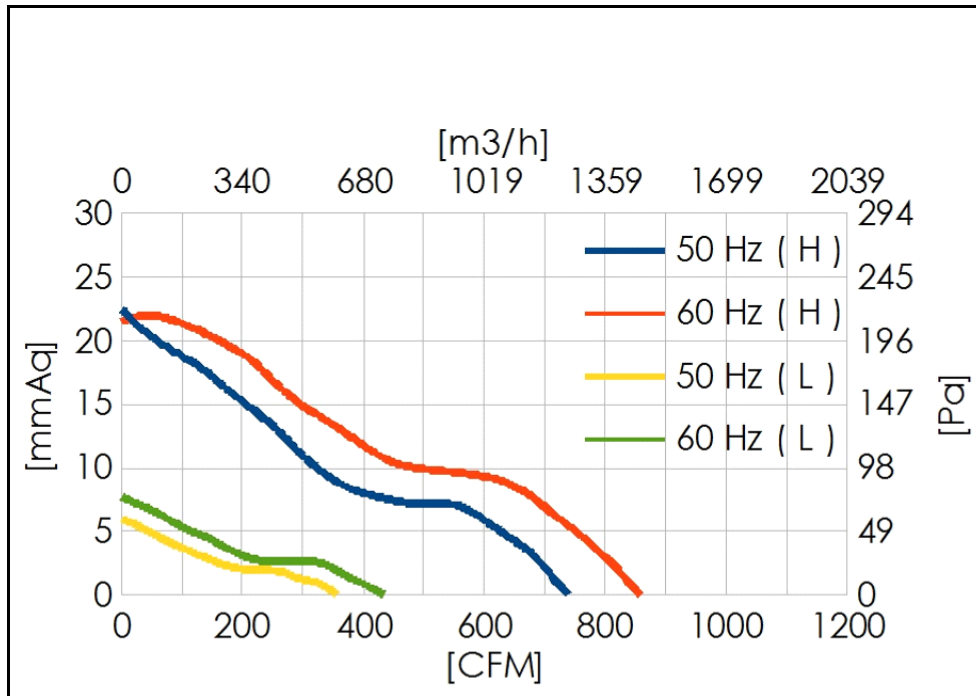
Mechanical Specifications

Fan Size	254 ϕ x89
Frame Material	Aluminium
Impeller	Steel (Metal) Impeller

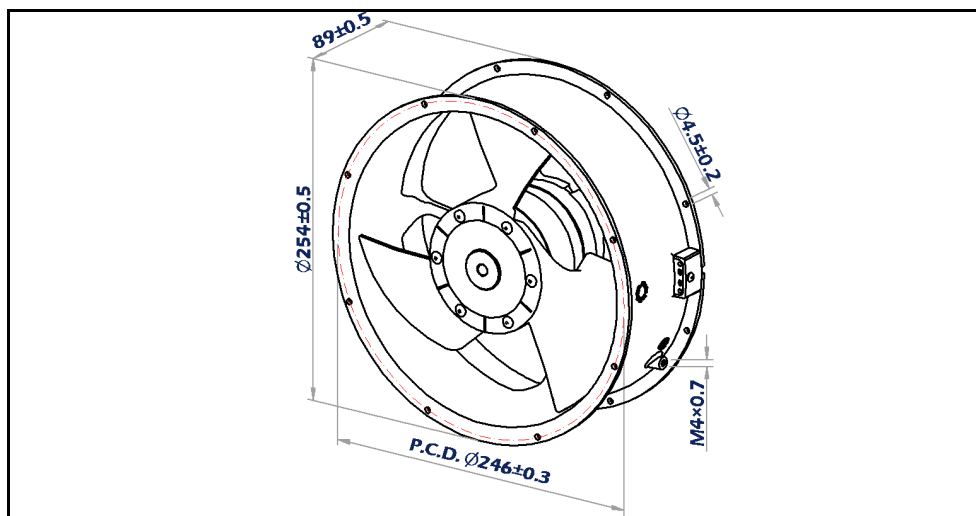
Approvals and Certificates

Approvals	CE	Y
	TUV	Y
	RoSH	Y
	UL	Y

Airflow Graph



Dimensional Drawing (mm)



Similar Products

Product	Size	Impeller Material	Speed	Noise	Weight
HIG-A254RM115L04I54L	254Øx89	Steel (Metal) Impeller	1400/1650	52/54	2750
HIG-A254RM115H04I54T	254Øx89	Steel (Metal) Impeller	2800/3200	66/68	2750
HIG-A254RM115L04I54T	254Øx89				
HIG-A254RM230H04I54L	254Øx89				
HIG-A254RM230L04I54T	254Øx89				

Finger Guard Accessory's

Product	Guard Type	Fan Size	Weight (g)
N/A			
N/A			
N/A			

Additional Information

Box Quantity:	6
Weight Per Box:	16.5 KG
Size Per Box:	63×31×31

Highland Axial AC Fan

Part Number: **HIG-A254RM230L04I54L**

Features:

Size (mm): 254Øx89

Maintenance-Free Ball Bearings

Aluminum Housing, Steel Impeller

Insulation Class B, IP54

Thermally Protected (Auto Restart)

230 VAC



Product Description

Highland ϕ 254mm Round 89mm Thick Axial Fan with Steel (Metal) Impeller, 230 VAC, Low Speed, AC Induction Capacitor Motor, IP54 Protection with Lead Wires

General Specification

Fan Type	Axial
Operating Voltage	230 VAC
Hz	50/60
Speed (RPM)	1400/1650
Airflow - CFM	370/440
Airflow - cubic m ³ /hr	628.634/747.565
Airflow - m ³ /s	0.175/0.208
Pressure - mmH ² O	6.3/7.9
Pressure - inchH ² O	0.248/0.311
Pressure - Pa	61.782/77.473
Noise dB	52/54
Operating Temperature	-20°C to +70°C
Expected Life (H)	70K @ 25 / 45K @ 40 Degrees Centigrade
Weight (g)	2750
Tariff Code	8414.59.6590

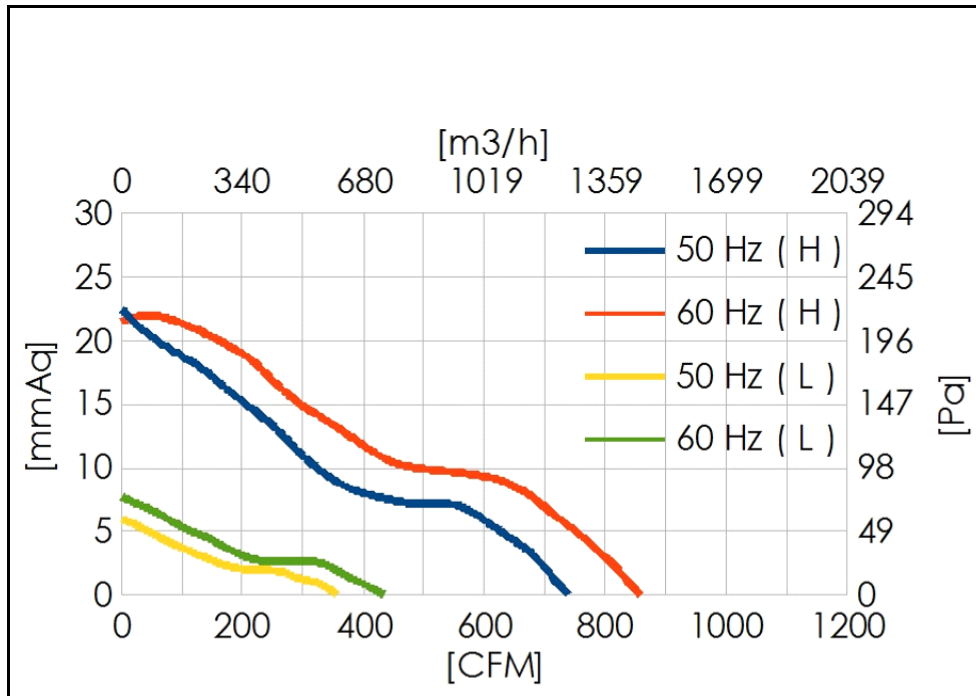
Mechanical Specifications

Fan Size	254 ϕ x89
Frame Material	Aluminium
Impeller	Steel (Metal) Impeller

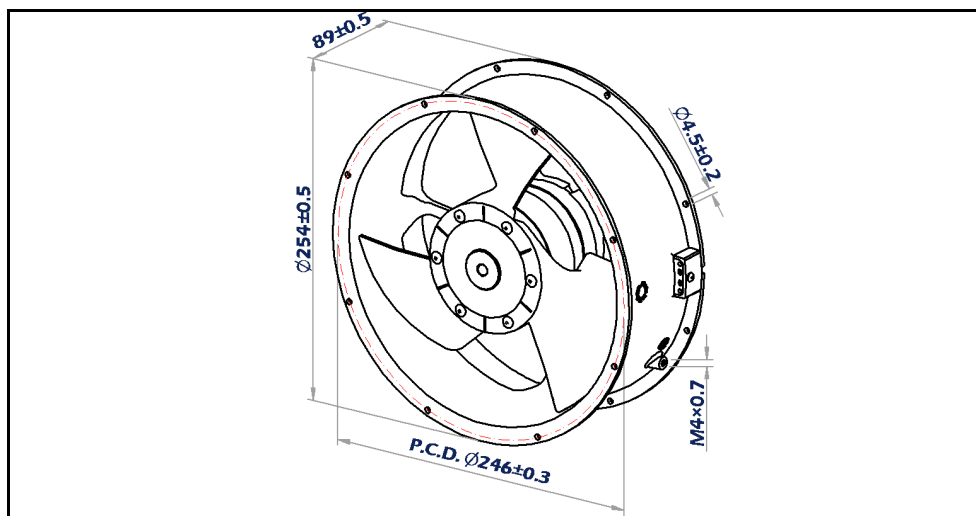
Approvals and Certificates

Approvals	CE	Y
	TUV	Y
	RoSH	Y
	UL	Y

Airflow Graph



Dimensional Drawing (mm)



Similar Products

Product	Size	Impeller Material	Speed	Noise	Weight
HIG-A254RM115L04I54L	254Øx89	Steel (Metal) Impeller	1400/1650	52/54	2750
HIG-A254RM115H04I54T	254Øx89	Steel (Metal) Impeller	2800/3200	66/68	2750
HIG-A254RM115L04I54T	254Øx89				
HIG-A254RM230H04I54L	254Øx89				
HIG-A254RM230L04I54T	254Øx89				

Finger Guard Accessory's

Product	Guard Type	Fan Size	Weight (g)
N/A			
N/A			
N/A			

Additional Information

Box Quantity:	6
Weight Per Box:	16.5 KG
Size Per Box:	63×31×31

Highland Axial AC Fan

Part Number: **HIG-A254RM230L04I54T**

Features:

Size (mm): 254Øx89

Maintenance-Free Ball Bearings

Aluminum Housing, Steel Impeller

Insulation Class B, IP54

Thermally Protected (Auto Restart)

230 VAC



Product Description

Highland ϕ 254mm Round 89mm Thick Axial Fan with Steel (Metal) Impeller, 230 VAC, Low Speed, AC Induction Capacitor Motor, IP54 Protection with Terminals

General Specification

Fan Type	Axial
Operating Voltage	230 VAC
Hz	50/60
Speed (RPM)	1400/1650
Airflow - CFM	370/440
Airflow - cubic m ³ /hr	628.634/747.565
Airflow - m ³ /s	0.175/0.208
Pressure - mmH ² O	6.3/7.9
Pressure - inchH ² O	0.248/0.311
Pressure - Pa	61.782/77.473
Noise dB	52/54
Operating Temperature	-20°C to +70°C
Expected Life (H)	70K @ 25 / 45K @ 40 Degrees Centigrade
Weight (g)	2750
Tariff Code	8414.59.6590

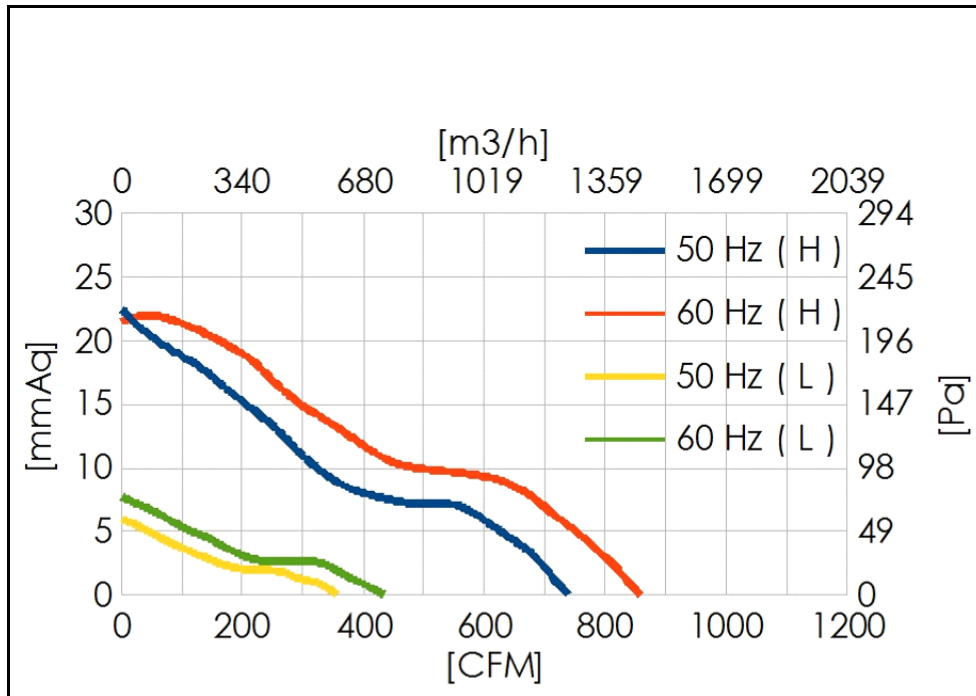
Mechanical Specifications

Fan Size	254 ϕ x89
Frame Material	Aluminium
Impeller	Steel (Metal) Impeller

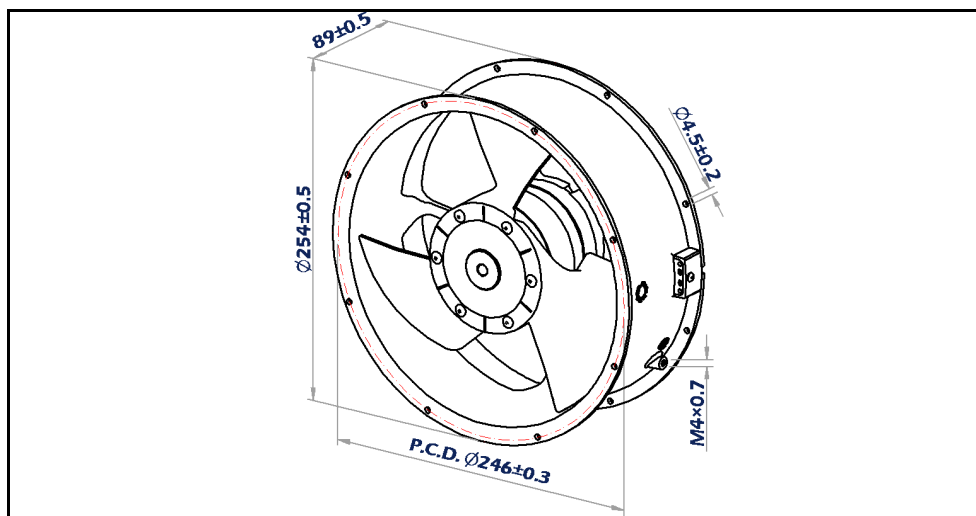
Approvals and Certificates

Approvals	CE	Y
	TUV	Y
	RoSH	Y
	UL	Y

Airflow Graph



Dimensional Drawing (mm)



Similar Products

Product	Size	Impeller Material	Speed	Noise	Weight
HIG-A254RM115L04I54L	254Øx89	Steel (Metal) Impeller	1400/1650	52/54	2750
HIG-A254RM115H04I54T	254Øx89	Steel (Metal) Impeller	2800/3200	66/68	2750
HIG-A254RM115L04I54T	254Øx89				
HIG-A254RM230H04I54L	254Øx89				
HIG-A254RM230H04I54T	254Øx89				

Finger Guard Accessory's

Product	Guard Type	Fan Size	Weight (g)
N/A			
N/A			
N/A			

Additional Information

Box Quantity:	6
Weight Per Box:	16.5 KG
Size Per Box:	63×31×31

Highland Axial AC Fan

Part Number: **HIG-A280SM230H05I54K**

Features:

Size (mm): 280 x 280 x 80

Maintenance-Free Ball Bearings

Aluminum Housing, Steel Impeller

Insulation Class B, IP54

Thermally Protected (Auto Restart)

230 VAC



Product Description

Highland 280mm x 280mm Square 80mm Thick Axial Fan with Steel (Metal) Impeller, 230 VAC, High Speed, AC Induction Capacitor Motor, IP54 Protection with Terminal Block

General Specification

Fan Type	Axial
Operating Voltage	230 VAC
Hz	50/60
Speed (RPM)	2650/2900
Airflow - CFM	1090/1200
Airflow - cubic m ³ /hr	1851.922/2038.813
Airflow - m ³ /s	0.514/0.566
Pressure - mmH ² O	24.5/20.5
Pressure - inchH ² O	0.965/0.807
Pressure - Pa	240.263/201.037
Noise dB	70/73
Operating Temperature	-20°C to +70°C
Expected Life (H)	70K @ 25 / 45K @ 40 Degrees Centigrade
Weight (g)	3150
Tariff Code	8414.59.6590

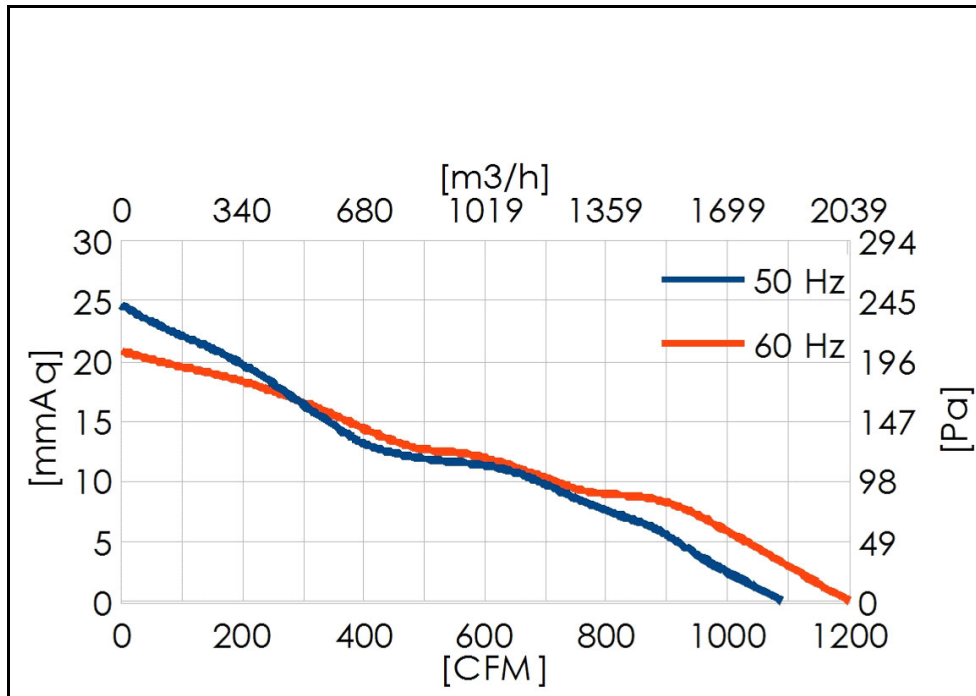
Mechanical Specifications

Fan Size	280 x 280 x 80
Frame Material	Aluminium
Impeller	Steel (Metal) Impeller

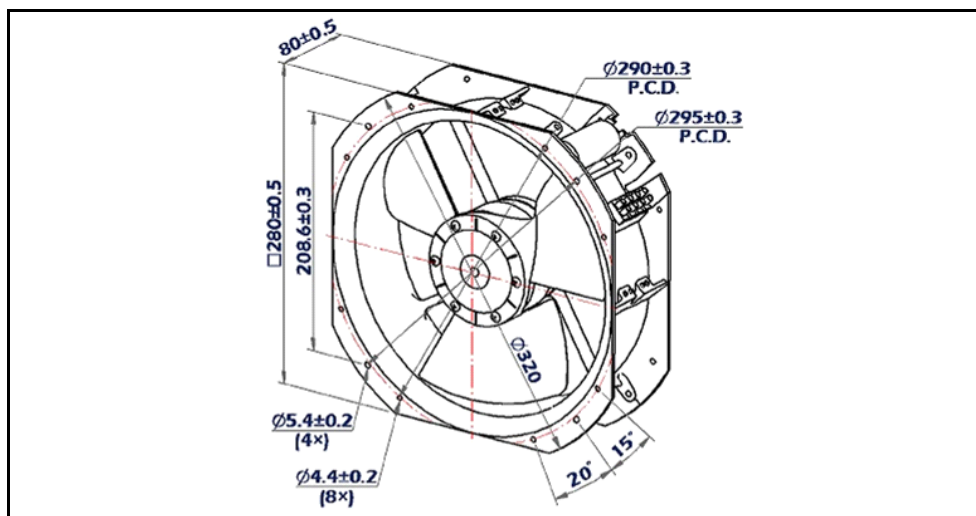
Approvals and Certificates

Approvals	CE	Y
	TUV	Y
	RoSH	Y
	UL	Y

Airflow Graph



Dimensional Drawing (mm)



Similar Products

Product	Size	Impeller Material	Speed	Noise	Weight
HIG-A280SM115H05I54K	280 x 280 x 80	Steel (Metal) Impeller	2650/2900	70/73	3150
HIG-A280SM230H05I54K.D	280 x 280 x 80	Steel (Metal) Impeller	2650/2900	70/73	3150
N/A					
N/A					
N/A					

Finger Guard Accessory's

Product	Guard Type	Fan Size	Weight (g)
N/A			
N/A			
N/A			

Additional Information

Box Quantity:	6
Weight Per Box:	18.9 KG
Size Per Box:	63×31×31

Highland Axial AC Fan

Part Number: **HIG-A280SM230H05I54K.D**

Features:

Size (mm): 280 x 280 x 80

Maintenance-Free Ball Bearings

Aluminum Housing, Steel Impeller

Insulation Class B, IP54

Thermally Protected (Auto Restart)

230 VAC



Product Description

Highland 280mm x 280mm Square 80mm Thick Axial Fan with Steel (Metal) Impeller, 230 VAC, High Speed, AC Induction Capacitor Motor, IP54 Protection with Terminal Block Dual Fan Custom Setup

General Specification

Fan Type	Axial
Operating Voltage	230 VAC
Hz	50/60
Speed (RPM)	2650/2900
Airflow - CFM	1090/1200
Airflow - cubic m ³ /hr	1851.922/2038.813
Airflow - m ³ /s	0.514/0.566
Pressure - mmH ² O	24.5/20.5
Pressure - inchH ² O	0.965/0.807
Pressure - Pa	240.263/201.037
Noise dB	70/73
Operating Temperature	-20°C to +70°C
Expected Life (H)	70K @ 25 / 45K @ 40 Degrees Centigrade
Weight (g)	3150
Tariff Code	8414.59.6590

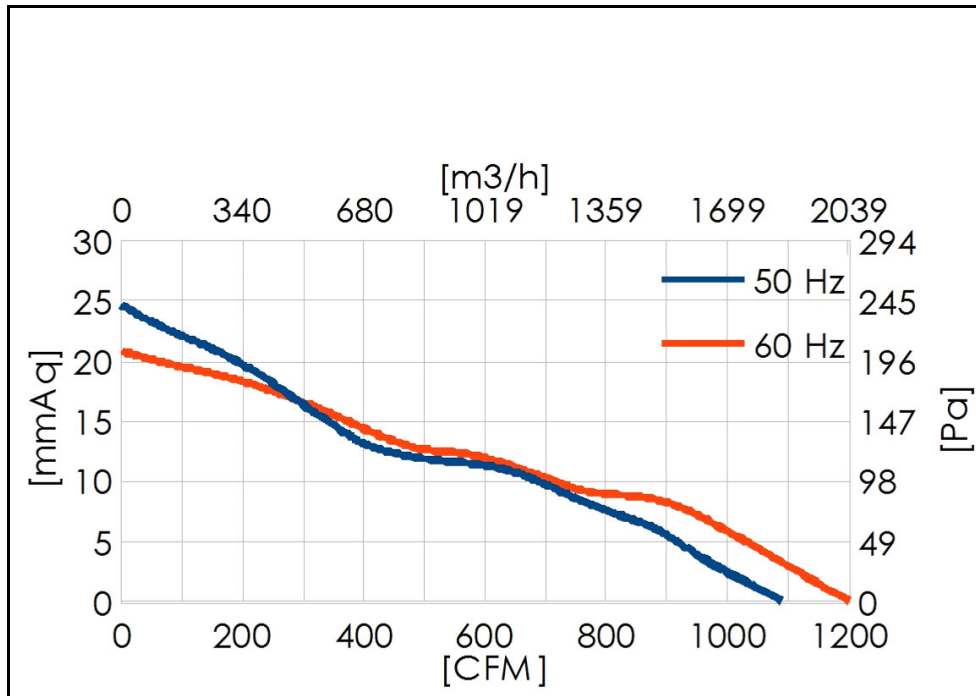
Mechanical Specifications

Fan Size	280 x 280 x 80
Frame Material	Aluminium
Impeller	Steel (Metal) Impeller

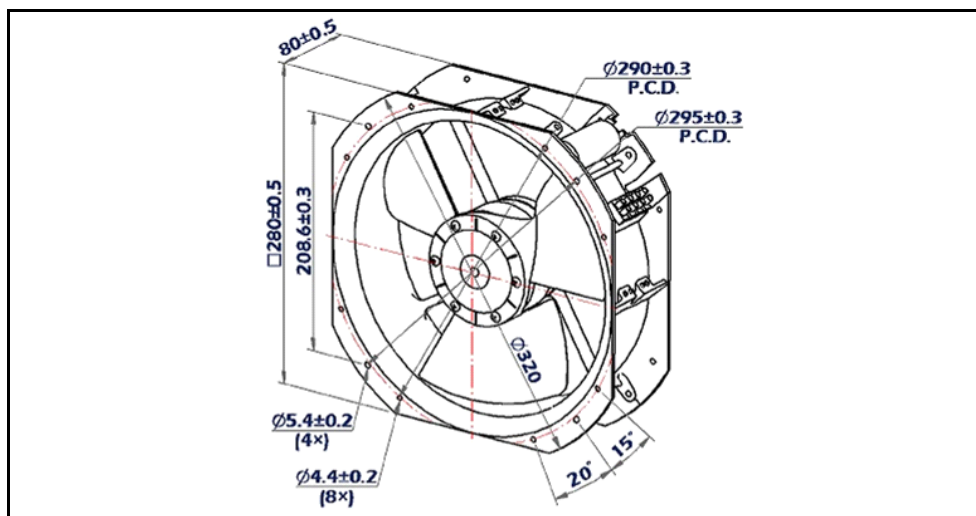
Approvals and Certificates

Approvals	CE	Y
	TUV	Y
	RoSH	Y
	UL	Y

Airflow Graph



Dimensional Drawing (mm)



Similar Products

Product	Size	Impeller Material	Speed	Noise	Weight
HIG-A280SM115H05I54K	280 x 280 x 80	Steel (Metal) Impeller	2650/2900	70/73	3150
HIG-A280SM230H05I54K	280 x 280 x 80	Steel (Metal) Impeller	2650/2900	70/73	3150
N/A					
N/A					
N/A					

Finger Guard Accessory's

Product	Guard Type	Fan Size	Weight (g)
N/A			
N/A			
N/A			

Additional Information

Box Quantity:	3
Weight Per Box:	9.45 KG
Size Per Box:	63×62×31

Highland Axial AC Fan

Part Number: **HIG-A280SM230H05I54K**

Features:

Size (mm): 280 x 280 x 80

Maintenance-Free Ball Bearings

Aluminum Housing, Steel Impeller

Insulation Class B, IP54

Thermally Protected (Auto Restart)

230 VAC



Product Description

Highland 280mm x 280mm Square 80mm Thick Axial Fan with Steel (Metal) Impeller, 230 VAC, High Speed, AC Induction Capacitor Motor, IP54 Protection with Terminal Block

General Specification

Fan Type	Axial
Operating Voltage	230 VAC
Hz	50/60
Speed (RPM)	2650/2900
Airflow - CFM	1090/1200
Airflow - cubic m ³ /hr	1851.922/2038.813
Airflow - m ³ /s	0.514/0.566
Pressure - mmH ² O	24.5/20.5
Pressure - inchH ² O	0.965/0.807
Pressure - Pa	240.263/201.037
Noise dB	70/73
Operating Temperature	-20°C to +70°C
Expected Life (H)	70K @ 25 / 45K @ 40 Degrees Centigrade
Weight (g)	3150
Tariff Code	8414.59.6590

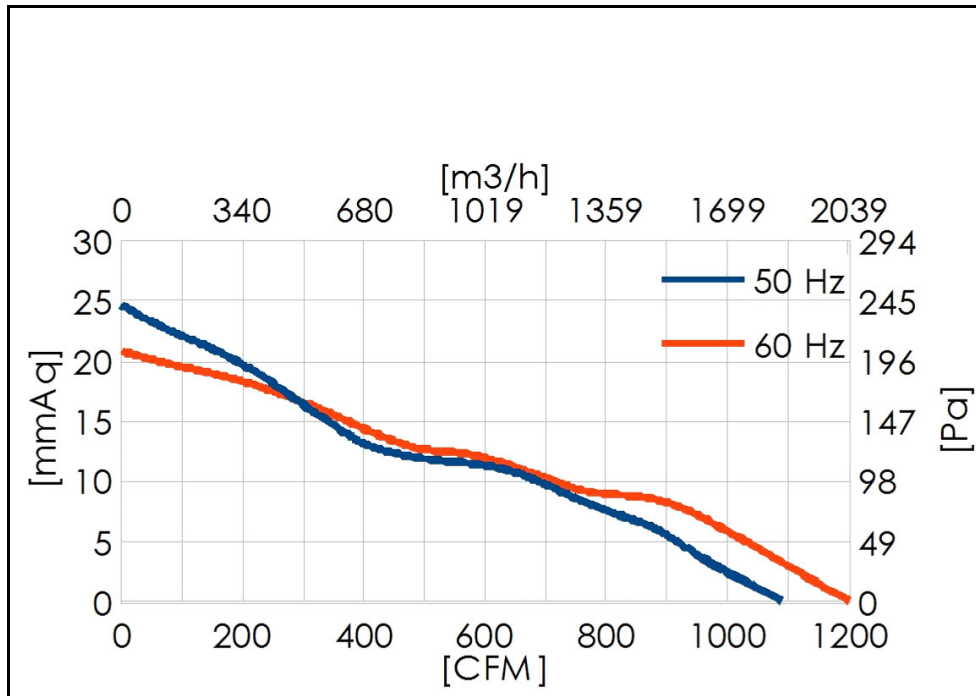
Mechanical Specifications

Fan Size	280 x 280 x 80
Frame Material	Aluminium
Impeller	Steel (Metal) Impeller

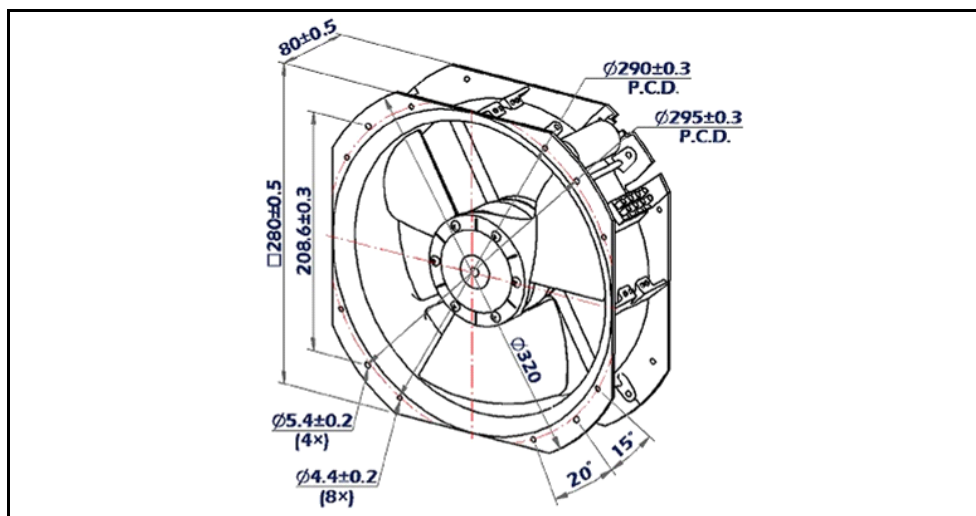
Approvals and Certificates

Approvals	CE	Y
	TUV	Y
	RoSH	Y
	UL	Y

Airflow Graph



Dimensional Drawing (mm)



Similar Products

Product	Size	Impeller Material	Speed	Noise	Weight
HIG-A280SM115H05I54K	280 x 280 x 80	Steel (Metal) Impeller	2650/2900	70/73	3150
HIG-A280SM230H05I54K.D	280 x 280 x 80	Steel (Metal) Impeller	2650/2900	70/73	3150
N/A					
N/A					
N/A					

Finger Guard Accessory's

Product	Guard Type	Fan Size	Weight (g)
N/A			
N/A			
N/A			

Additional Information

Box Quantity:	6
Weight Per Box:	18.9 KG
Size Per Box:	63×31×31