

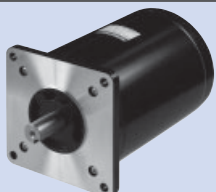


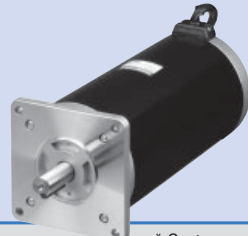
Lineup

Stepping Motors RoHS

These motors can be purchased as a single item.

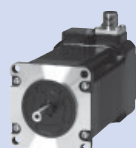
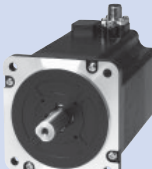
Full step angle	Motor size	Holding torque [N·m] Model no.	Custom options *	Page
1.8°	14 mm sq. Ultra-compact	0.0065 to 0.01 SH214□-5□□1	Hollow shaft Custom shaft	p. 36
	28 mm sq.	0.055 to 0.145 SH228□-5□□1	Hollow shaft Custom shaft Gear Encoder	p. 37 to 38
	35 mm sq.	0.12 to 0.32 SH35□□-1□□□0	Hollow shaft Custom shaft	p. 39 to 40
0.9°	42 mm sq.	0.2 to 0.48 SH142□-□□□1	Hollow shaft Custom shaft Gear Encoder	p. 41 to 42
1.8°	42 mm sq. Thin-profile	0.083 to 0.186 SS242□-50□□□	Hollow shaft Custom shaft Encoder	p. 43
	42 mm sq.	0.22 to 0.8 SF242□-1□□□1	Custom shaft Gear Encoder Brake	p. 44 to 45
	50 mm sq.	0.28 to 0.53 103H670□-□□□0	Hollow shaft Custom shaft Encoder	p. 46 to 48
	50 mm sq. Thin-profile	0.1 to 0.215 SS250□-80□□0	Hollow shaft Custom shaft	p. 49
	56 mm sq. UL models	0.53 to 2.5 SM256□C□0□□1	Hollow shaft Custom shaft Gear Encoder Brake	p. 50 to 55
	60 mm sq.	It is recommended you use a 56 mm sq. motor (SM256 □ C □ 0 □ □ 1).		
0.9°	60 mm sq.	0.57 to 2.15 SH160□-□□□0	Hollow shaft Custom shaft Gear Encoder	p. 56 to 57
1.8°	86 mm sq.	2.5 to 9 SH286□-□□□1	Hollow shaft Custom shaft Encoder Brake	p. 58 to 61

* Custom options vary depending on the model number and quantity. Contact us for details.

Full step angle	Motor size	Holding torque [N·m] Model no.	Custom options *	Page
1.8°	 ∅106 mm	10.8 to 19 103H8922□-□□□1	Hollow shaft Custom shaft Brake	p. 62
	 56 mm sq. CE/UKCA	0.39 to 1.27 103H712□-6□□0	Hollow shaft Custom shaft	p. 63
	 86 mm sq. CE/UKCA/UL	2.5 to 9 SM286□-□□□□	Hollow shaft Custom shaft	p. 64 to 67
	 ∅106 mm CE/UKCA	13.2 to 19 103H8922□-63□1	Hollow shaft Custom shaft	p. 68

* Custom options vary depending on the model number and quantity. Contact us for details.


IP65-Rated Stepping Motors Water and dust protection RoHS

Fundamental frequency Step angle	Motor size	Holding torque [N·m] Model no.	Custom options *	Page
1.8°	 56 mm sq. CE/UKCA/UL	1 to 1.7 SP256□-5□□0	Custom shaft	p. 73 to 74
	 86 mm sq. CE/UKCA/UL	3.3 to 9 SP286□-5□□0	Custom shaft	p. 75 to 76

In-Vacuum Stepping Motors Custom product

Motor size	Page
 42 mm sq. to ∅106 mm	p. 77

Synchronous Motors Custom product

Motor size	Page
 56 mm sq. to ∅106 mm	p. 77