

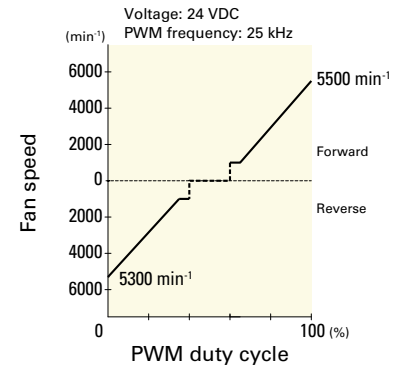
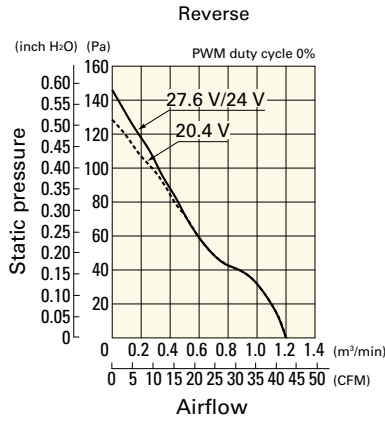
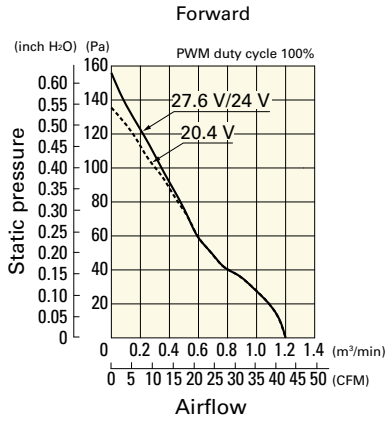
Airflow - Static Pressure Characteristics / PWM Duty - Speed Characteristics Example

9RF0924P1H001 With pulse sensor with PWM control function

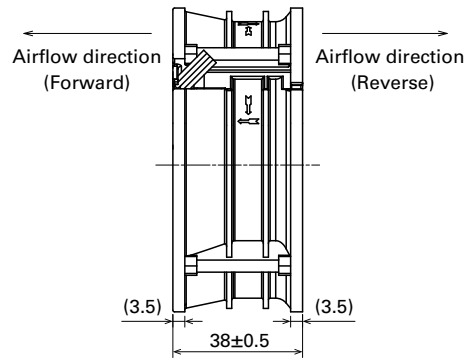
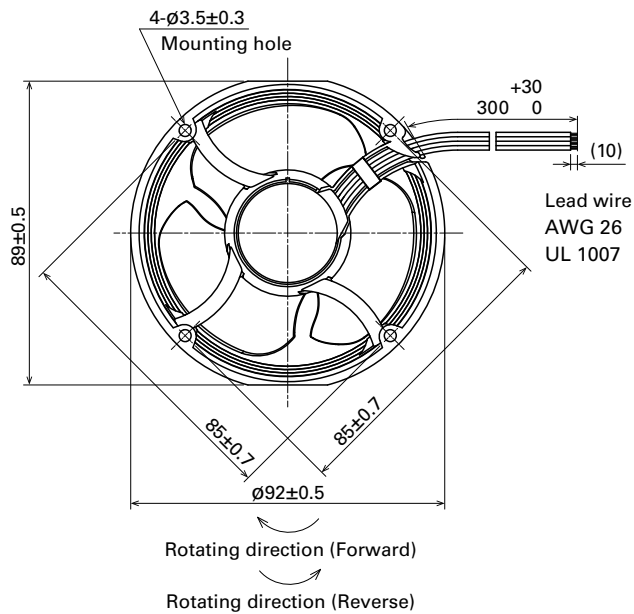
Operating voltage range

Operating voltage range

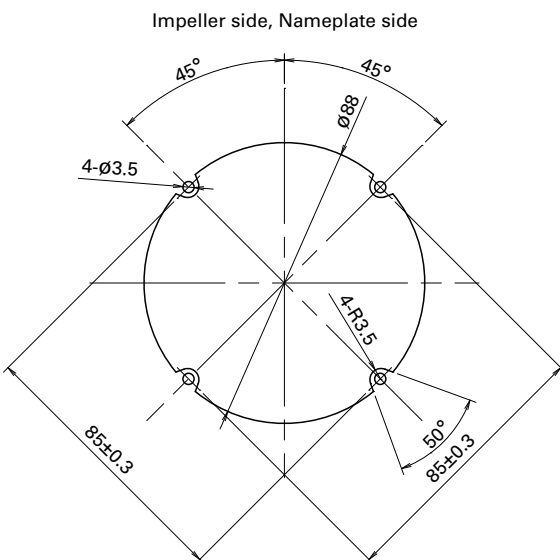
PWM duty - Speed characteristics example



Dimensions (unit: mm)



Reference Dimensions of Mounting Holes and Vent Opening (unit: mm)



DC Reversible Flow Fan ϕ 92 mm

Options

Finger guards

page: p. 564

Model no.: 109-1147

DC

Reversible Flow Fan 92 mm