

60mm sq.

San Ace 60

51mm thick (CR type), 76mm thick (CRA type)
76mm thick (CR type)



General Specifications With a pulse sensor Specifications for pulse sensors ⇔ Refer to Page 309

- Material Frame: Plastics (Flammability: UL94V-0),
Impeller: Plastics (Flammability: UL94V-1)
- Expected Life Varies for each model (L10: Survival rate: 90% at 60°C, rated voltage, and continuously run in a free air state)
- Lead Wire Inlet ⊕red ⊖black Sensor yellow
Outlet ⊕orange ⊖gray Sensor purple
- Storage Temperature -30°C to +70°C (Non-condensing)

60×60×76mm (Mass : 230g)

CR type

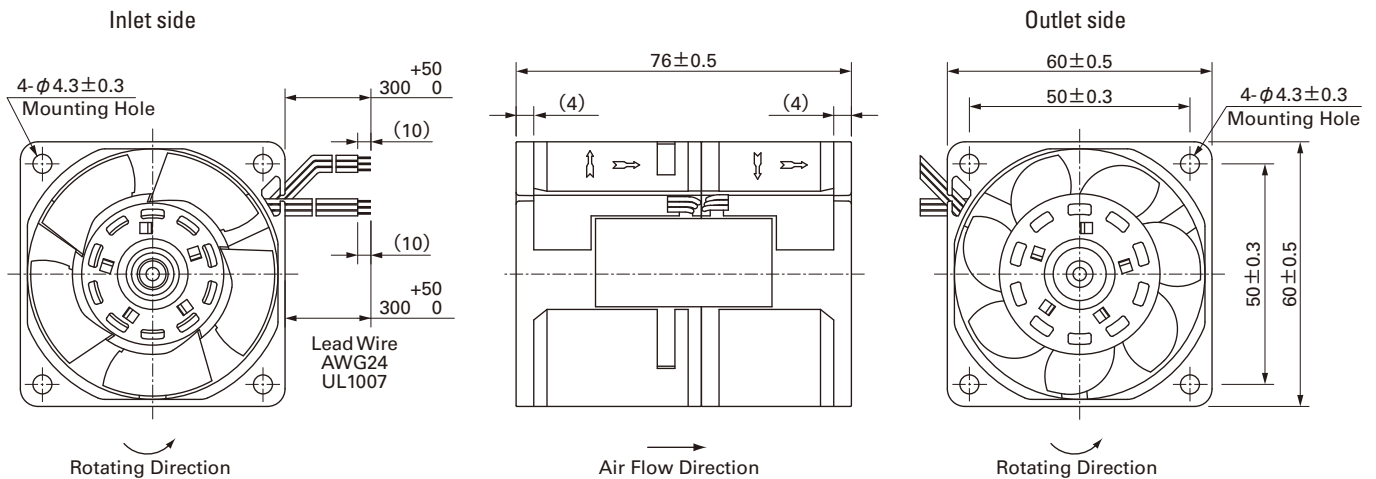
Specifications

Model No.	Rated Voltage [V]	Operating Voltage Range [V]	Rated Current [A]	Rated Input [W]	Rated Speed [min ⁻¹]		Max. Air Flow [m ³ /min] [CFM]		Max. Static Pressure [Pa] [inchH ₂ O]		SPL [dB(A)]	Operating Temperature [°C]	Expected Life [h]
					Inlet	Outlet							
9CR0612S001	12	10.8 to 13.2	3.2	38.4	11,500	7,000	2.26	80	550	2.21	66	-10 to +60	40,000
9CR0612H001			2.7	32.4	10,300	6,500	1.98	70	450	1.81	64		

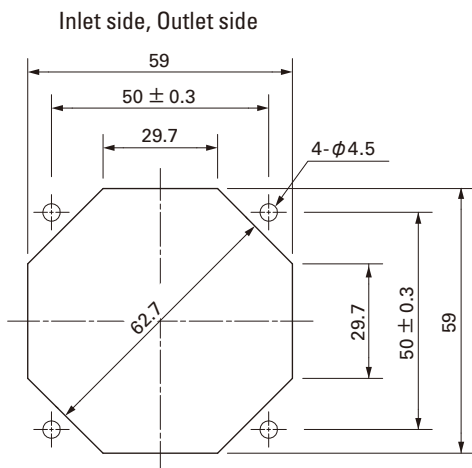
Without Sensor Pulse Sensor Available upon request for all the models above.

Lock Sensor PWM Control Please inquire as the availability of these functions depend on the model.

Dimensions (Unit : mm)



Reference dimension of mounting holes and vent opening (Unit : mm)

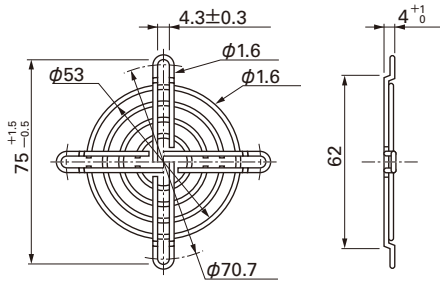


Options (Unit : mm)

Finger guards

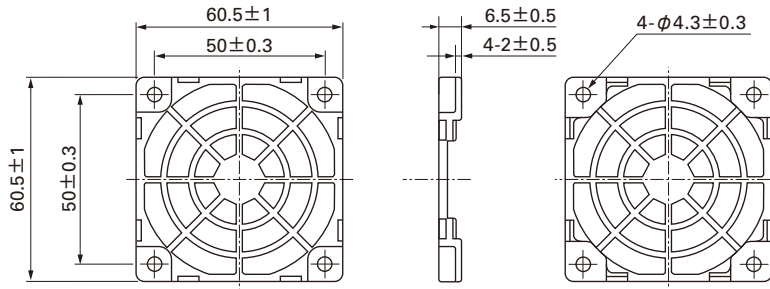
Model : 109-139E Surface treatment : Nickel-chrome plating (silver) Color : 109-139H : Cation electropainting (black)

Inlet side, Outlet side



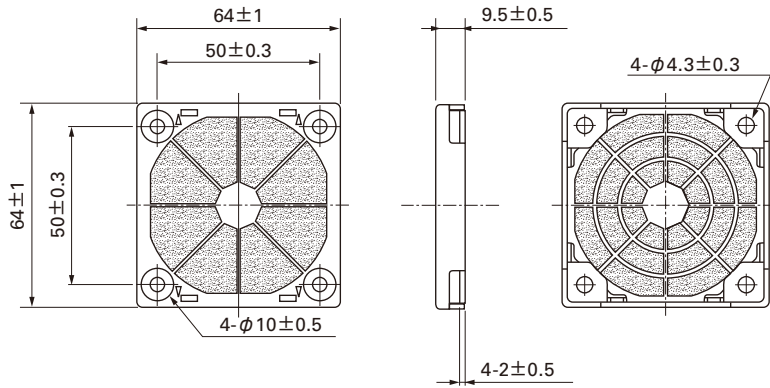
Resin finger guards

Model : 109-1003G

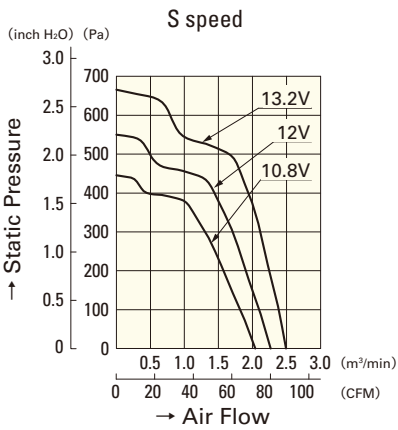


Resin filter kits

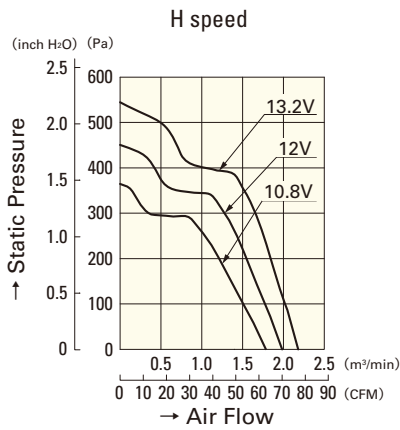
Model : 109-1003F13 (13PPI), 109-1003F20 (20PPI)
: 109-1003F30 (30PPI), 109-1003F40 (40PPI)



Air Flow - Static Pressure Characteristics



9CR0612S001



9CR0612H001

Mouser Electronics

Authorized Distributor

Click to View Pricing, Inventory, Delivery & Lifecycle Information:

[Sanyo Denki:](#)

[9CR0612H001](#) [9CR0612S001](#) [9CR0612P0S03](#) [9CR0612P0H03](#)