

# 140×140×38 mm



**San Ace 140 9P** type

## General Specifications

- Material ..... Frame: Plastic (Flammability: UL 94V-0), Impeller: Plastic (Flammability: UL 94V-1)
- Expected life ..... See the table below. (L10 life: 90% survival rate for continuous operation in free air at 60°C, rated voltage)  
Expected life at 40°C is for reference only.
- Motor protection function ..... Locked rotor burnout protection, Reverse polarity protection  
For details, please refer to p. 580.
- Dielectric strength ..... 50/60 Hz, 500 VAC, for 1 minute (between lead wire conductors and frame)
- Insulation resistance ..... 10 MΩ min. at 500 VDC (between lead wire conductors and frame)
- Sound pressure level (SPL) ..... A-weighted sound pressure level (SPL) at 1 m away from the air inlet.
- Storage temperature ..... -30 to +70°C (Non-condensing)
- Lead wire ..... ⊕Red ⊖Black or Blue Sensor Yellow
- Mass ..... 450 g

## Specifications

The models listed below **have ribs and pulse sensors.**

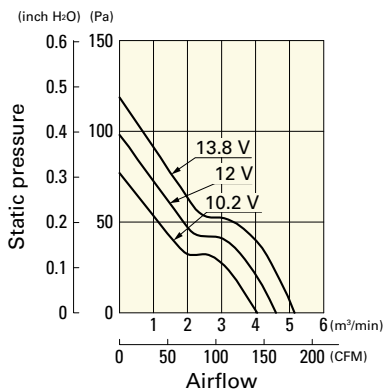
Model no.	Rated voltage [V]	Operating voltage range [V]	Rated current [A]	Rated input [W]	Rated speed [min <sup>-1</sup> ]	Max. airflow [m <sup>3</sup> /min] [CFM]	Max. static pressure [Pa] [inchH <sub>2</sub> O]	SPL [dB (A)]	Operating temperature [°C]	Expected life [h]
<b>109P1412H101</b>	12	10.2 to 13.8	0.73	8.76	2600	4.5 159	94 0.378	46	-20 to +70	40000/60°C (70000/40°C)
<b>109P1412M101</b>			0.33	3.96	1900	3.3 117	52 0.209	38		
<b>109P1424H101</b>	24	20.4 to 27.6	0.37	8.88	2600	4.5 159	94 0.378	46		
<b>109P1424M101</b>			0.16	3.84	1900	3.3 117	52 0.209	38		
<b>109P1448H101</b>	48	40.8 to 55.2	0.2	9.6	2600	4.5 159	94 0.378	46		
<b>109P1448M101</b>			0.09	4.32	1900	3.3 117	52 0.209	38		

Note: Sensor and control options are available for selection. Refer to the table on p. 604.

## Airflow - Static Pressure Characteristics

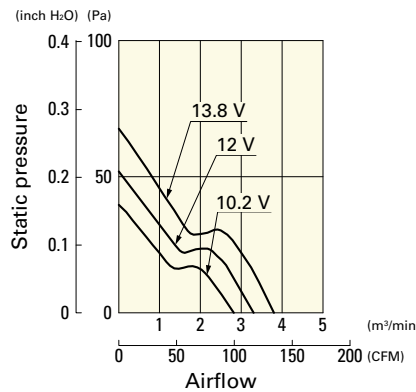
**109P1412H101** With pulse sensor

Operating voltage range



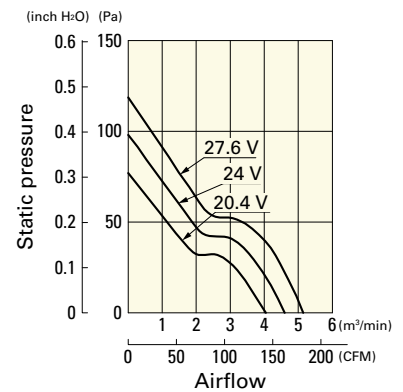
**109P1412M101** With pulse sensor

Operating voltage range



**109P1424H101** With pulse sensor

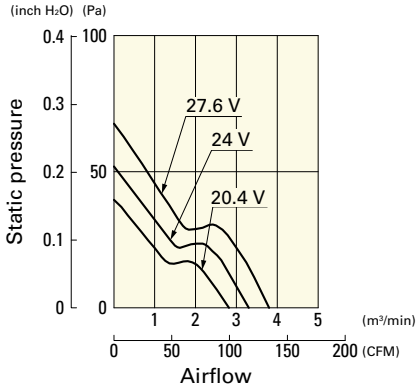
Operating voltage range



## Airflow - Static Pressure Characteristics

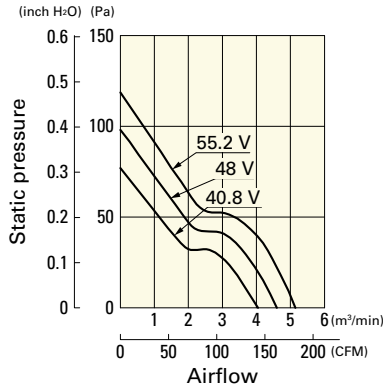
**109P1424M101** With pulse sensor

Operating voltage range



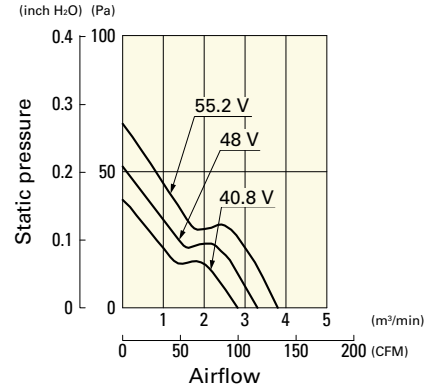
**109P1448H101** With pulse sensor

Operating voltage range

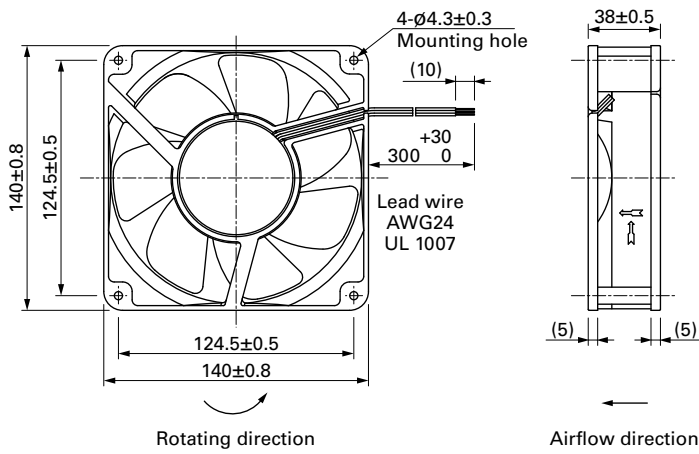


**109P1448M101** With pulse sensor

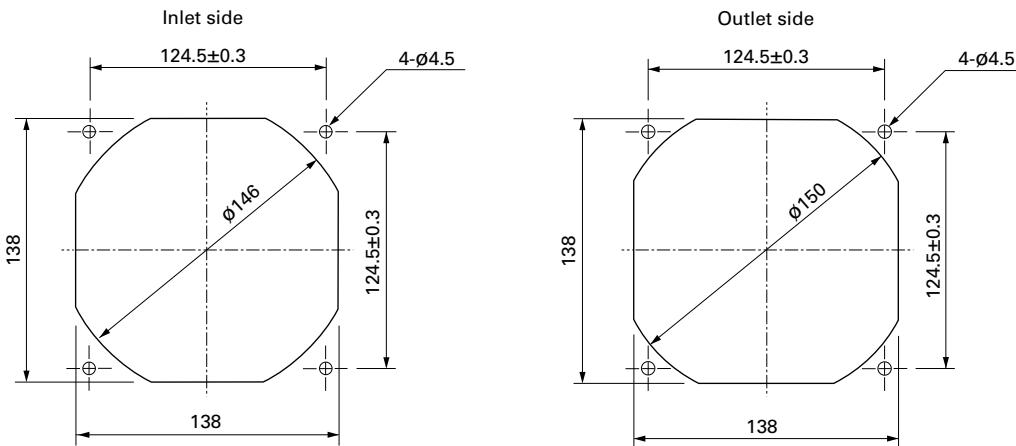
Operating voltage range



## Dimensions (unit: mm)



## Reference Dimensions of Mounting Holes and Vent Opening (unit: mm)



## Options

Finger guards

page: p. 565

Model no.: 109-719, 109-719H